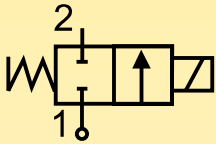


# Solenoid valves for steam and high temperatures

2/2 way - Normally Closed - Direct Operated

Fittings: G = 1/4"

Series **126**

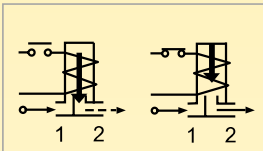


**N.C.**

**Normally closed**

Coil energised - open

Coil de-energised - closed



## General description:

PARKER series 126 solenoid valves are direct operated and do not require a minimum differential pressure to operate.

They are used **with steam and superheated water**.

Series 126 valves are **normally closed**.

## Temperatures:

The working temperature for media is: **+140°C** for models with an ethylene propylene seal (EPDM) and **+180°C** for the version with a Teflon seal (PTFE).

The minimum temperature of media is

**-10°C**

The maximum ambient temperature is:

with class "F" coils **+50°C**

with class "H" coils **+80°C**

## Application:

Series 126 solenoid valves are ideal for automatic control of steam and superheated water in applications such as:

- Steam generators;
- Sterilisers;
- Autoclaves;
- Espresso coffee machines;
- Drink dispensers;
- Furnaces;
- Ironing boards and presses.

## Coils:

For series 126 valves class "F" coils (**155°C**) are available encapsulated in thermoplastic containing 30% glass fiber (types ZB, YB) and class "H" coils (**180°C**) are available encapsulated in thermoplastic containing 40% of glass fiber (type ZH).

All the coils are for continuous service, 100% E.D.

The rated voltage tolerance is:

**±10% for A.C.** power supply and

**+10% -5% for D.C.**

The "Z" and "Y" coils can be used on a.c. with a frequency of 50/60 Hz (dual-frequency).

The "Z" coils have Faston terminals for **DIN 43650A** connectors with protection to **IP65**.

The "Y" coil has terminals with 2 x 1,000 mm cables with protection to **IP67**.

## Installation:

The valves can be mounted in any position without jeopardising their operation. It is however advisable to install them with the coil in a vertical position above the body. The valve body has a M4 x 8 mounting hole.

## Approvals:



• For the coils:  
**ZB 09** 115V/50-60Hz, 220-230V/50-60Hz, 240V/50-60Hz

**ZH 09** 24V/50-60Hz

**ZH 12** 12V DC, 24V DC

**YB 09** 220-230V/50-60Hz



• For the coils:  
**ZB 09** 220-230V/50-60Hz, 240V/50-60Hz  
**YB 09** 220-230V/50-60Hz



• UL Recognized Comp. coils mark:  
**ZB 09** 24V/60Hz, 110-120V/60Hz, 208-240V/60Hz  
**YB 09** 24V/60Hz, 110-120V/60Hz, 208-240V/60Hz



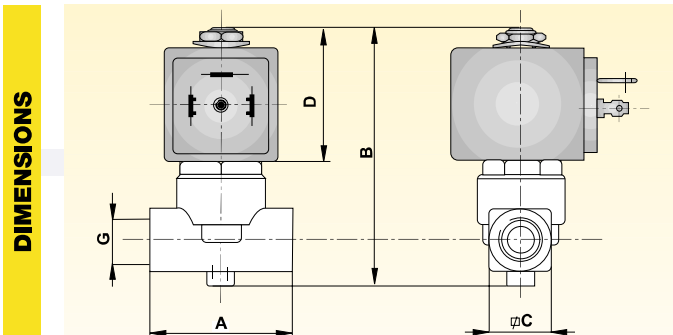
Series **126**

<b>MATERIALS</b>	• Valve body:	CW617N UNI EN 12165:98 brass stamping
	• Seals:	EPDM - PTFE (Teflon)
	• Enclosing tube:	AISI 304 stainless steel
	• Plunger:	AISI 430F stainless steel
	• Spring:	AISI 302 stainless steel
	• Shading ring:	Copper
	• Fitted sit:	AISI 304 stainless steel

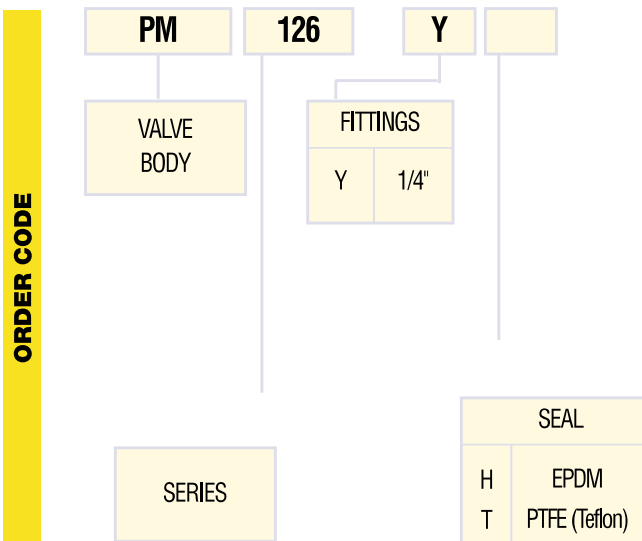
<b>ELECTRICAL FEATURES</b>	Coil type [ ]		Power [ W ]		Insulat. class
	A.C.(~)	D.C.(=)	A.C.(~)	D.C.(=)	
	ZB 09	ZB 12	9	12	F
	YB 09	YB 12	9	12	F
	ZH 09	ZH 12	9	12	F
	ZH 14	ZH 16	14	16	H

<b>SPECIFICATION</b>	Fittings Ø G	Valve type	Nominal orifice Ø	Flow coefficient Kv	Minimum pressure	Max differential pressure (M.O.P.D.)		Coil type	Weight	Notes
	[ " ]	[ ]	[mm]	[m³/h]	[bar]	in A.C.(~) [bar]	in D.C.(=) [bar]	[ ]	[Kg]	[ ]
	1/4	126 YH	3,0	0,25	0	10	6	YB - ZB	0,33	1 - 2
	1/4	126 YT	3,0	0,25	0	10	10	ZH	0,33	2

Note: 1) Maximum pressure for steam 4 bar (140°C). 2) NP (nominal pressure): 25 bar.



Fittings Ø G	A	B	C	D
[ " ]	[mm]	[mm]	[mm]	[mm]
1/4	40	75,5	18	37,5



		[V]				[Hz]/d.c.	
Coil type	24 V 50/60 Hz	115V 50/60 Hz	220-230 V 50/60 Hz	240 V 50/60 Hz	12 V d.c.	24 V d.c.	
ZB 09	●	●	●	●			
ZH 09	●						
ZB 12					●	●	
ZH 12					●	●	
YB 09	●	●	●				
YB 12					●	●	
ZH 14	●	●	●				
ZH 16					●	●	
Coil type	24 V / 60 Hz	110-120 V / 60 Hz	208-240 V / 60 Hz				
ZB 09 UL	●	●	●				
YB 09 UL	●						

Note: Valve supplied with body (PM) and coil separate. Connectors to be ordered separately.