

3, 4, 5 WAY FLANGED BALL VALVE

H6FPN16-HL

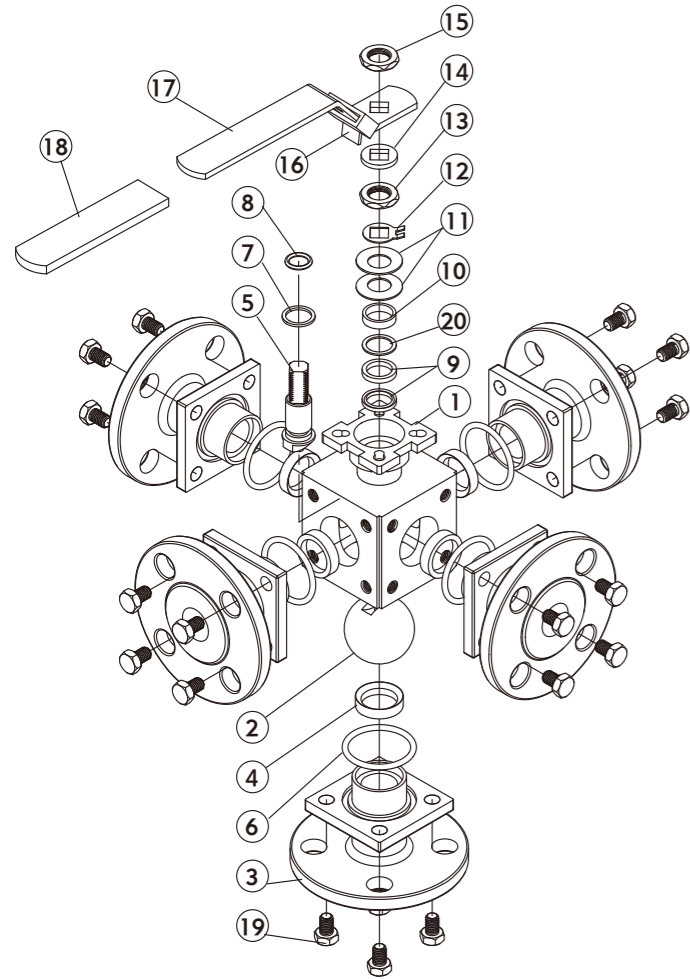


FEATURES

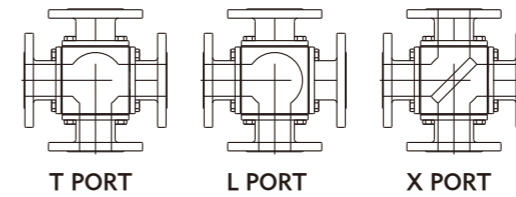
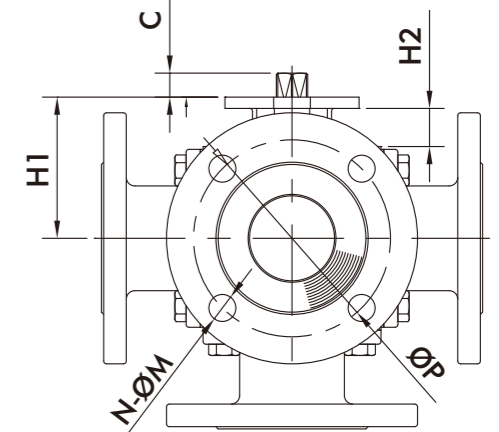
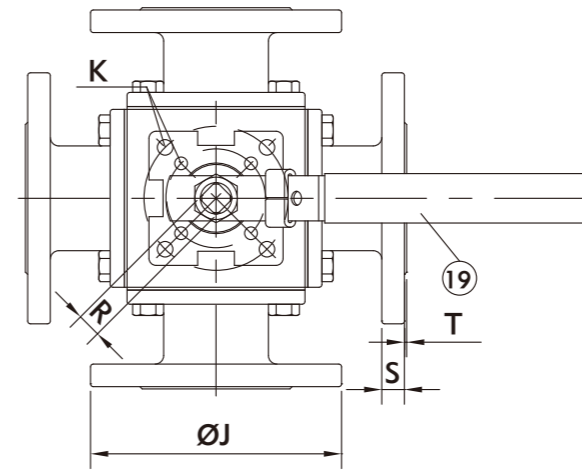
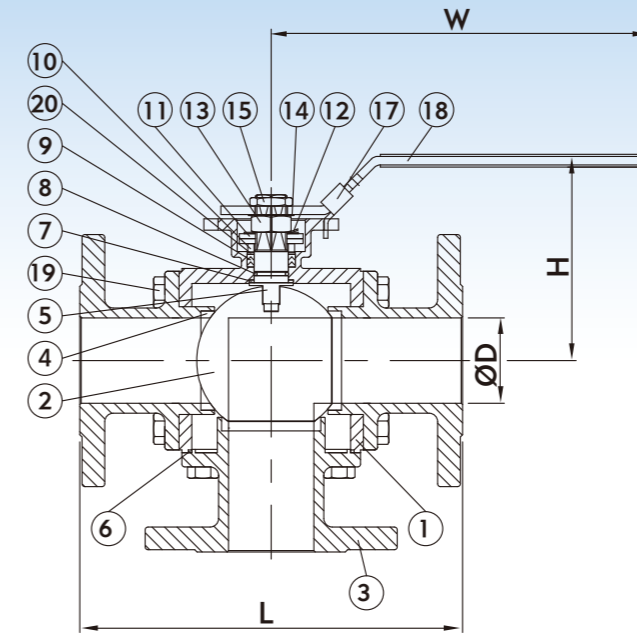
- STANDARD PORT
- INVESTMENT CASTING
- MATERIAL: EN10213-1.4408, EN10213-1.4308
EN10213-1.4409, EN10213-1.0619
- WORKING PRESSURE: DIN PN16
- FLANGE DIMENSION: DIN2543
- FACE TO FACE: F1 (1/2"~2") / F15 (2-1/2"~4")
- SIZE RANGING: 1/2"~4" (DN15~DN100)
1/2"~1-1/2" (DN15~DN40) ARE
COMMON TYPE WITH PN40
1-1/4" (DN32) IS NOT AVAILABLE
- BALL OPTIONS: L PORT / T PORT / X PORT
- WITH ISO 5211 DIRECT MOUNTING PAD
- WITH LOCKING DEVICE

MATERIALS LIST

| NO. | DESCRIPTION | QTY | MATERIAL | |
|-----|-------------------|-----|----------------|---------------|
| 1 | BODY | 1 | ASTM-A351-CF8M | ASTM-A216-WCB |
| 2 | BALL | 1 | ASTM-A351-CF8M | ASTM-A351-CF8 |
| 3 | CAP | 5 | ASTM-A351-CF8M | ASTM-A216-WCB |
| 4 | SEAT | 5 | PTFE | PTFE |
| 5 | STEM | 1 | SUS 316 | SUS 304 |
| 6 | JOINT GASKET | 5 | VITON | VITON |
| 7 | THRUST WASHER | 1 | PTFE | PTFE |
| 8 | O-RING OF STEM | 1 | VITON | VITON |
| 9 | STEM PACKING | 1 | PTFE | PTFE |
| 10 | GLAND BUSH | 1 | SUS 304 | SUS 304 |
| 11 | BELLEVILLE WASHER | 2 | SUS 301 | SUS 301 |
| 12 | STOP WASHER | 1 | SUS 304 | SUS 304 |
| 13 | STEM NUT | 1 | SUS 304 | SUS 304 |
| 14 | SQUARE WASHER | 1 | SUS 304 | SUS 304 |
| 15 | HANDLE NUT | 1 | SUS 304 | SUS 304 |
| 16 | LOCKING PAD | 1 | SUS 304 | SUS 304 |
| 17 | HANDLE | 1 | SUS 304 | SUS 304 |
| 18 | HANDLE COVER | 1 | PLASTIC | PLASTIC |
| 19 | BOLT | 20 | SUS 304 | SUS 304 |
| 20 | THRUST WASHER | 1 | PTFE 15% | PTFE 15% |



3, 4, 5 WAY FLANGED BALL VALVE



| TURN PORT | 0° | 90° | 180° | 270° |
|-----------|----|-----|------|------|
| L | | | | |
| T | | | | |
| X | | | | |

DIMENSION

| SIZE | C | ØD | H | H1 | H2 | ØJ | K | L | ØM | N | ØP | R | S | T | W |
|--------|----|------|-------|------|------|-----|---------|-----|----|---|-----|----|----|---|-----|
| 1/2" | 9 | 12.5 | 82 | 48 | 18.5 | 95 | F03/F04 | 130 | 14 | 4 | 65 | 9 | 16 | 2 | 135 |
| 3/4" | 9 | 15.8 | 87 | 53 | 20 | 100 | F03/F04 | 150 | 14 | 4 | 75 | 9 | 18 | 2 | 135 |
| 1" | 11 | 22.2 | 97 | 63 | 23 | 115 | F04/F05 | 160 | 14 | 4 | 85 | 11 | 18 | 2 | 200 |
| 1-1/2" | 14 | 35 | 110.5 | 75.5 | 23.5 | 150 | F05/F07 | 200 | 18 | 4 | 110 | 14 | 18 | 3 | 220 |
| 2" | 14 | 47.5 | 118 | 83 | 21 | 165 | F05/F07 | 230 | 18 | 4 | 125 | 14 | 20 | 3 | 240 |
| 2-1/2" | 17 | 60.2 | 135 | 100 | 27 | 185 | F07/F10 | 270 | 18 | 4 | 145 | 17 | 18 | 3 | 460 |
| 3" | 17 | 73 | 160 | 125 | 37.5 | 200 | F07/F10 | 280 | 18 | 8 | 160 | 17 | 20 | 3 | 460 |
| 4" | 22 | 80 | 184 | 135 | 38.5 | 220 | F10/F12 | 330 | 18 | 8 | 180 | 22 | 20 | 3 | 500 |

UNIT:MM