

# 3, 4, 5 WAY FLANGED BALL VALVE

## H6FC150-HL

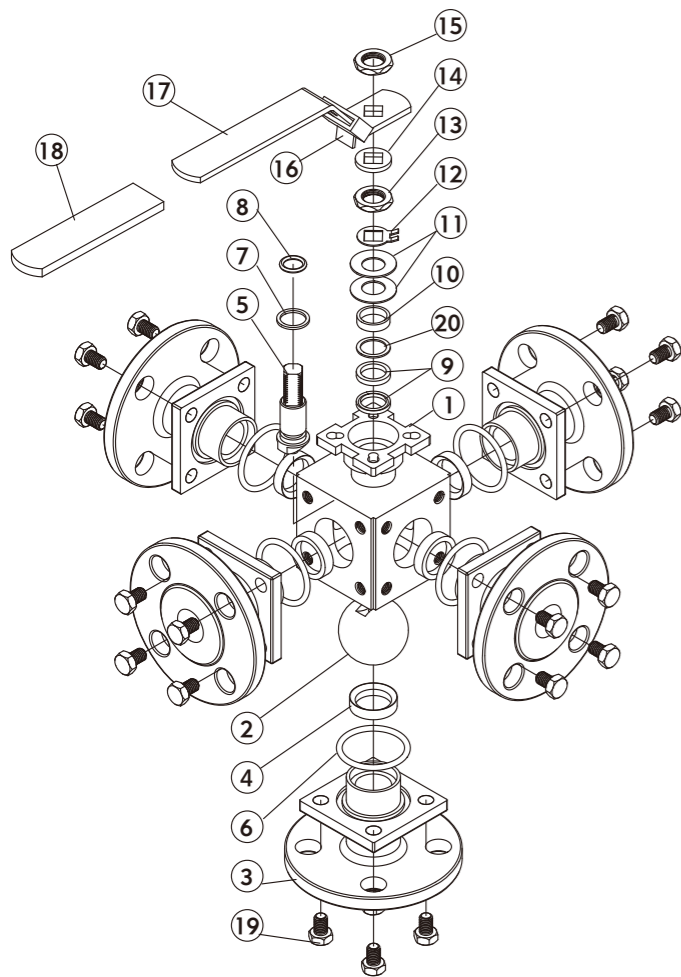


### FEATURES

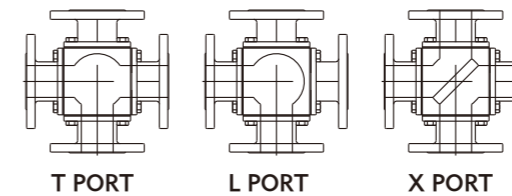
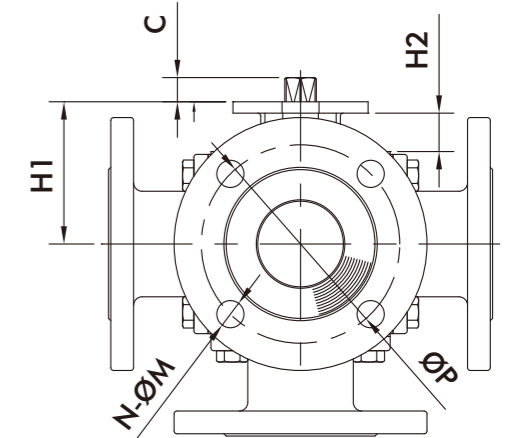
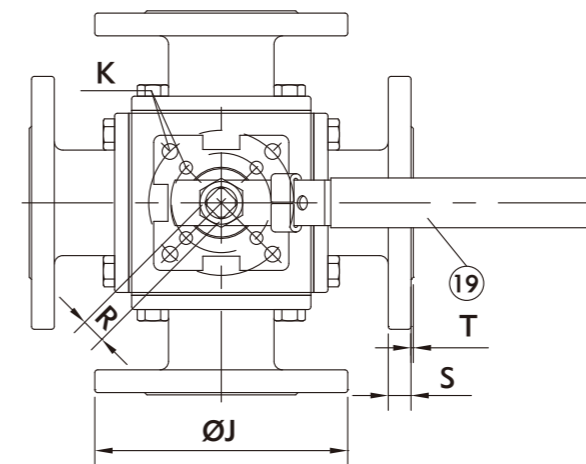
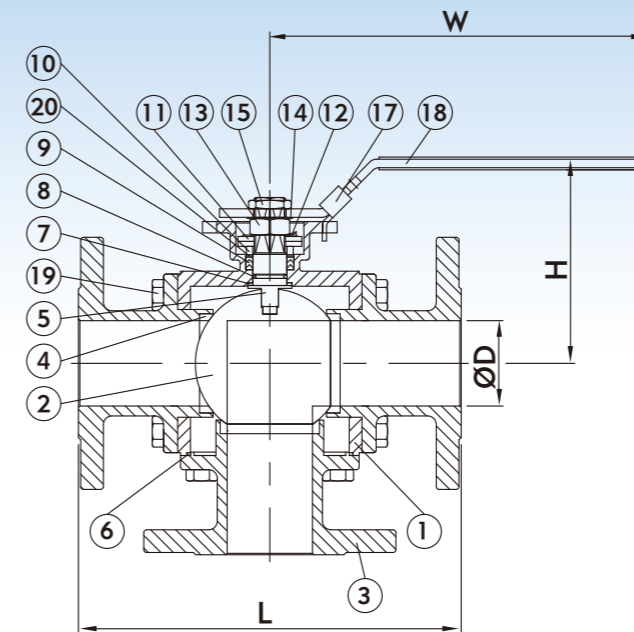
- STANDARD PORT
- INVESTMENT CASTING
- MATERIAL: ASTM-A351-CF8M, ASTM-A351-CF8  
ASTM-A351-CF3M, ASTM-A216-WCB
- WORKING PRESSURE: ANSI CLASS 150
- FLANGE DIMENSION: ANSI B16.5
- FACE TO FACE: F1 (1/2"~2") / F15 (2-1/2"~4")
- SIZE RANGING: 1/2"~4" (DN15~DN100)  
1-1/4" (DN32) IS NOT AVAILABLE
- BALL OPTIONS: L PORT / T PORT / X PORT
- WITH ISO 5211 DIRECT MOUNTING PAD
- WITH LOCKING DEVICE

### MATERIALS LIST

NO.	DESCRIPTION	Q'TY	MATERIAL	
1	BODY	1	ASTM-A351-CF8M	ASTM-A216-WCB
2	BALL	1	ASTM-A351-CF8M	ASTM-A351-CF8
3	CAP	5	ASTM-A351-CF8M	ASTM-A216-WCB
4	SEAT	5	PTFE	PTFE
5	STEM	1	SUS 316	SUS 304
6	JOINT GASKET	5	VITON	VITON
7	THRUST WASHER	1	PTFE	PTFE
8	O-RING OF STEM	1	VITON	VITON
9	STEM PACKING	1	PTFE	PTFE
10	GLAND BUSH	1	SUS 304	SUS 304
11	BELLEVILLE WASHER	2	SUS 301	SUS 301
12	STOP WASHER	1	SUS 304	SUS 304
13	STEM NUT	1	SUS 304	SUS 304
14	SQUARE WASHER	1	SUS 304	SUS 304
15	HANDLE NUT	1	SUS 304	SUS 304
16	LOCKING PAD	1	SUS 304	SUS 304
17	HANDLE	1	SUS 304	SUS 304
18	HANDLE COVER	1	PLASTIC	PLASTIC
19	BOLT	20	SUS 304	SUS 304
20	THRUST WASHER	1	PTFE 15%	PTFE 15%



# 3, 4, 5 WAY FLANGED BALL VALVE



TURN PORT	0°	90°	180°	270°
L				
T				
X				

### DIMENSION

SIZE	C	ØD	H	H1	H2	ØJ	K	L	ØM	N	ØP	R	S	T	W	UNIT:MM
1/2"	9	12.5	82	48	18.5	89	F03/F04	130	15.9	4	60.5	9	11.2	1.6	135	
3/4"	9	15.8	87	53	20	98	F03/F04	150	15.9	4	70	9	11.2	1.6	135	
1"	11	22.2	97	63	23	108	F04/F05	160	15.9	4	79.5	11	11.2	1.6	200	
1-1/2"	14	35	110.5	75.5	23.5	127	F05/F07	200	15.9	4	98.5	14	14.3	1.6	220	
2"	14	47.5	118	83	21	152	F05/F07	230	19.1	4	120.5	14	15.9	1.6	240	
2-1/2"	17	60.2	135	100	27	178	F07/F10	270	19.1	4	140	17	17.5	1.6	460	
3"	17	73	160	125	37.5	190.5	F07/F10	280	19.1	4	152.5	17	19	1.6	460	
4"	22	80	184	135	38.5	229	F10/F12	330	19.1	8	190.5	22	23.8	1.6	500	