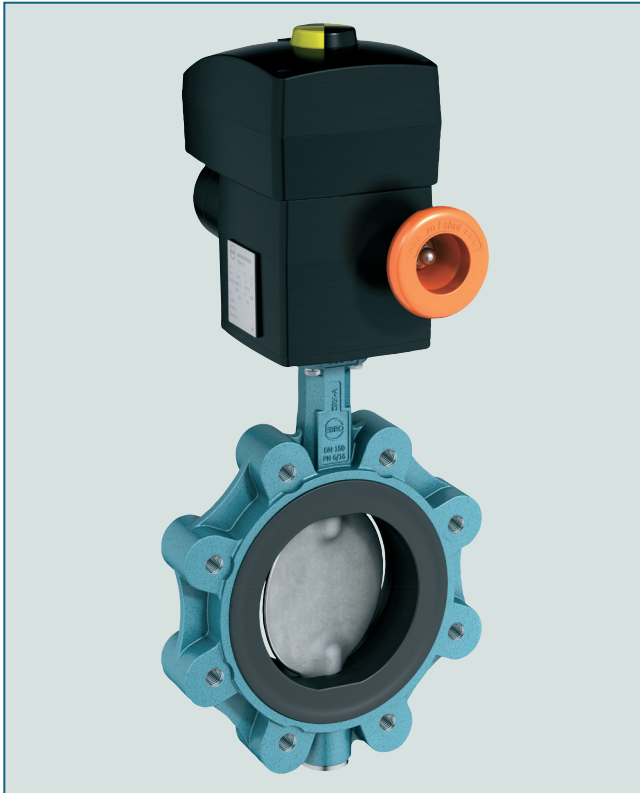


LUG TYPE BUTTERFLY VALVE Z 014-A



Lug type butterfly valve with threaded holes. This type enables the one-sided lugging of pipes.

TECHNICAL DATA

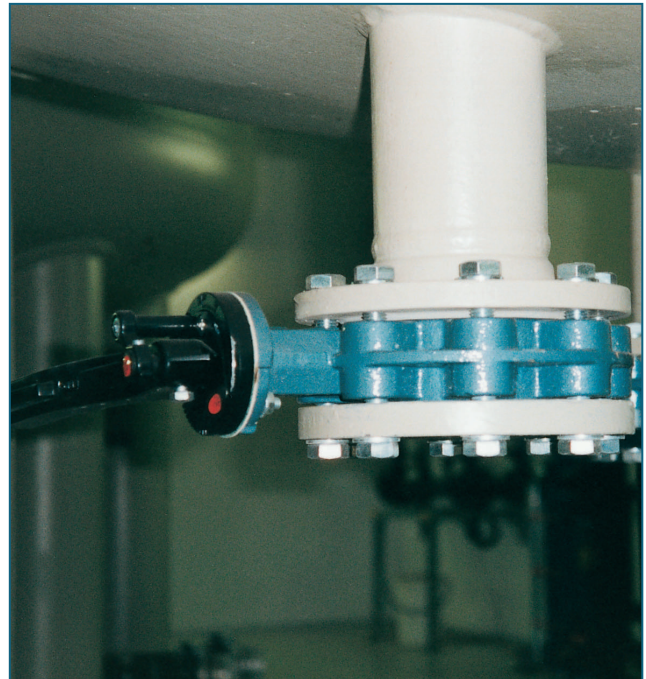
Nominal diameter:	DN 20 - DN 600 (DN 20 only PN10/16)
Face-to-face:	EN 558 Series 20 ISO 5752 Series 20 API 609 Table 1
Flange accommodation:	EN 1092 PN 6/10/16 ASME Class 150 AS 4087 PN 16
Flange Surface Design:	EN 1092 Form A/B ASME RF, FF
Top flange:	EN ISO 5211
Marking:	EN 19
Tightness check:	EN 12266 (Leakage rate A) ISO 5208, Category 3
Temperature range:	-40°C to +200°C (depending on pressure, medium and material)
Operating pressure:	max. 16 bar

FEATURES

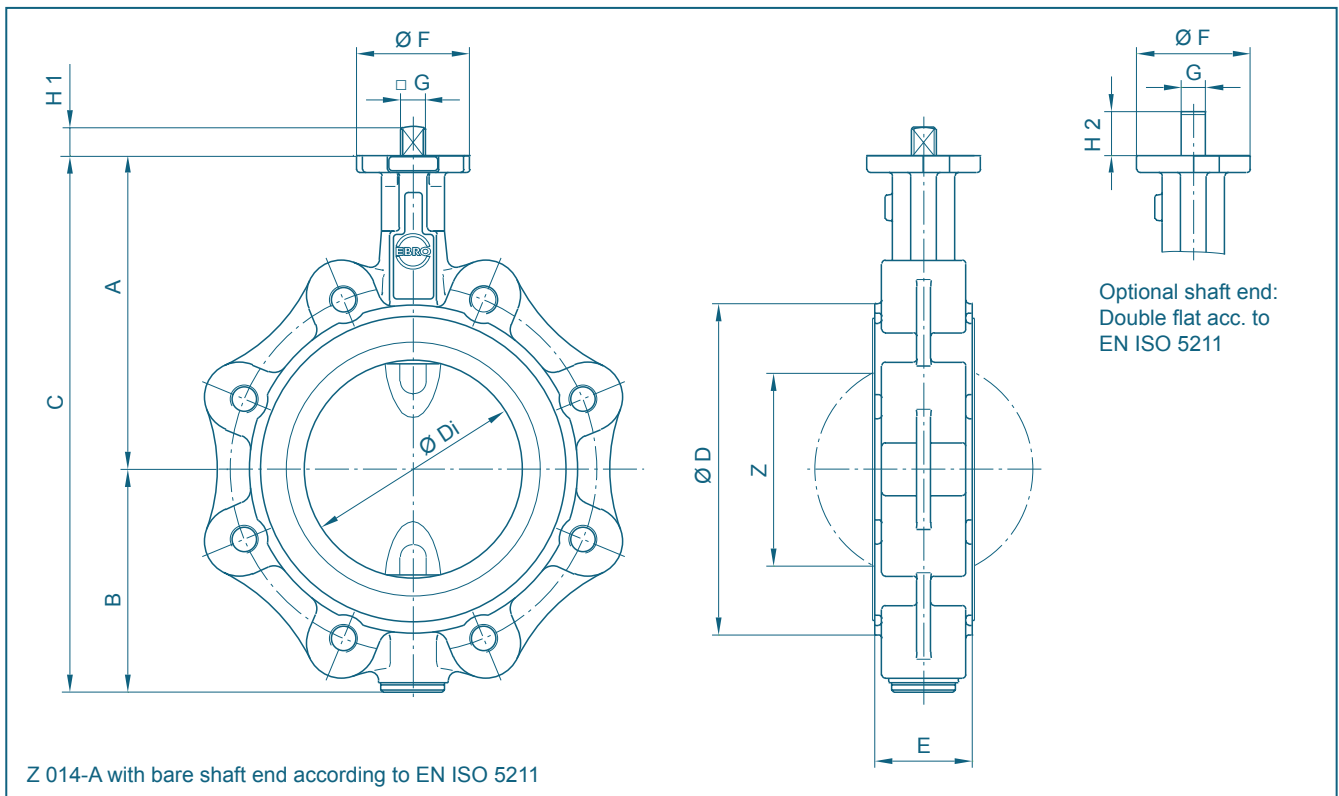
- Absolutely tight sealing with flow in either direction
- The valve body and disc are accurately machined which results in low operating torque and long service life and reliability
- Triple shaft bearings prevent shaft deflection and guarantee optimum guidance even after many years of operating service
- Can be disassembled, material-specific recycling possible
- Single flange mounting is possible
- Can be installed in any desired position
- Maintenance-free
- For paint and laquers, a silicone-free version is available

GENERAL APPLICATIONS

- Chemical and petrochemical industries
- Water and waste water technology
- Pneumatic materials handling technology
- Shipbuilding
- Power generation industry
- Food industry
- Civil engineering



LUG TYPE BUTTERFLY VALVE Z 014-A



DN [mm]	Size [in]	Dimensions [mm]												Weight[kg] (GG-25)	
		A	B	C	D	Di	E	F	Flange	G	H1	H2	Z	Splitted shaft	TS- shaft
20	¾	104	45	149	63	31,5	33	54	F04	11	12	19	-	2,1	-
25	1	104	45	149	63	31,5	33	54	F04	11	12	19	-	2,1	-
32	1¼	104	50	154	68	31,5	33	54	F04	11	12	19	-	2,1	-
40	1½	113	66	179	80	38	33	54	F04	11	12	19	22	4,0	-
50	2	126	84	210	95	48,5	43	54	F04	11	12	19	25	4,8	-
65	2½	134	93	227	115	63,5	46	54	F04	11	12	19	45	5,5	-
80	3	157	104	261	138	78,5	46	65	F05	14	16	25	65	8,6	9,1
100	4	167	115	282	158	98,5	52	65	F05	14	16	25	85	9,8	10,4
125	5	180	127	307	188	123,5	56	65	F05	14	16	25	111	10,1	10,7
150	6	203	150	353	210	148	56	90	F07	17	19	30	139	13,1	14,6
200	8	228	176	404	268	199	60	90	F07	17	19	30	190	18,8	20,6
250	10	266	212	478	320	248	68	125	F10	22	24	39	240	29,5	32,5
300	12	291	237	528	370	296	78	125	F10	22	24	39	287	37,0	40,5
350	14	332	269	601	408	338	78(92)**	150	F12	*	*	-	330	54,8	60,4
400	16	363	314	677	470	388	102	150	F12	*	*	-	378	81,5	87,3
450	18	397	335	732	530	430,5	114	210	F16	*	*	-	417	101,4	105,9
500	20	437	371	808	574	494,5	127	210	F14/F16	*	*	-	474	136,3	142,8
600	24	498	469	967	675	590	154	300	F16/F25	*	*	-	563	240,5	267,5

* According to mounted actuator

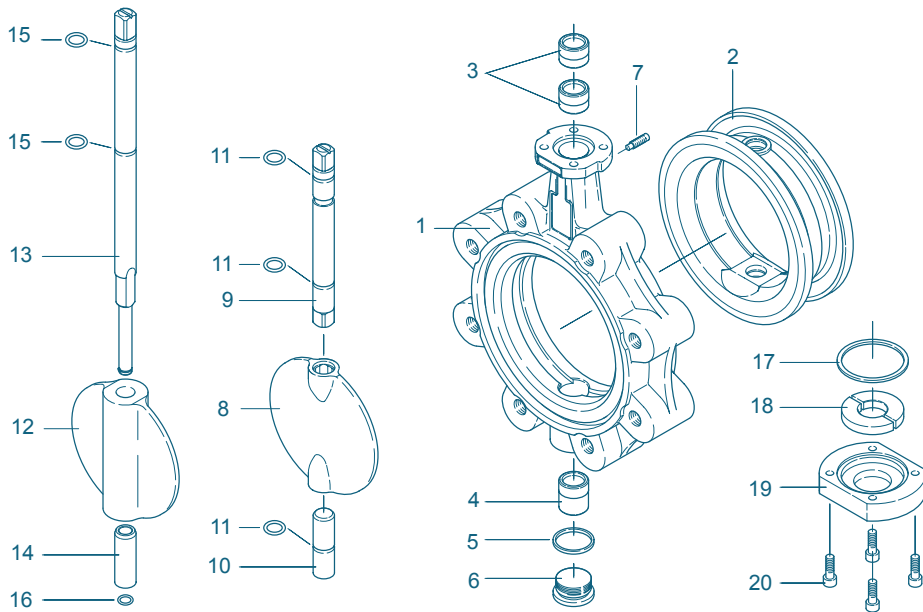
** Face to face dim. acc. to EN 558 Tab. 20, 78mm

Face to face dim. acc. to EN 558 Tab. 25, 92mm

Subject to change without notice

LUG TYPE BUTTERFLY VALVE Z 014-A

MATERIAL SPECIFICATION AND PARTS LIST



TS-Version

Version with splitted shaft

Pts. 17-20:
Cover plate for
valve \geq DN 350

Pt.	Description	Material	Material-No.	ASTM	Pt.	Description	Material	Material-No.	ASTM
1	Body				9/10	Shafts			
	Nodular Cast Iron	GGG-40	0.7040	60-40-18		Stainless Steel	X14CrMoS17	1.4104	430 F
		GGG-40.3	0.7043				X5CrNiMo17-12-2	1.4401	316
2	Seat						Hastelloy	2.4883	Hastelloy
	NBR	Acrylonitrile butadiene rubber			11	O-ring			
	EPDM	Ethylene propylene caoutchouc				NBR	Acrylonitrile butadiene rubber		
	CSM	Chlorsulphonated polyethylene				FPM	Fluoro caoutchouc		
	FPM	Flouorocarbon caoutchouc			12	TS-disc			
	VSI	Silicon rubber				Nodular Cast Iron	GGG-40	0.7040	60-40-18
	SBR-green	Polyurethane elastomer				Stainless Steel	G-X5CrNiMo19-11-2	1.4408	CF8M
3/4	Bearing bush					Aluminium Bronze	G-CuAl10Ni	2.0975	C 95800
	Brass	MS 58	2.0401	B 45		Coating	Halar, Rilsan		
	Polyamide	PA 66				Surface quality	electropolished, mirror finished		
	PTFE	Polytetrafluorethylene			13	TS-shaft			
5	Seal DIN 7603					Stainless Steel	X14CrMoS17	1.4104	430 F
	Copper	Cu		Copper			X39CrMo17-1	1.4122	
6	Plug screw DIN 908						X5CrNiMo17-12-2	1.4401	316
	Stainless Steel	G-X5CrNiMo19-11-2	1.4408	CF8M	14	Sleeve			
7	Plug screw DIN 915					Stainless Steel	X5CrNi18-10	1.4301	304
	Steel	45 H galvanized			15	O-ring			
	Stainless Steel	A4-70		B8M		NBR	Acrylonitrile butadiene caoutchouc		
8	Disc					FPM	Fluorocarbon caoutchouc		
	Steel	ST 52.3	1.0570	572-50	16	Retaining ring			
	Stainless Steel	X5CrNi18-10	1.4301	304		Stainless Steel	X39CrMo17-1	1.4122	
		G-X5CrNiMo19-11-2	1.4408	CF8M	17	O-ring			
		X2CrNiMo17-12-2	1.4404	316 L		NBR	Acrylonitrile butadiene rubber		
		X6CrNiMoTi17-12-2	1.4571	316 Ti	18	Shaft retainer			
		G-X2CrNiMoN26-7-4	1.4469	F 51		Brass	MS 58	2.0401	B 45
		Hastelloy	2.4883	Hastelloy	19	Cover plate			
	Aluminium Bronze	G-CuAl10Ni	2.0975	C 95800		Grey Cast Iron	GG-25	0.6025	40 B
	Coating	Halar, Rilsan, NBR, EPDM			20	Screw			
	Surface quality	electropolished, mirror finished				Steel	45 H galvanized		
						Stainless Steel	A2-70		B 8
							A4-70		B8M
	Other materials upon request								

Subject to change without notice

LUG TYPE BUTTERFLY VALVE Z 014-A

TORQUE

- The torque values specified (Md) are based on liquid and lubricant media
 - Powdery (non-lubricant) media Md x 1,3
 - Dry gases/ high viscous media Md x 1,2
 - The values specified are based on the initial breakaway torque
 - Dynamic torque specification available upon request
- Regarding the dimensioning of actuators, please contact our engineers.

DN [mm]	Size [in]	Operating pressure			
		3 [bar]	6 [bar]	10 [bar]	16 [bar]
20	¾	5	5	5	-
25	1	5	5	5	-
32	1¼	5	5	5	-
40	1½	8	8	8	8
50	2	9	9	9	9
65	2½	18	18	18	18
80	3	8	10	18	24
100	4	9	18	28	37
125	5	15	22	45	59
150	6	36	45	78	125
200	8	59	76	140	200
250	10	150	180	200	240
300	12	200	240	280	360
350	14	350	540	610	700
400	16	420	620	750	850
450	18	720	746	860	1500
500	20	900	1100	2255	3690
600	24	1050	2100	3000	5830

All values in Nm

K_V-VALUES

- The K_V-values [m³ per hour] is the flow of water at a temperature of 5°C to 30°C (41°F to 86°F) at Δp of 1 bar
 - The K_V-values specified are based on tests carried out by the Delfter Hydraulics Laboratories, the Netherlands
 - Permissible velocity of flow
V_{max} 4,5 m/s for liquids,
V_{max} 70 m/s for gases
 - The throttle function is linear at an angle 30° to 70°
 - Avoid cavitation
- For further values, please contact our engineers.

DN [mm]	Size [in]	Opening angle α°							
		20°	30°	40°	50°	60°	70°	80°	90°
20	¾	-	1	4	8	11	19	27	32
25	1	-	1,5	5	10	15	24	32	36
32	1¼	-	1,5	5	11	16	27	35	40
40	1½	-	2,2	8	15	21	33	43	50
50	2	1,2	8	13	22	38	50	65	85
65	2½	2	9	22	42	77	115	170	215
80	3	8	24	50	95	150	240	330	420
100	4	13	28	65	130	180	340	550	800
125	5	26	65	130	230	350	530	870	1010
150	6	35	90	200	360	640	900	1350	2100
200	8	43	180	350	580	1000	1600	3000	4000
250	10	125	360	660	1100	1800	3100	5300	6400
300	12	200	550	1000	1600	2600	5000	7500	8500
350	14	350	780	1400	2400	4000	8000	10800	11500
400	16	490	1050	1800	3100	5500	11000	12000	14500
450	18	510	1080	2040	3350	6100	11500	14600	20500
500	20	520	1100	2200	3500	6200	12000	15100	21000
600	24	750	1400	2800	5100	8800	14000	22000	29300

Subject to change without notice