

## Ordering Information

APL - 9 10 N S

### Model (Enclosure)

- 9 Stainless steel (IP67)  
Option (IP68) 2 m 72 hr

### Switch

#### Mechanical switch

- 10 2 - SPDT
- 11 3 - SPDT
- 12 4 - SPDT

#### Proximity sensor

- 20 P&F. NJ2-V3-N
- 23 P&F. NBB2-V3

#### Reed type proximity sensor

- 30 Reed type proximity sensor. MS-301

### Enclosure Material

- N 304 stainless steel
- L 316L stainless steel
- C Anti-corrosion coating

### Bracket Type

- S 80 x 30 (H: 20, 30) ----- HKC pneumatic actuator: HP-035 to HP-125
- O 80 x 30 (H: 20, 30) & 130 x 30 (H: 30, 50) ----- HKC pneumatic actuator: HP-145 to HP-212



HKC Co., Ltd.

[www.hkcon.co.kr](http://www.hkcon.co.kr)

### Headquarter / Factory

**Add.** Seonggok-dong, 155 Byeolmang-ro, Danwon-gu, Ansan-si, Gyeonggi-do, South Korea (15417)  
**Tel.** +82-31-488-8266  
**Fax.** +82-31-488-8267  
**E-mail.** [hkcon@hkcon.co.kr](mailto:hkcon@hkcon.co.kr)

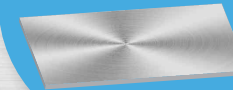
### Seoul Office

**Add.** 1009ho, 278, Beotkkot-ro, Geumcheon-gu, Seoul, South Korea (08511)  
**Tel.** +82-2-2138-8266  
**Fax.** +82-2-2138-8269

# All Stainless Steel Valve Position Monitor

## APL-9 Series

Stainless  
steel



Laser Marking



IP67



Published product features and technical data do not express warranty and may be subject to change without prior notice.

# Valve Position Monitor: APL-9 series



Valve Automation Leader **HKC**

## Benefits

**Stainless steel** Housing, cover and brackets are all made of press-formed stainless steel to secure long life, superb corrosion resistance and durability.

**\$** Economical price.

**Laser Marking** Permanent laser marking on the nameplate.

**IP67** Weatherproof IP67  
Option : watertight IP68 (2 m 72 hr)

**Light weight and robust design.**

- Visual position indicator with tight indicator window sealing.
- Spring loaded splined cam: easy setting without tools.
- Captive cover bolts: no need to worry about losing them when the cover is open.
- NAMUR standard stainless steel shaft and bracket.

etc



## Design Construction

**Window / Indicator**  
PC / ABS

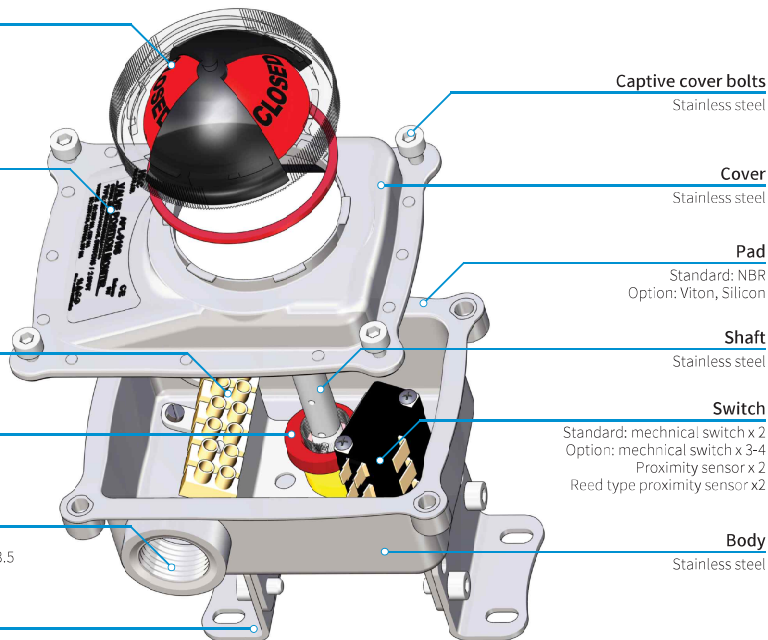
**Nameplate**  
Laser marking on the cover

**Terminal block**  
Standard: 8P  
Option: 12P

**Cam**  
ABS

**Cable Entries**  
Standard: 2 x NPT1/2"  
Option: 2 x PF1/2", M20, PG13.5

**Bracket set**  
Stainless steel

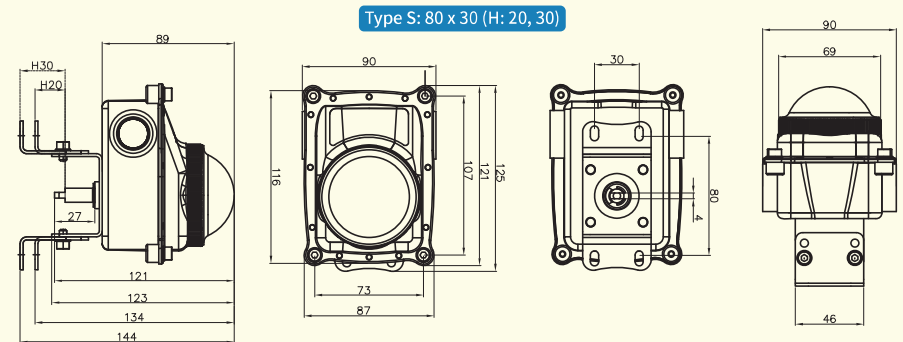


## Specification

	Standard	Option
<b>Enclosure</b>	Weatherproof IP67 - IEC 60529	Watertight IP68 (2 m 72 hr) - IEC 60529
<b>Material</b>	304 stainless steel	316L stainless steel
<b>Ambient temperature</b>	-20 to +80 °C	-50 to +80 °C (low temp.) -40 to +110 °C (high temp.)
<b>Cable entries</b>	2 x NPT1/2"	2 x PF1/2", 2 x M20, 2 x PG13.5
<b>Position indicator</b>	Open-yellow, close-red	Three positions (T-port, L-port)
<b>Terminal block</b>	8 p (0.08 - 2.5 mm <sup>2</sup> )	12 p (0.08 - 2.5 mm <sup>2</sup> )
<b>Coating</b>		Anti-corrosion coating
<b>Bracket</b>	Type S: 80 x 30 (H: 20, 30)	Type O: 80 x 30 (H: 20, 30) & 130 x 30 (H: 30, 50)

## Dimension

Unit: mm



Unit: mm

