

3-PC BALL VALVE

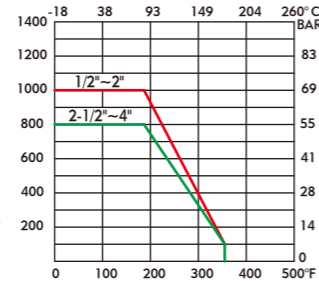
H3TM3



FEATURES

- FULL PORT
- INVESTMENT CASTING
- MATERIAL: ASTM-A351-CF8M, ASTM-A351-CF8
ASTM-A351-CF3M, ASTM-A216-WCB
- WORKING PRESSURE: 1000WOG (1/2"~2")
800WOG (2-1/2"~4")
- END CONNECTIONS: THREADED / SOCKET WELDED END
- SIZE RANGING: 1/2"~4" (DN15~DN100)
- FACE TO FACE: DIN3202 / M3
- WITH ISO 5211 DIRECT MOUNTING PAD
- OPTIONS: LOCKING DEVICE

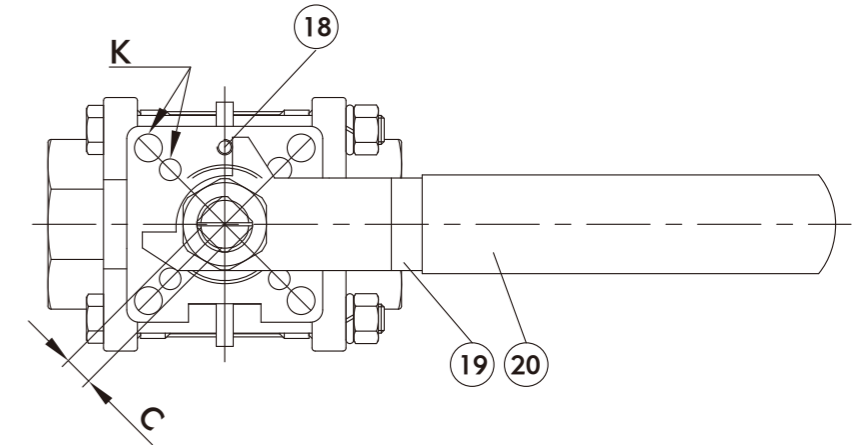
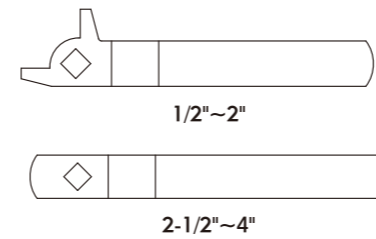
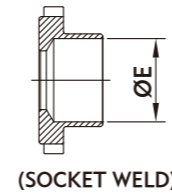
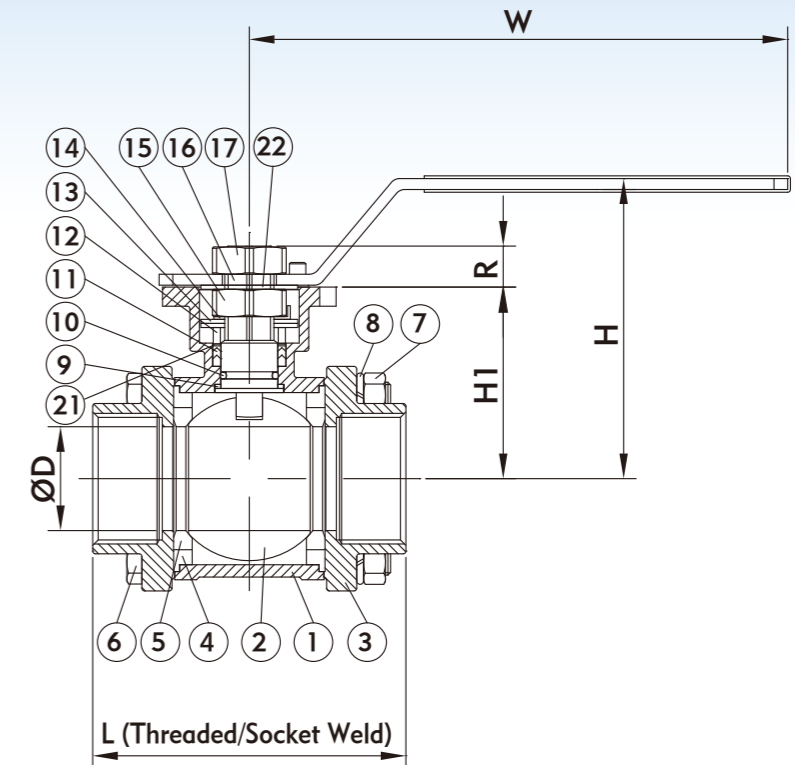
PRESSURE-TEMPERATURE CHART



MATERIALS LIST

NO.	DESCRIPTION	Q'TY	MATERIAL	
1	BODY	1	ASTM-A351-CF8M	ASTM-A216-WCB
2	BALL	1	ASTM-A351-CF8M	ASTM-A351-CF8
3	CAP	2	ASTM-A351-CF8M	ASTM-A216-WCB
4	SEAT	2	PTFE	PTFE
5	JOINT GASKET	2	PTFE	PTFE
6	BOLT	4-6	SUS 304	SUS 304
7	NUT	4-12	SUS 304	SUS 304
8	SPRING WASHER	4-12	SUS 304	SUS 304
9	THRUST WASHER	1	PTFE	PTFE
10	O-RING	1	VITON	VITON
11	STEM PACKING	1	PTFE	PTFE
12	GLAND BUSH	1	SUS 304	SUS 304
13	BELLEVILLE WASHER	2	SUS 301	SUS 301
14	STOP WASHER	1	SUS 304	SUS 304
15	STEM NUT	1	SUS 304	SUS 304
16	STEM	1	SUS 316	SUS 304
17	HANDLE NUT	1	SUS 304	SUS 304
18	STOP PIN	1	SUS 304	SUS 304
19	HANDLE	1	SUS 304	SUS 304
20	HANDLE COVER	1	PLASTIC	PLASTIC
21	THRUST WASHER	1	PTFE 15%	PTFE 15%
22	SQUARE WASHER	1	SUS304	SUS304

3-PC BALL VALVE



DIMENSION

SIZE	C	øD	øE	H	H1	K	L	R	W	UNIT:MM
1/2"	9	15	21.9	73	36	F03/F04	75	9	111	
3/4"	9	20	27.2	78	41	F03/F04	80	9	111	
1"	11	25	34.1	87.5	49.5	F04/F05	90	11	186	
1-1/4"	11	32	42.8	94	56	F04/F05	110	11	186	
1-1/2"	14	38	48.8	109	70	F05/F07	120	14	197	
2"	14	50	61.2	117	78	F05/F07	140	14	197	
2-1/2"	17	65	74	139	98	F07/F10	185	17	265.5	
3"	17	80	90.1	149.5	108.5	F07/F10	205	17	265.5	
4"	22	100	115.5	195	140	F10/F12	240	22	321	