

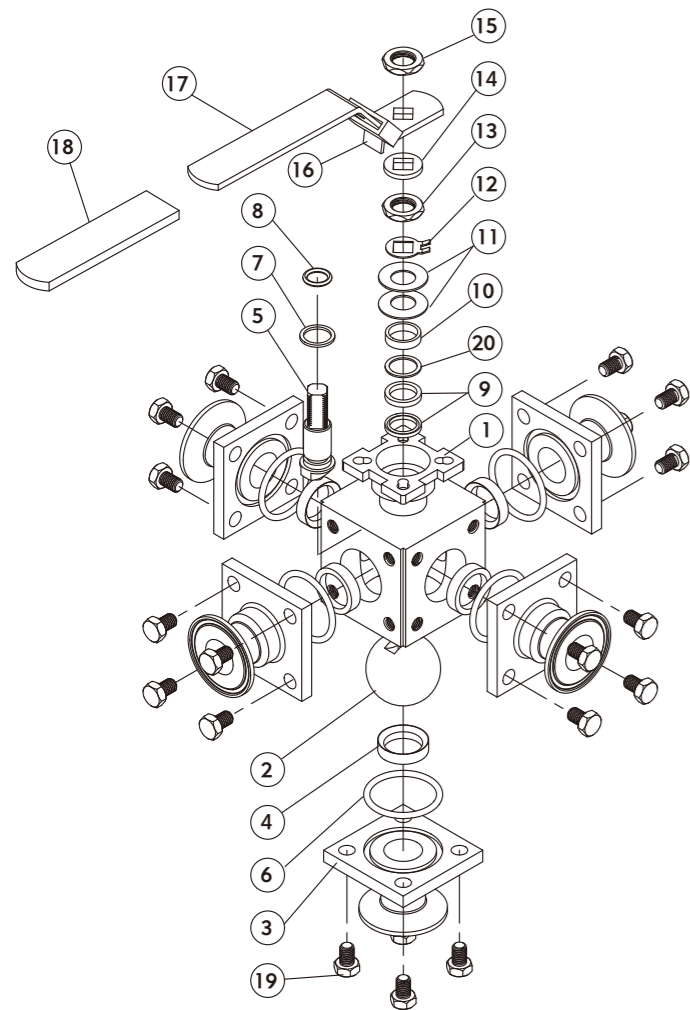
3, 4, 5 WAY SANITARY BALL VALVE

H6SC-HL



FEATURES

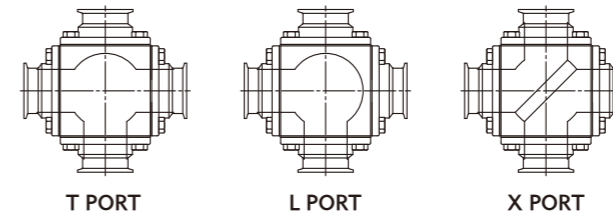
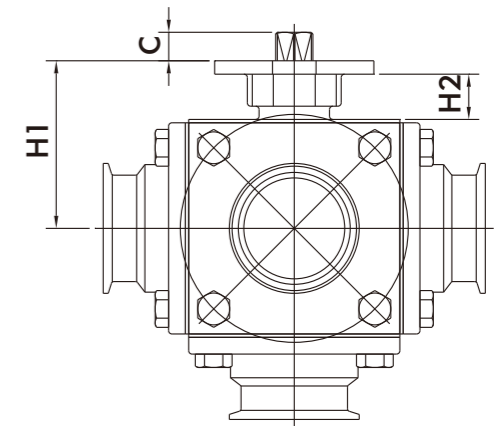
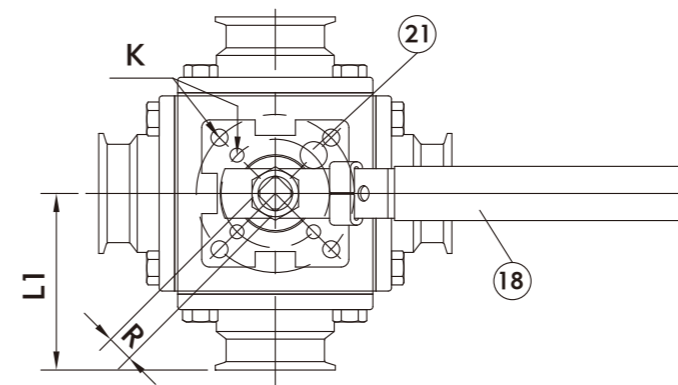
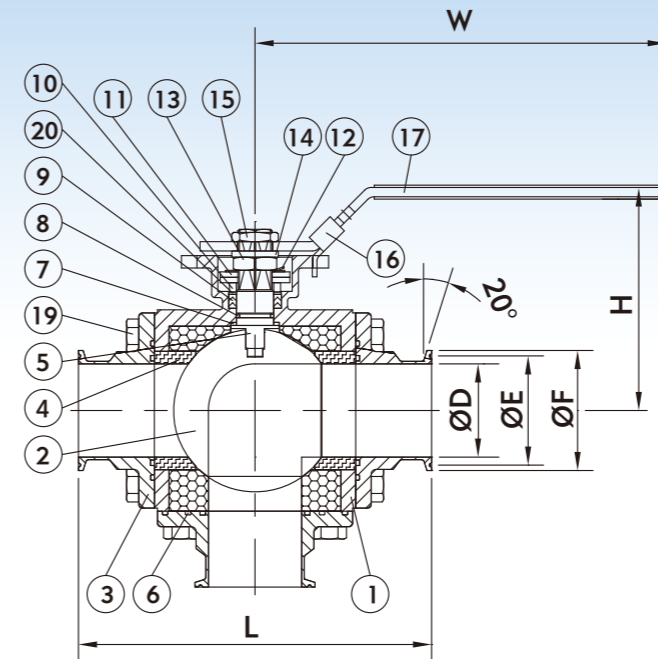
- STANDARD PORT
- INVESTMENT CASTING
- MATERIAL: ASTM-A351-CF8M, ASTM-A351-CF3M
- WORKING PRESSURE: 800WOG / PN40
- END CONNECTIONS: ASME BPE-2005
- SIZE RANGING: 1/2"~4" (DN15~DN100)
1-1/4" (DN32) IS NOT AVAILABLE
- BALL OPTIONS: L PORT / T PORT / X PORT
- BALL SEAT: WITH CAVITY FILLED PTFE
- WITH ISO 5211 DIRECT MOUNTING PAD
- WITH LOCKING DEVICE



MATERIALS LIST

NO.	DESCRIPTION	Q'TY	MATERIAL	
1	BODY	1	ASTM-A351-CF8M	ASTM-A351-CF8M
2	BALL	1	ASTM-A351-CF8M	ASTM-A351-CF8M
3	CAP	5	ASTM-A351-CF8M	ASTM-A351-CF8M
4	SEAT	5	PTFE	PTFE
5	STEM	1	SUS 316	SUS 304
6	JOINT GASKET	5	SILICONE	SILICONE
7	THRUST WASHER	1	PTFE	PTFE
8	O-RING OF STEM	1	VITON	VITON
9	STEM PACKING	1	PTFE	PTFE
10	GLAND BUSH	1	SUS 304	SUS 304
11	BELLEVILLE WASHER	2	SUS 301	SUS 301
12	STOP WASHER	1	SUS 304	SUS 304
13	STEM NUT	1	SUS 304	SUS 304
14	SQUARE WASHER	1	SUS 304	SUS 304
15	HANDLE NUT	1	SUS 304	SUS 304
16	LOCKING PAD	1	SUS 304	SUS 304
17	HANDLE	1	SUS 304	SUS 304
18	HANDLE COVER	1	PLASTIC	PLASTIC
19	BOLT	20	SUS 304	SUS 304
20	THRUST WASHER	1	PTFE 15%	PTFE 15%

3, 4, 5 WAY SANITARY BALL VALVE



TURN PORT	0°	90°	180°	270°
L				
T				
X				

DIMENSION

SIZE	C	øD	øE	øF	H	H1	H2	K	L	L1	R	W	UNIT:MM
1/2"	9	9.4	20.3	25	82	48	18.5	F03/F04	118	59	9	135	
3/4"	9	15.8	20.3	25	87	53	20	F03/F04	127	63.5	9	135	
1"	11	22.1	43.6	50.4	97	63	23	F04/F05	152.5	76.5	11	200	
1-1/2"	14	34.8	43.6	50.4	110.5	75.5	23.5	F05/F07	175	87.5	14	220	
2"	14	47.5	56.3	63.9	118	83	21	F05/F07	190	95	14	240	
2-1/2"	17	60.2	70.6	77.4	135	100	27	F07/F10	228	114	17	360	
3"	17	72.9	83.3	90.9	160	125	37.5	F07/F10	260	130	17	360	
4"	22	97.4	110.3	118.9	184	135	38.5	F10/F12	318	159	22	400	