

3 WAY BALL VALVE (ECONOMIC TYPE)

H4T-HL



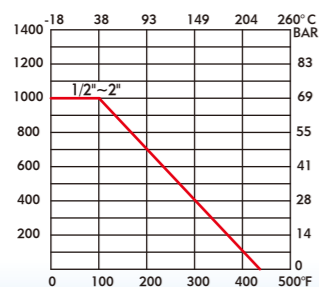
FEATURES

- FULL PORT / REDUCED PORT / STANDARD PORT
- INVESTMENT CASTING
- MATERIAL: ASTM-A351-CF8M, ASTM-A351-CF8
ASTM-A351-CF3M, ASTM-A216-WCB
- WORKING PRESSURE: 1000WOG / PN63
- END CONNECTIONS: THREADED / SOCKET WELDED END
(ANSI B16.25)
- SIZE RANGING: FULL PORT / 1/2"~2" (DN15~DN50)
STANDARD PORT / 1/2" (DN15)
REDUCED PORT / 3/4"~2" (DN20~DN50)
- BALL OPTIONS: L PORT / T PORT
- WITH ISO 5211 DIRECT MOUNTING PAD
- WITH LOCKING DEVICE

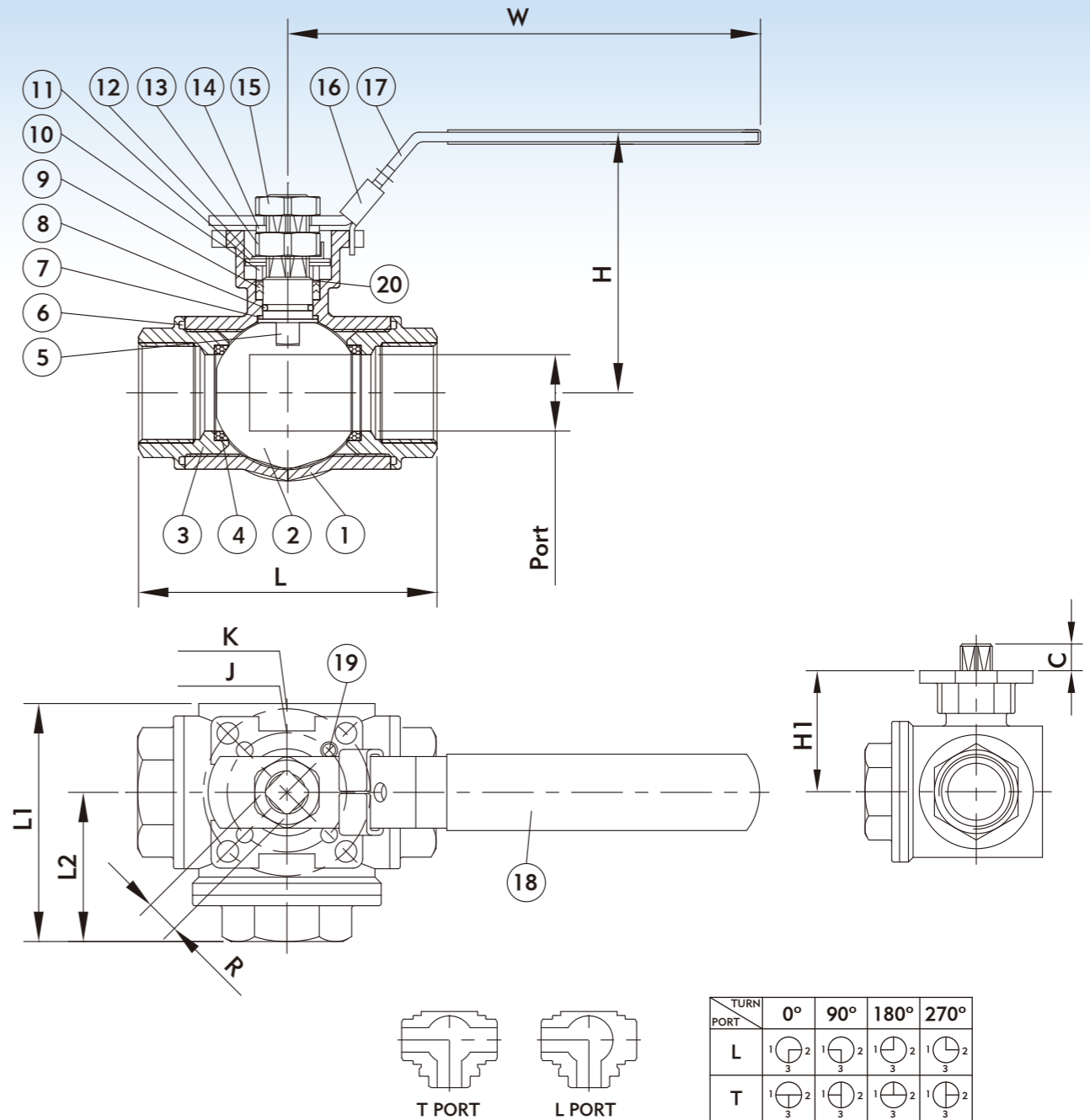
MATERIALS LIST

NO.	DESCRIPTION	Q'TY	MATERIAL	
1	BODY	1	ASTM-A351-CF8M	ASTM-A216-WCB
2	BALL	1	ASTM-A351-CF8M	ASTM-A351-CF8
3	CAP	3	ASTM-A351-CF8M	ASTM-A216-WCB
4	SEAT	4	PTFE	PTFE
5	STEM	1	SUS 316	SUS 304
6	JOINT GASKET	3	VITON	VITON
7	THRUST WASHER	1	PTFE	PTFE
8	O-RING OF STEM	1	VITON	VITON
9	STEM PACKING	1	PTFE	PTFE
10	GLAND BUSH	1	SUS 304	SUS 304
11	BELLEVILLE WASHER	2	SUS 301	SUS 301
12	STOP WASHER	1	SUS 304	SUS 304
13	STEM NUT	1	SUS 304	SUS 304
14	SQUARE WASHER	1	SUS 304	SUS 304
15	HANDLE NUT	1	SUS 304	SUS 304
16	LOCKING PAD	1	SUS 304	SUS 304
17	HANDLE	1	SUS 304	SUS 304
18	HANDLE COVER	1	PLASTIC	PLASTIC
19	STOP PIN	1	SUS 304	SUS 304
20	THRUST WASHER	1	PTFE 15%	PTFE 15%
21	STOP PIN NUT	1	SUS 304	SUS 304

PRESSURE-TEMPERATURE CHART



3 WAY BALL VALVE (ECONOMIC TYPE)



DIMENSION

FULL PORT	RED. PORT	STD. PORT	Port	C	H	H1	J	K	L	L1	L2	R	UNIT:MM		
													W	W	
		1/2"	12.5	9	72	37	F03	F04	76	57	38	9	135		
1/2"	3/4"		16	9	75	40	F03	F04	83	62.5	41.5	9	135		
3/4"	1"		20	11	84	49	F04	F05	99	76	49.5	11	200		
1"	1-1/4"		25	11	90	55	F04	F05	112	89	56	11	200		
1-1/4"	1-1/2"		32	14	104	68	F05	F07	125	100	62.5	14	220		
1-1/2"	2"		38	14	113.5	77.5	F05	F07	149	121	74.5	14	220		
2"			50	17	126	90	F07	F10	174	139	87	17	300		