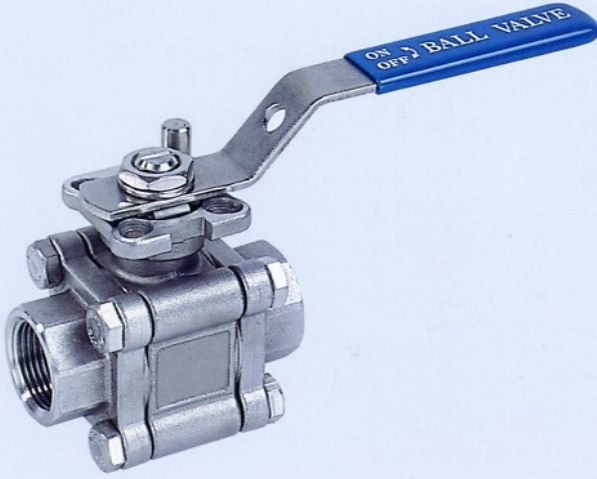


SCREWED / BUTT WELD / SOCKET WELD END
3-PIECE, DIRECT MOUNTING PAD, FULL PORT



V-3 WMH TYPE

SIZE: 1/4" ~ 4"



DIRECT MOUNTING PAD
3000PSI & 2000PSI

STAINLESS STEEL

AISI-316 (EN10213-1.4408) (ASTM-A351-CF8M)

AISI-304 (EN10213-1.4308) (ASTM-A351-CF8)

CARBON STEEL

S-20C (EN10213-1.0619) (ASTM-A216-WCB)

FEATURES:

*Pipe thread in accordance with ANSI B2.1, BS21, DIN259/2999, ISO 228

*Blow-out proof stem

*Investment casting body and cap

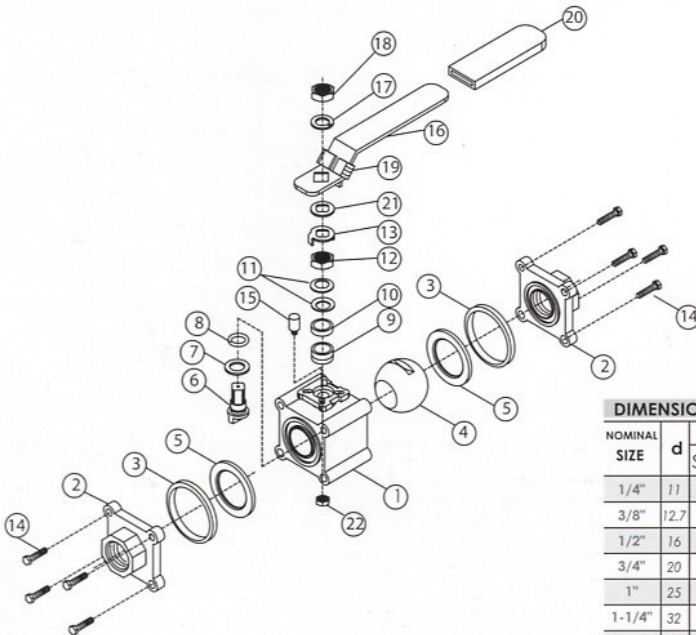
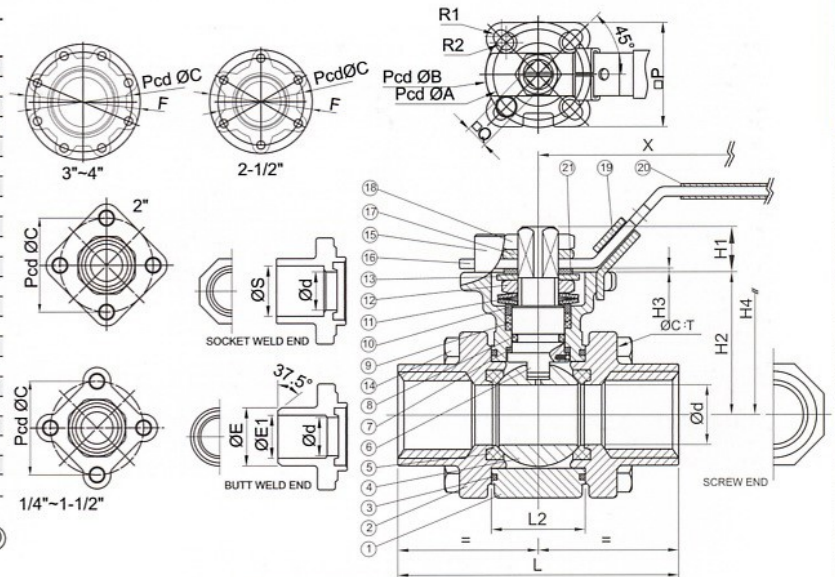
*1/4"~1": 3000 PSI (PN 200), 1-1/4"~4": 2000 PSI (PN 130)

*Encapsulated body

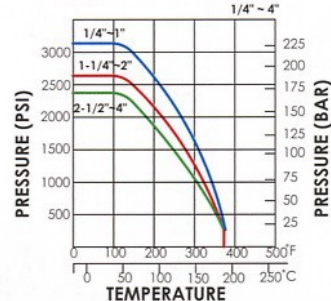
*Direct mounting pad ISO 5211

OPTION: Locking device
Reduced port
Bare Stem
DIN 3203 M3 length
Firesafe design

ITEM	PARTS	QTY	MATERIALS		
1	BODY	1	ASTM-A351-CF8M	ASTM-A351-CF8	ASTM-A216-WCB
2	END CAP	2	ASTM-A351-CF8M	ASTM-A351-CF8	ASTM-A216-WCB
3	JOINT GASKET	2	GRAPHITE	GRAPHITE	GRAPHITE
4	SOLID BALL	1	ASTM-A351-CF8M	ASTM-A351-CF8M	ASTM-A351-CF8M
5	BALL SEAT	2	POM	POM	POM
6	STEM	1	AISI 316	AISI 316	AISI 316
7	THRUST WASHER	1	25%-CARBON	25%-CARBON	25%-CARBON
8	O-RING	1	VITON	VITON	VITON
9	STEM PACKING	2	GRAPHITE	GRAPHITE	GRAPHITE
10	STEM RING	1	AISI 304	AISI 304	AISI 304
11	BELLEVILLE WASHER	2	AISI 301	AISI 301	AISI 301
12	STEM NUT	1	AISI 304	AISI 304	AISI 304
13	SADDLE WASHER	1	AISI 304	AISI 304	AISI 304
14	HEX BOLT	8-16	AISI 304	AISI 304	AISI 304
15	STOP PIN	1	AISI 304	AISI 304	AISI 304
16	HANDLE	1	AISI 304	AISI 304	AISI 304
17	SPRING WASHER	1	AISI 304	AISI 304	AISI 304
18	HANDLE NUT	1	AISI 304	AISI 304	AISI 304
19	LOCKING DEVICE	1	AISI 304	AISI 304	AISI 304
20	HANDLE SLEEVE	1	PLASTIC	PLASTIC	PLASTIC
21	SQUARE WASHER	1	AISI 304	AISI 304	AISI 304
22	STOP PIN NUT	1	AISI 304	AISI 304	AISI 304



PRESSURE TEMPERATURE RATING



DIMENSIONS

NOMINAL SIZE	d	L	SD	SW	BW	L2	H1	H2	H3	H4	ISO-5211										UNIT:mm			
											ØPcd	Q	R1	R2	ØE	ØE1	ØS	P	ØC	T	Pcd C	X	TORQUE kgf-cm	KGS
1/4"	11	60				22.7	10	34		58	R03/R236	9.0	Ø6.0	---	18	12	14.1	37.5	6.5	M6	40	112	48	0.52
3/8"	12.7	60				22.7	10	34		58	R03/R236	9.0	Ø6.0	---	18	14	17.6	37.5	6.5	M6	40	112	48	0.5
1/2"	16	65				24	12	38		62	R03/R236	9.0	R3	R3	22	17.1	21.7	41.5	6.5	M6	44	112	48	0.63
3/4"	20	75				28	12	43		66	R03/R236	11	R3	R3	27.5	22.5	27.1	41.5	8.4	M8	53.4	125	74	0.97
1"	25	85				34	12	50		75	R04/R247	11	R3	R3.5	33.5	28	33.8	50.4	8.4	M8	65	138	137	1.34
1-1/4"	32	100				44	12	55		80	R04/R247	11	R3	R3.5	44	33.5	44	50.4	10.6	M10	77	138	200	2.25
1-1/2"	38	110				53	16	65		95	R05/R250	14	R3.5	R4.5	50	43	50	66.5	10.6	M10	93	170	270	3.63
2"	50	130				65	16	75		104	R07/R270	14	R3.5	R4.5	61.5	53	61.5	66.5	10.6	M10	122	170	350	6.97
2-1/2"	65	170				74.6	36	103		153	R07/R270	17	R5.5	R4.5	76	69	76.9	90	10.6	M12	140	325	500	10.7
3"	80	190				87	36	113		163	R07/R270	17	R5.5	R4.5	92	82	89.8	90	10.6	M12	160	325	700	14.5
4"	100	220				112.5	36	150		185	F10/Ø102	22	R5.5	R6.5	115	106	115.4	113	16.6	5/8"	210	350	900	28.0