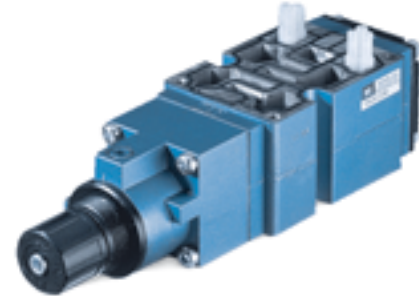


Sandwich pressure regulator with manual adjust knob.

OPERATIONAL BENEFITS

1. Easy mounting : saves on installation costs in comparison with inline regulators.
2. Allows to have compact, all-included units.
3. Large orifice provides high flow.
4. Various functions available.
5. Simple, reliable and solid design.



PR82A
PR63D
PR65C

HOW TO ORDER

REGULATORS FOR "PLUG-IN" VALVES

Gauges	Single pressure Regulator A end Same regulated pressure to ports A and B	Single pressure Regulator B end Same regulated pressure to ports A and B	Dual pressure Regulator A end Regulated pressure to port B *	Dual pressure Regulator B end Regulated pressure to port A *	Dual pressure Dual regulator Two regulated pressures to ports A and B *
No gauge	PR63D-22AA	PR63D-21AA	PR63D-24AA	PR63D-23AA	PR63D-25AA
Glycerine filled gauge on regulator(s)	PR63D-22BA	PR63D-21BA	PR63D-24BA	PR63D-23BA	PR63D-25DA
Glycerine filled gauge opposite to regulator	PR63D-22CA	PR63D-21CA	PR63D-24CA	PR63D-23CA	-----
Non-filled gauge on regulator(s)	PR63D-22FA	PR63D-21FA	PR63D-24FA	PR63D-23FA	PR63D-25HA
Non-filled gauge opposite to regulator	PR63D-22GA	PR63D-21GA	PR63D-24GA	PR63D-23GA	-----

Note : above models are coded for use with double solenoid plug-in valves.

REGULATORS FOR "NON PLUG-IN" AND REMOTE AIR VALVES

Gauges	Single pressure Regulator A end Same regulated pressure to ports A and B	Single pressure Regulator B end Same regulated pressure to ports A and B	Dual pressure Regulator A end Regulated pressure to port B *	Dual pressure Regulator B end Regulated pressure to port A *	Dual pressure Dual regulator Two regulated pressures to ports A and B *
No gauge	PR63D-32AA	PR63D-31AA	PR63D-34AA	PR63D-33AA	PR63D-35AA
Glycerine filled gauge on regulator(s)	PR63D-32BA	PR63D-31BA	PR63D-34BA	PR63D-33BA	PR63D-35DA
Glycerine filled gauge opposite to regulator	PR63D-32CA	PR63D-31CA	PR63D-34CA	PR63D-33CA	-----
Non-filled gauge on regulator(s)	PR63D-32FA	PR63D-31FA	PR63D-34FA	PR63D-33FA	PR63D-35HA
Non-filled gauge opposite to regulator	PR63D-32GA	PR63D-31GA	PR63D-34GA	PR63D-33GA	-----

Note : regulating range for above models is 0-150 PSI.
For other ranges see technical data page.

* To be used with dual pressure valves (manifolds only).

PLUG-IN OPTIONS

PR63D-xxxx

- Replace by 1 for single solenoid plug-in with knob adjustment.

ADJUSTMENT OPTIONS

PR63D-xxxx

- Replace by A for slotted stem adjustment for single solenoid plug-in.
- Replace by B for slotted stem adjustment for double solenoid plug-in.
- Replace by C for slotted stem adjustment for non plug-in valves.
- Replace by E for slotted stem with locknut for single solenoid plug-in.
- Replace by F for slotted stem with locknut for double solenoid plug-in.
- Replace by G for slotted stem with locknut for non plug-in valves.

Consult "Precautions" page 364 before use, installation or service of MAC Valves

PRA1A
PRA2D
PRA3C

PR125A
PR250B

TECHNICAL DATA

Fluid :	Compressed air, inert gases
Pressure range :	0 to 150 PSI
Regulating range :	0 to 150 PSI (other ranges see below)
Lubrication :	Not required, if used select a medium aniline point lubricant (between 180°F to 210°F)
Filtration :	40 μ
Temperature range :	0°F to 120°F (-18°C to 50°C)
Flow :	(2.4 C _v)

Spare parts :

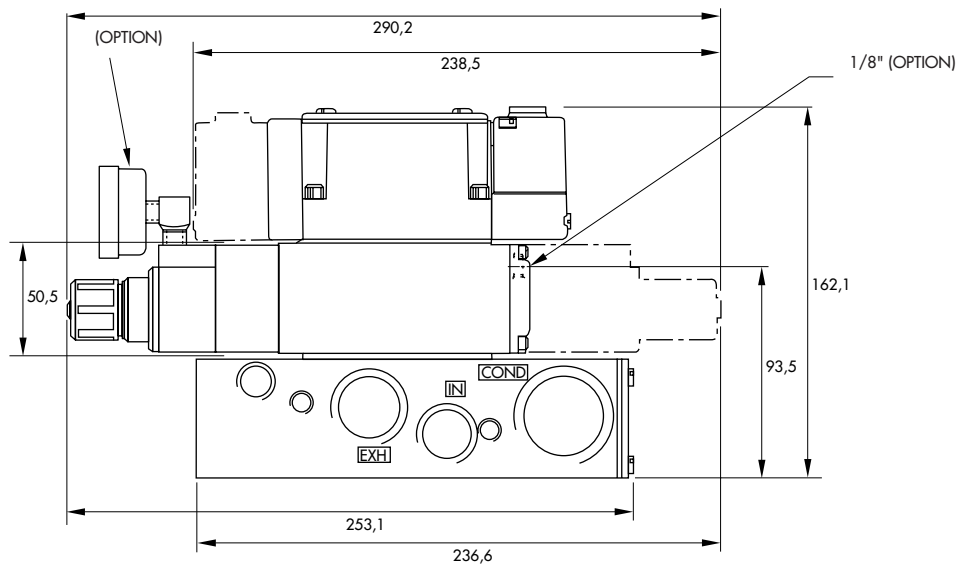
- Pressure regulator (less sandwich block) : PR63D-41AA (KNOB), PR63D-D1AA (SLOTTED STEM), PR63D-H1AA (SLOTTED STEM WITH LOCKNUT).
- Gauges : • Glycerine filled : N-62015-01
• Non filled : N-62016-01

Regulating range options : PR63D-XXXX

- Replace by B - 0 to 100 PSI
- Replace by C - 0 to 45 PSI

DIMENSIONS

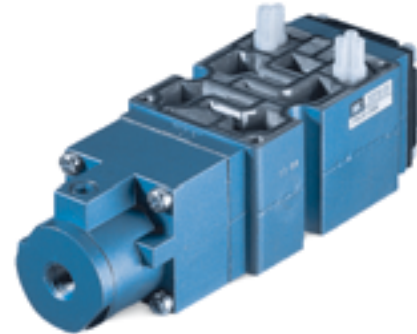
Dimensions shown are metric (mm)



Sandwich pressure regulator with air pilot adjust.

OPERATIONAL BENEFITS

1. Easy mounting : saves on installation costs in comparison with inline regulators.
2. Allows to have compact, all-included units.
3. Large orifice provides high flow.
4. Various functions available.
5. Simple, reliable and solid design.



PR82A
PR63D
PR65C

HOW TO ORDER

REGULATORS FOR "PLUG-IN" VALVES

Gauges	Single pressure Regulator A end Same regulated pressure to ports A and B	Single pressure Regulator B end Same regulated pressure to ports A and B	Dual pressure Regulator A end Regulated pressure to port B *	Dual pressure Regulator B end Regulated pressure to port A *	Dual pressure Dual regulator Two regulated pressures to ports A and B *
No gauge	PR63D-2BAA	PR63D-2AAA	PR63D-2DAA	PR63D-2CAA	PR63D-2EAA
Glycerine filled gauge on regulator(s)	PR63D-2BBA	PR63D-2ABA	PR63D-2DBA	PR63D-2CBA	PR63D-2EDA
Glycerine filled gauge opposite to regulator	PR63D-2BCA	PR63D-2ACA	PR63D-2DCA	PR63D-2CCA	-----
Non-filled gauge on regulator(s)	PR63D-2BFA	PR63D-2AFA	PR63D-2DFA	PR63D-2CFA	PR63D-2EHA
Non-filled gauge opposite to regulator	PR63D-2BGA	PR63D-2AGA	PR63D-2DGA	PR63D-2CGA	-----

Note : above models are coded for use with double solenoid plug-in valves.

REGULATORS FOR "NON PLUG-IN" AND REMOTE AIR VALVES

Gauges	Single pressure Regulator A end Same regulated pressure to ports A and B	Single pressure Regulator B end Same regulated pressure to ports A and B	Dual pressure Regulator A end Regulated pressure to port B *	Dual pressure Regulator B end Regulated pressure to port A *	Dual pressure Dual regulator Two regulated pressures to ports A and B *
No gauge	PR63D-3BAA	PR63D-3AAA	PR63D-3DAA	PR63D-3CAA	PR63D-3EAA
Glycerine filled gauge on regulator(s)	PR63D-3BBA	PR63D-3ABA	PR63D-3DBA	PR63D-3CBA	PR63D-3EDA
Glycerine filled gauge opposite to regulator	PR63D-3BCA	PR63D-3ACA	PR63D-3DCA	PR63D-3CCA	-----
Non-filled gauge on regulator(s)	PR63D-3BFA	PR63D-3AFA	PR63D-3DFA	PR63D-3CFA	PR63D-3EHA
Non-filled gauge opposite to regulator	PR63D-3BGA	PR63D-3AGA	PR63D-3DGA	PR63D-3CGA	-----

* To be used with dual pressure valves (available only on manifolds).

PLUG-IN OPTIONS

PR63D-xxxx

- Replace by 1 for single solenoid plug-in.

PRA1A
PRA2D
PRA3C

PR125A
PR250B

TECHNICAL DATA

Fluid :	Compressed air, inert gases
Pressure range :	0 to 150 PSI
Regulating range :	0 to 150 PSI
Lubrication :	Not required, if used select a medium aniline point lubricant (between 180°F to 210°F)
Filtration :	40 μ
Temperature range :	0°F to 120°F (-18°C to 50°C)
Flow (at 6 bar, ΔP=1bar) :	(2.4 C _v)

- Spare parts :
- Pressure regulator (less sandwich block) : PR63D-4AAA.
 - Gauges :
 - Glycerine filled : N-62015-01
 - Non filled : N-62016-01

DIMENSIONS

Dimensions shown are metric (mm)

