

2-PC FLANGED BALL VALVE

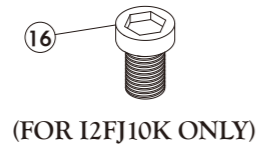
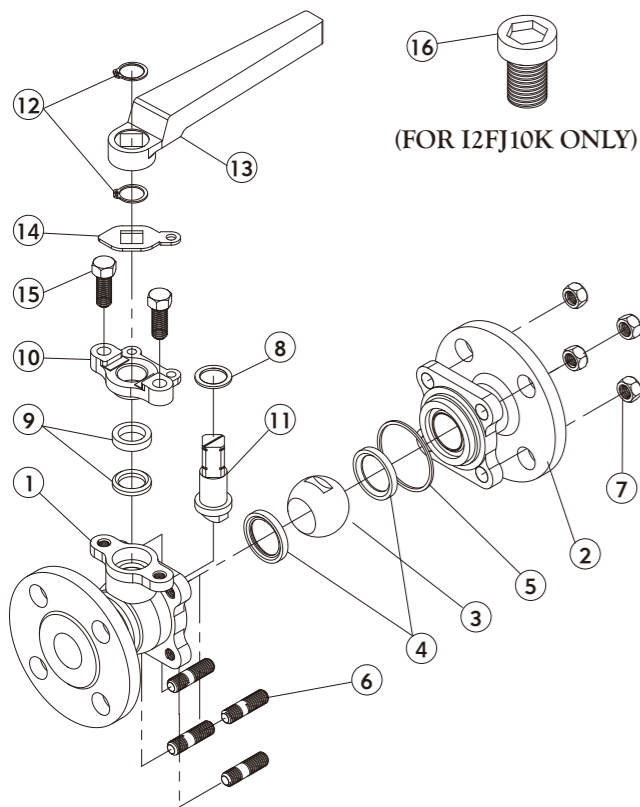
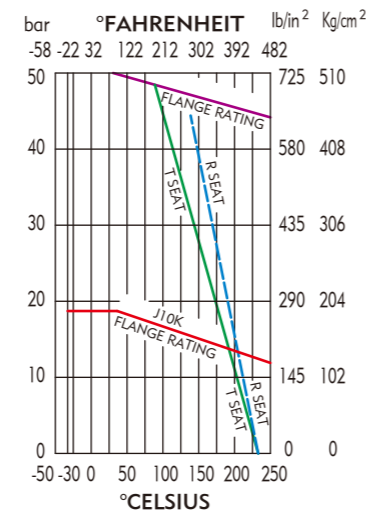
A2FJ10K



FEATURES

- FULL PORT
- INVESTMENT CASTING
- MATERIAL: SCS 14A / SCS 13A
- WORKING PRESSURE: JIS 10K
- FLANGE DIMENSION: JIS B2220
- FACE TO FACE DIMENSION: JIS B2002
- FIRE SAFE DESIGN
- ANTISTATIC STEM
- SIZE RANGING: 1/2"~4" (DN15~DN100)
==> 1-1/4" (DN32) IS NOT AVAILABLE
- LOCKING DEVICE ON VALVE BODY
- WITH FCD OPERATION

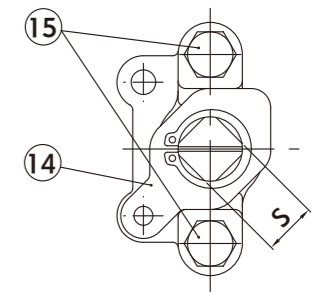
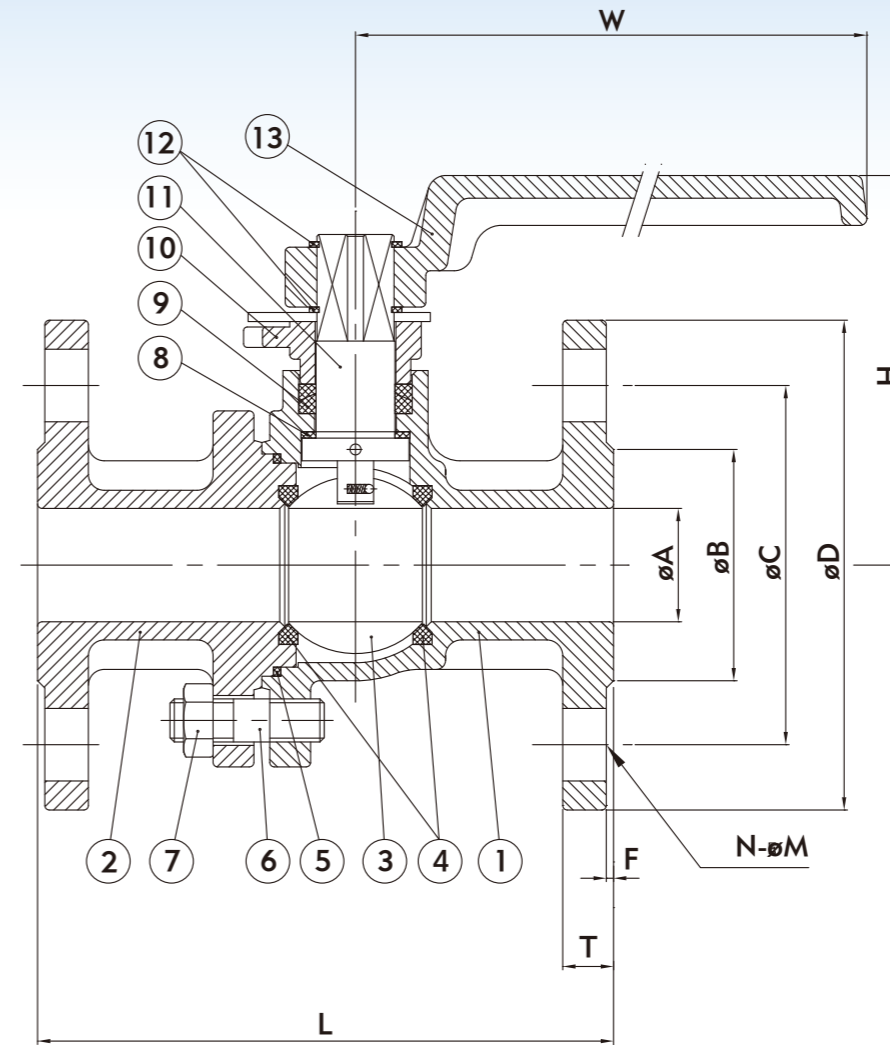
PRESSURE-TEMPERATURE CHART



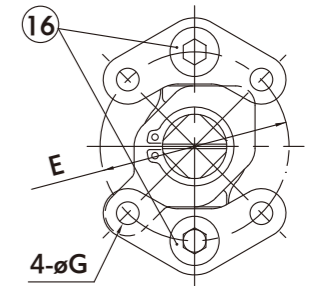
MATERIALS LIST

NO.	DESCRIPTION	Q'TY	MATERIAL	
1	BODY	1	ASTM-A351-CF8M	ASTM-A216-WCB
2	CAP	1	ASTM-A351-CF8M	ASTM-A216-WCB
3	BALL	1	ASTM-A351-CF8M	ASTM-A351-CF8
4	SEAT	2	PTFE	PTFE
5	JOINT GASKET	1	PTFE	PTFE
6	BOLT	4~8	SUS 304	SUS 304
7	NUT	4~8	SUS 304	SUS 304
8	THRUST WASHER	1	PTFE	PTFE
9	STEM PACKING	1	PTFE	PTFE
10	GLAND	1	SUS 304	SUS 304
11	STEM	1	SUS 316	SUS 304
12	C-RING	2	S45C	S45C
13	HANDLE	1	FC 25	FC 25
14	STOPPER	1	SUS 304	SUS 304
15	GLAND BOLT	2	SUS 304	SUS 304
16	GLAND BOLT	2	SUS 304	SUS 304

2-PC FLANGED BALL VALVE



A2FJ10K



I2FJ10K

DIMENSION

SIZE	UNIT:MM														
	øA	øB	øC	øD	øE	F	øG	H	L	øM	N	S	T	W	
1/2"	15	51	70	95	F04/42	1	6	70	108	15	4	11	12	130	
3/4"	20	56	75	100	F04/42	1	6	73	117.5	15	4	11	14	130	
1"	25	67	90	125	F05/50	1	7	87	127	19	4	14	14	163	
1-1/2"	38	81	105	140	F07/70	2	9	130	165	19	4	17	16	200	
2"	50	96	120	155	F07/70	2	9	137	178	19	4	17	16	200	
2-1/2"	65	116	140	175	F07/70	2	9	150	190.5	19	4	17	18	200	
3"	80	126	150	185	F10/102	2	11	158	203	19	8	22	18	328	
4"	100	151	175	210	F10/102	2	11	173	228.5	19	8	22	18	328	