

# **STD CALIPER BRAKE CO.,LTD**

**MANUFACTURING**

Motorcycle of BRAKE PAD AND BRAKE SHOE





**LET BE PART  
OF YOUR  
MOTORCYCLE**



## About Our **Company**

Our company established 1983 as Brake manufacturer in aftersell market in Thailand.

With our 40 year experience, Std Caliper brake Co.,Ltd. is a specialized manufacturer of brakes for motorcycles serve the premium quality brake for the replacement market motorcycles brake pad and brake shoe as original equipment manufacturing (OEM) in Thailand.



# About Our Work

- To get requirements from customers to develop the sample to test.
- Get confirmation after complete test.
- Assembly produce
- Delivery products to customer
- Get Feedback



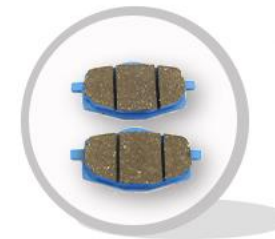
**Get  
Requirements**



**Development**



**Test**



**Produce**



**Delivery**



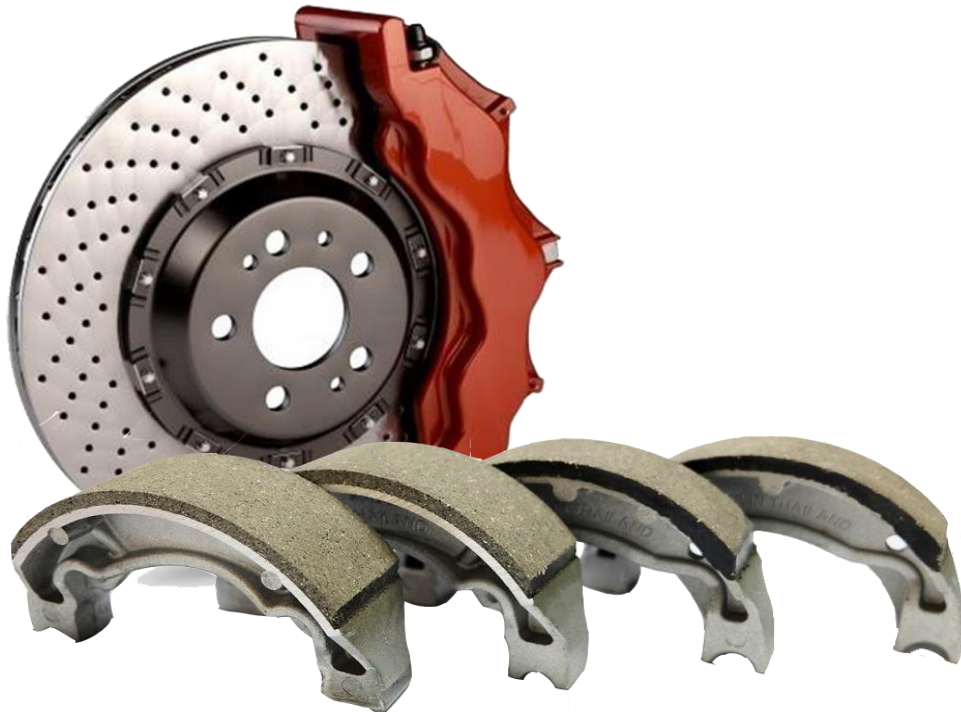
**Feedback**

# Our Products

There are two type of our main products which are :

Brake Pad with 40 models

Drum Brake with 12 Models



## Brake Pad

NO-R  
NO-F  
W125  
CLICK  
AKIRA-F  
W110  
CLICK-i  
FINO  
SONIC  
MIO  
NOUVO  
BELL  
PCX  
LEAD  
SPACY  
SH125R  
SH125F  
ATTILA  
VESPA/DRONE-R  
LIBERTY  
CBR  
KSR-F  
G.Filano  
KSR-R  
NO-R reverse  
PCX 2018  
Scoopy 2021 /  
Vario  
SH-125i  
SURAIDER R  
SURAIDER F  
R15  
CBR250 R  
X-MAX-R  
X-MAX-F  
DRONE-F  
R15 F 2022  
(Suraider F L/R)  
NIU  
CB150

## Drum Brake

C100  
W125  
FINO  
Click  
Y80  
Y100  
A100  
CG125  
CGM  
DT100  
TMX  
AEROX

# Our Production Capacity

Total production of 4 Million  
pairs per annual for both Brake  
Pad and Drum Brake



## Employee

There are 85 employee for drum brake  
and brake pad for all product



## Brake Pad

There are 40 models for brake  
pad with capacity of 2.04 Pairs  
per annual



## Drum Brake

There are 12 models for Drum pad  
with capacity of 2.16 Pairs per  
annual

**85**

**Employees**

**2.04m+**

**Pairs**

**2.16m+**

**Pairs**





# Drum Brake

---



## Models

---

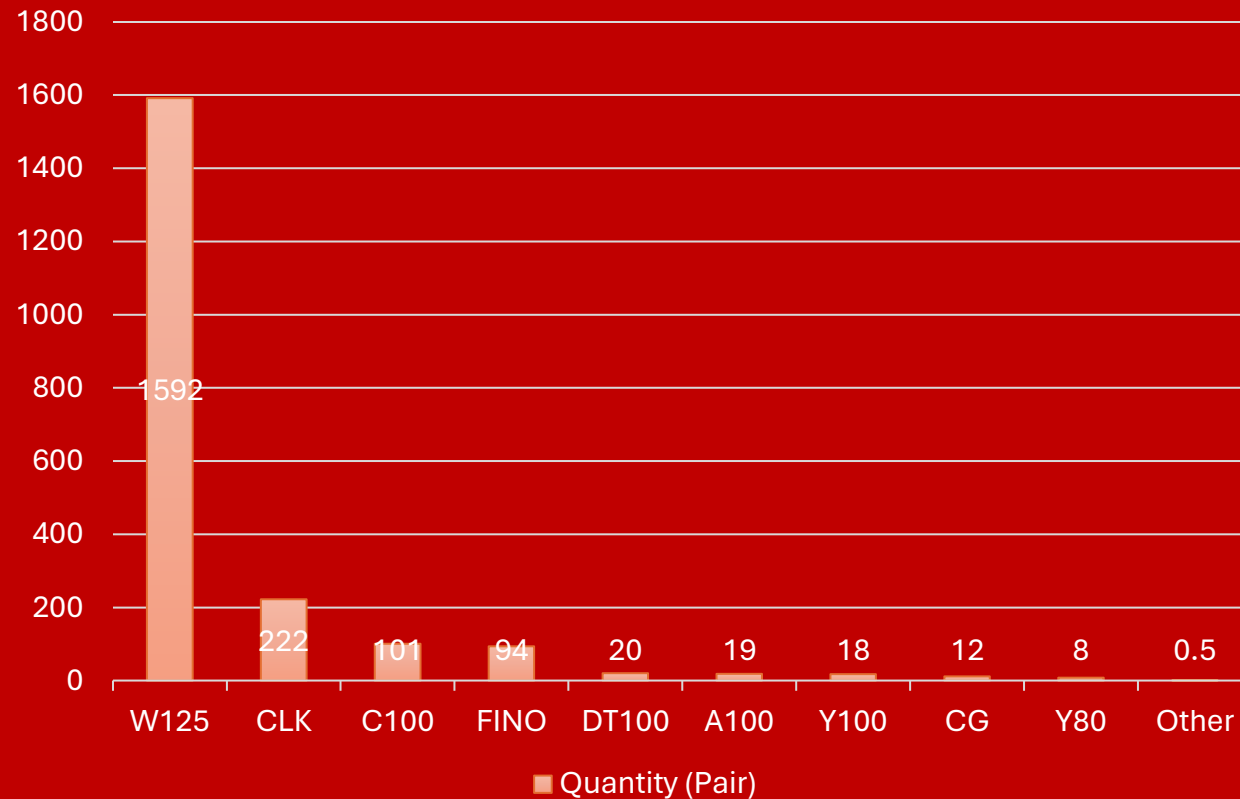
C100  
W125  
FINO  
Click  
Y80  
Y100  
A100  
CG125  
CGM  
DT100  
TMX  
AEROX

# Production Chart

This chart show quantities productions for Drum Brake and classify by sorting volume for each model



### Quantity (Pair) of Drum Brake 2023



Unit : 1000



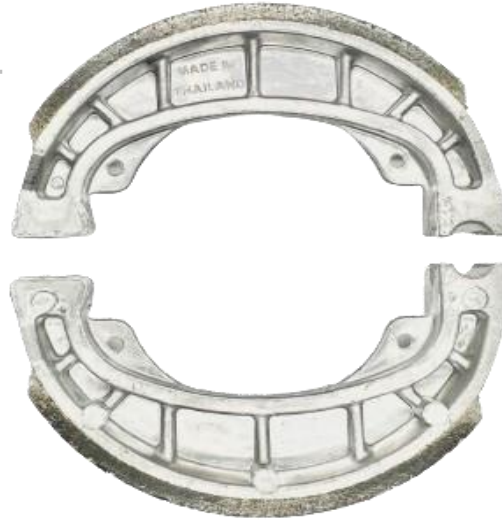
# List of products

## Drum Brake

There is 11 models of Disc Brake

### C-100

Material :  
Aluminum

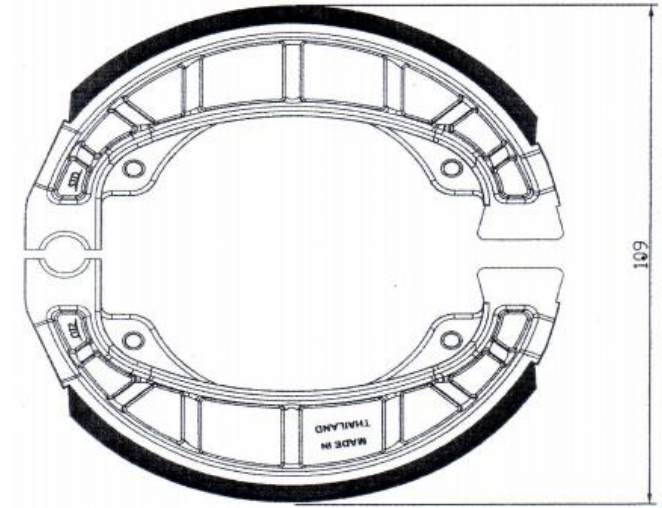


Dimension :

+0.2

Dia = 109mm

-0.2



### W125

Material :  
Aluminum

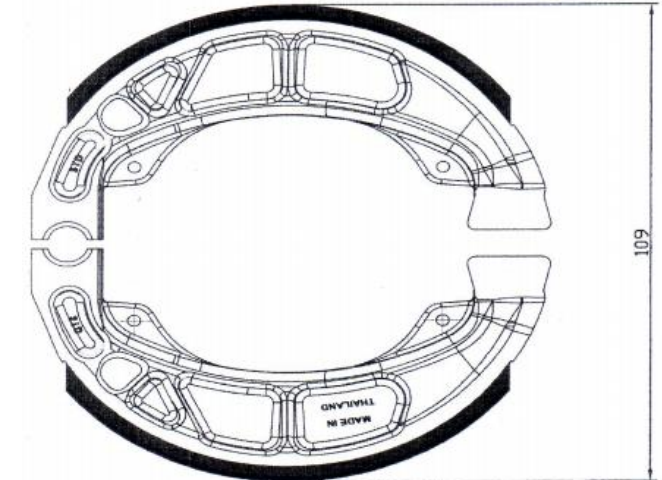


Dimension :

+0.2

Dia = 109mm

-0.2



# List of products

## Drum Brake

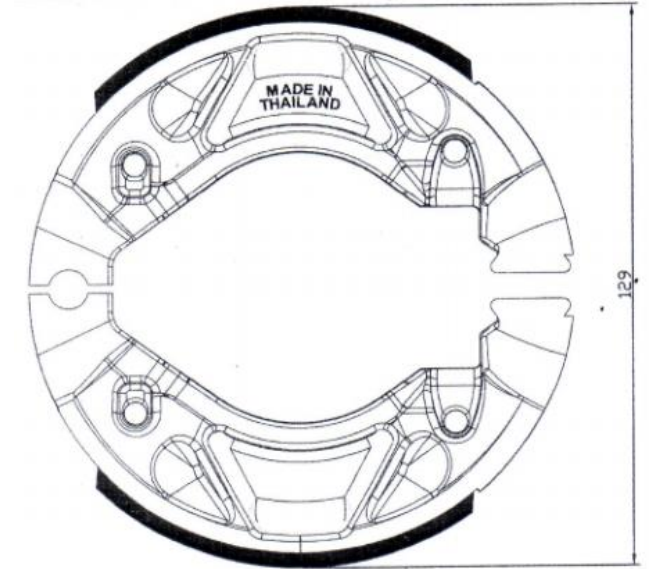
Different models are different size and diameter

### FINO

Material :  
Aluminum



Dimension :  
+0.2  
Dia = 129mm  
-0.2

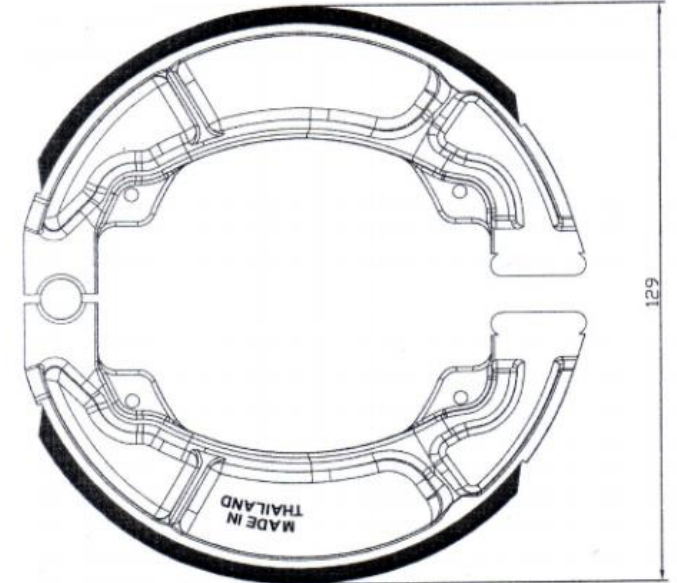


### CLICK

Material :  
Aluminum



Dimension :  
+0.2  
Dia = 129mm  
-0.2



# List of products

## Drum Brake

Diameter and size of motorcycle wheel hub must suitable

### Y-80

Material :  
Aluminum

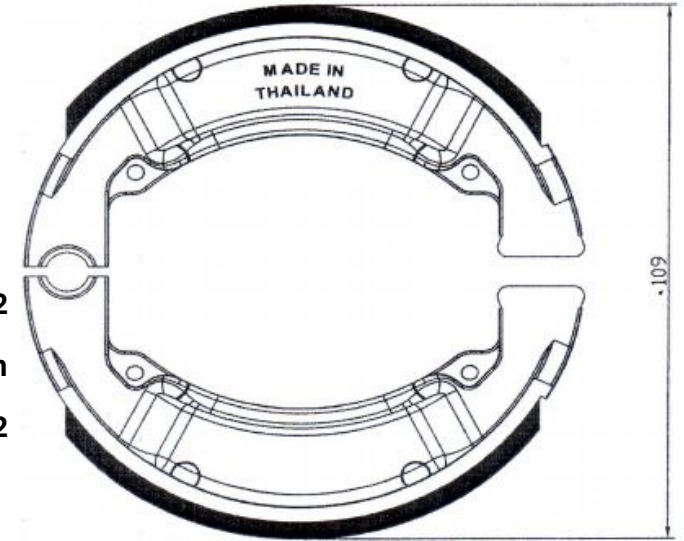


Dimension :

+0.2

Dia = 109mm

-0.2



### Y-100

Material :  
Aluminum

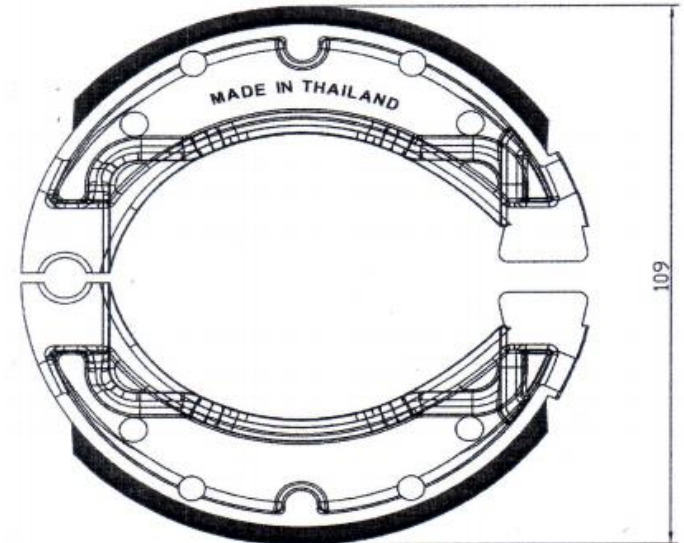


Dimension :

+0.2

Dia = 109mm

-0.2





# List of products

## Drum Brake

There is 11 models of Disc Brake

### RC100

Material :  
Aluminum

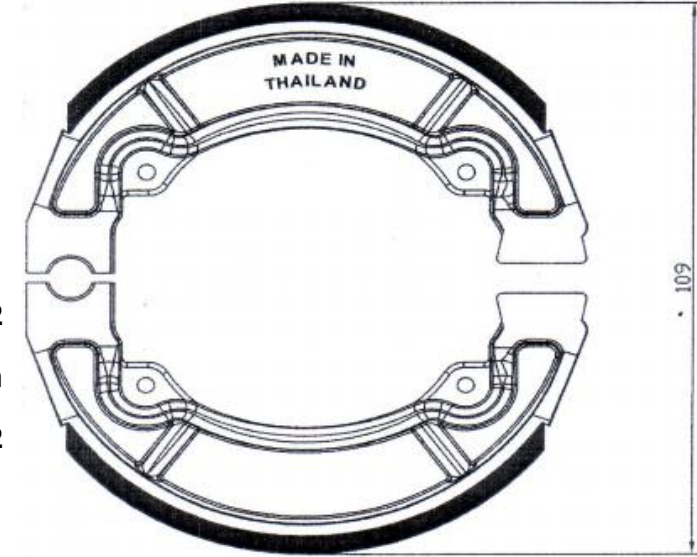


Dimension :

+0.2

Dia = 109mm

-0.2



### CG-125

Material :  
Aluminum

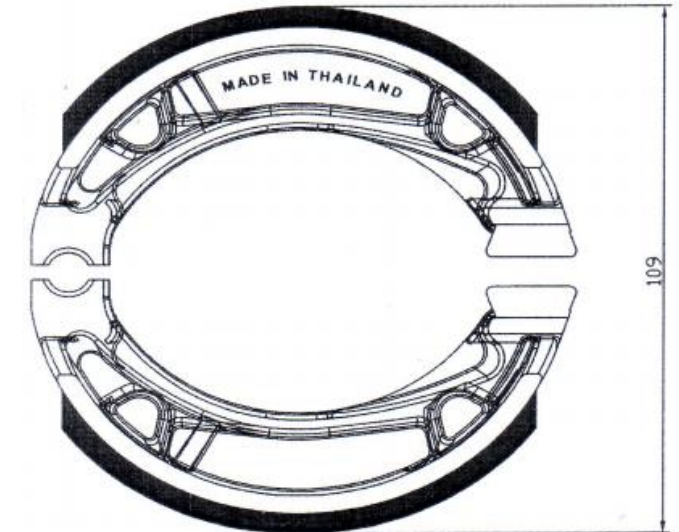


Dimension :

+0.2

Dia = 109mm

-0.2



# List of products

## Drum Brake

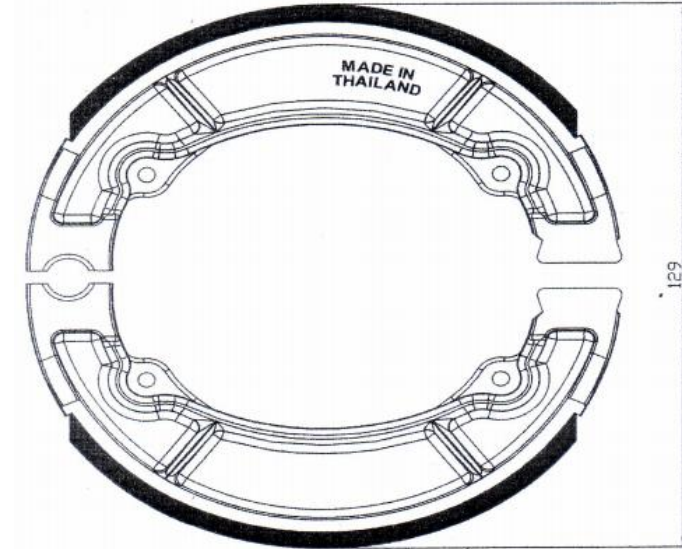
There is 11 models of Disc Brake

### DT-100

Material :  
Aluminum



Dimension :  
+0.2  
Dia = 129mm  
-0.2

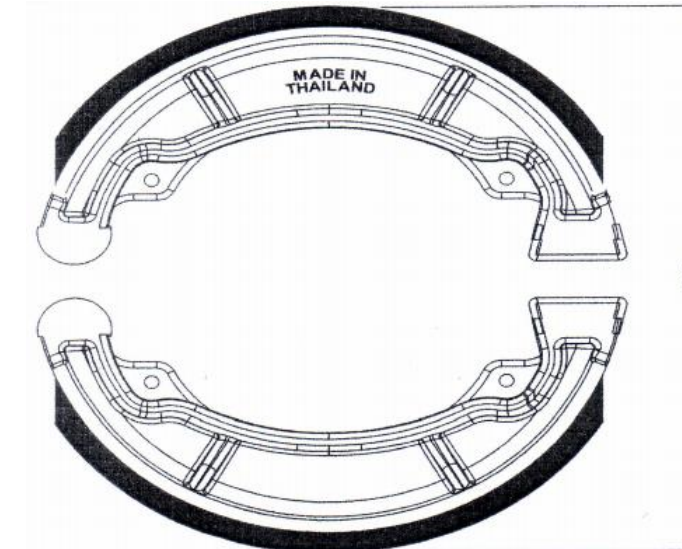


### TMX

Material :  
Aluminum



Dimension :  
+0.2  
Dia = 129mm  
-0.2







# Disc Brake

---



## Models

---

NO-R	Scoopy 2021 /	SPACY
NO-F	Vario	SH125R
W125	SH-125i	SH125F
CLICK	SURAIIDER R	ATTILA
AKIRA-F	SURAIIDER F	VESPA/DRON
W110	R15	E-R
CLICK-i	CBR250 R	LIBERTY
FINO	X-MAX-R	CBR
SONIC	X-MAX-F	KSR-F
MIO	DRONE-F	G.Filano
NOUVO	R15 F 2022	KSR-R
BELL	(Suraider F	NO-R reverse
PCX	L/R)	PCX 2018
LEAD	NIU	
	CB150	

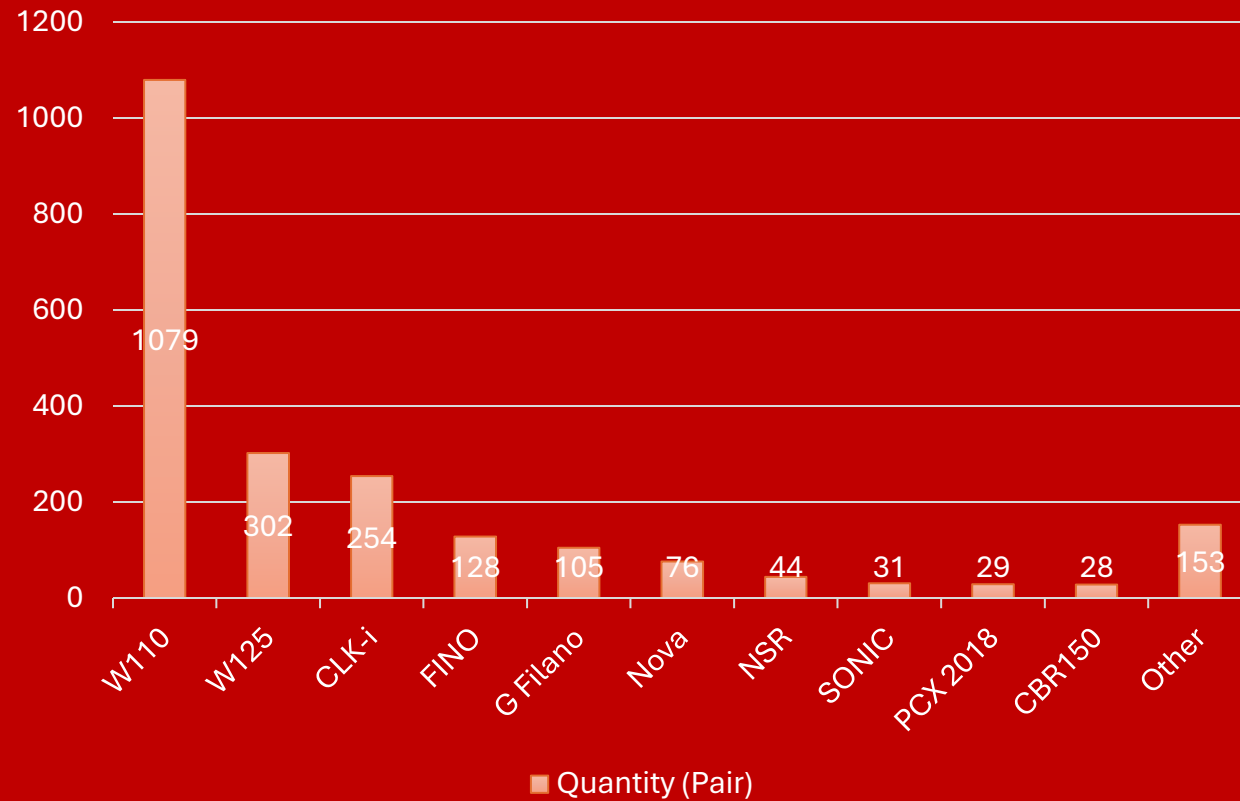


# Production Chart

This chart show quantities productions for Disc Brake and classify by sorting volume for each model



### Quantity (Pair) of Disc Brake 2023



Unit : 1000

# List of products

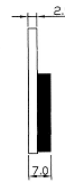
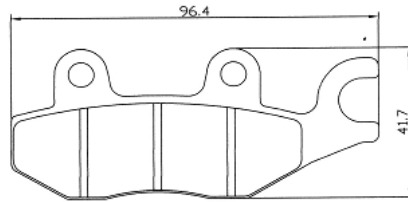
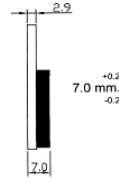
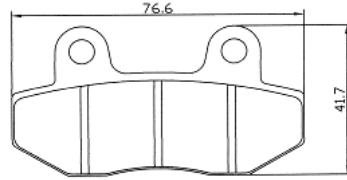
## Disc Brake

There is 40 models of Disc Brake

NO-R / NSR / AKIRA-F

Material : Steel

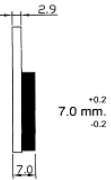
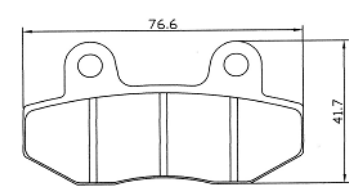
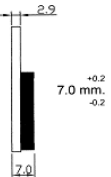
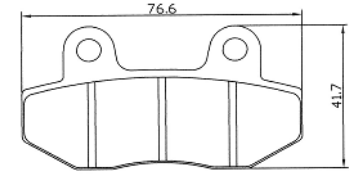
Dimension :



NOVA-F

Material : Steel

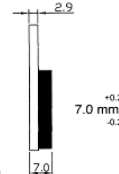
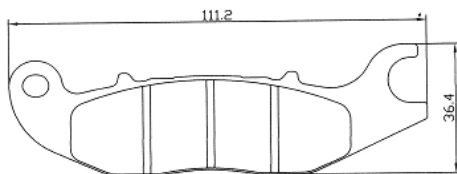
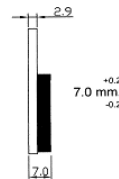
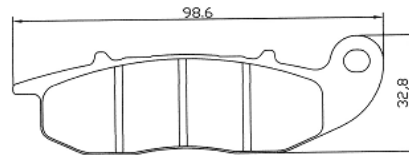
Dimension :



W125

Material : Steel

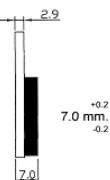
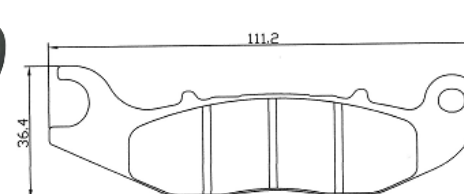
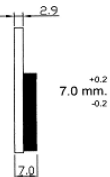
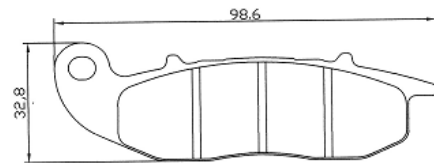
Dimension :



CLK125

Material : Steel

Dimension :



# List of products

## Disc Brake

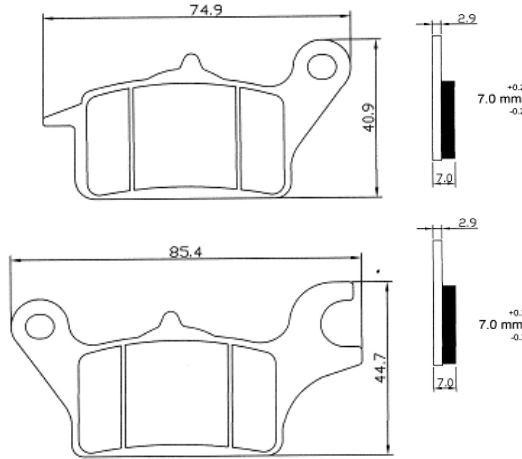
Difference models use different steel pad

W110i

Material : Steel



Dimension :

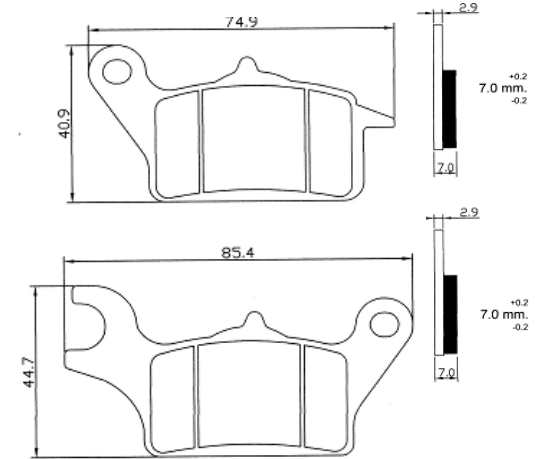


CLICK-i

Material : Steel



Dimension :

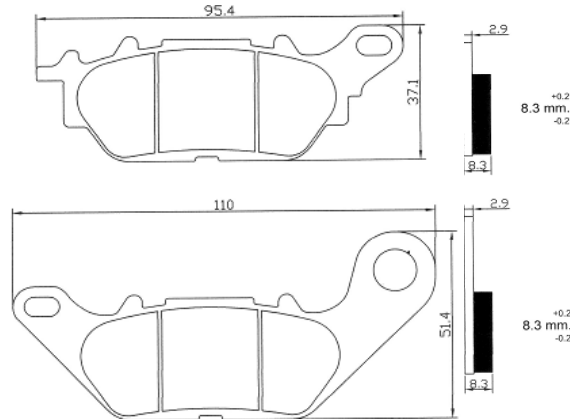


FINO

Material : Steel



Dimension :

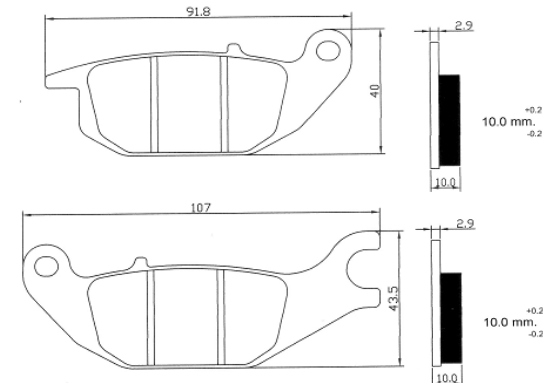


SONIC

Material : Steel



Dimension :





# List of products

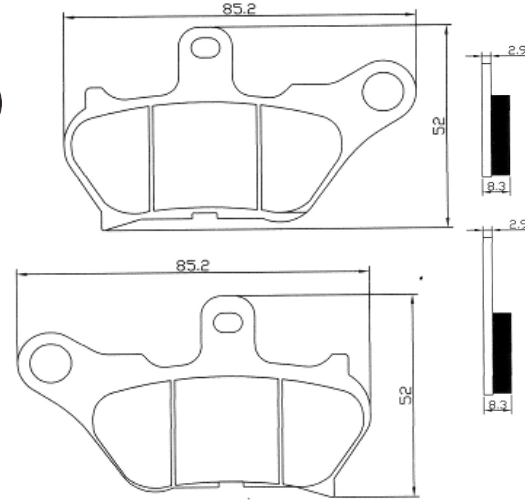
## Disc Brake

Thickness lining depend on models which different model use different thickness

MIO

Material : Steel

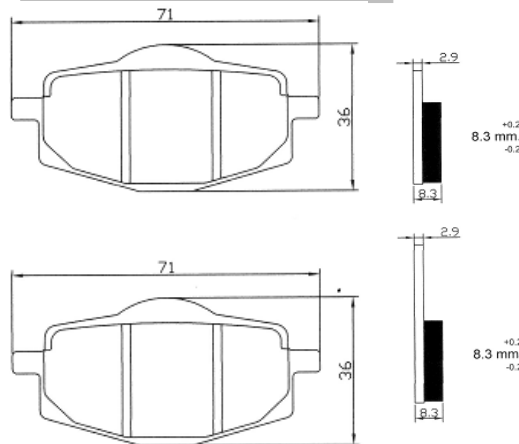
Dimension :



BELLE

Material : Steel

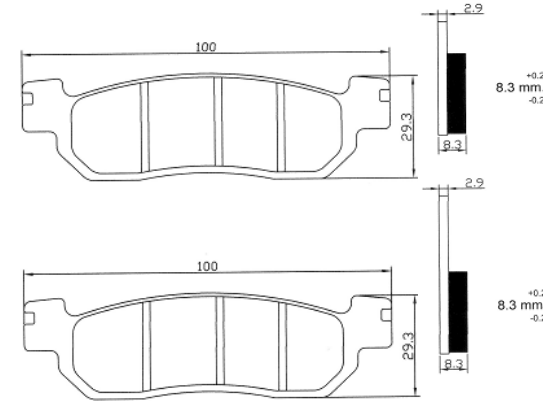
Dimension :



NOUVO

Material : Steel

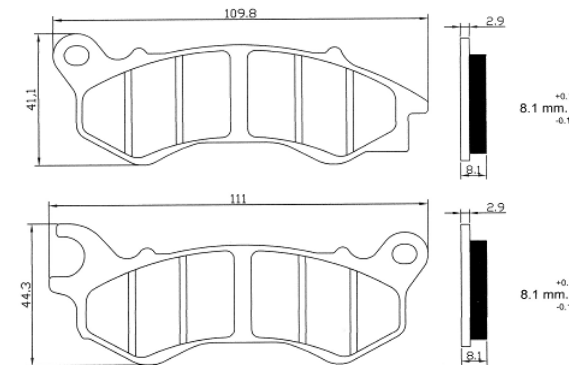
Dimension :



PCX

Material : Steel

Dimension :



# List of products

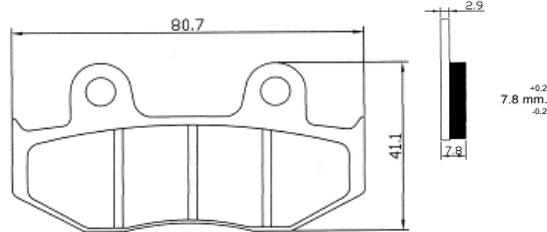
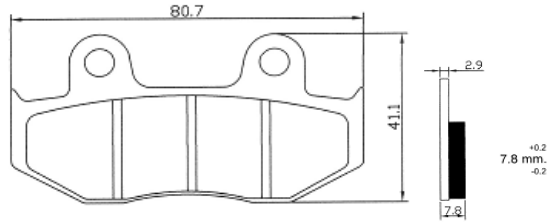
## Disc Brake

There is many type of lining for asbestos and non asbestos

SPACY125

Material : Steel

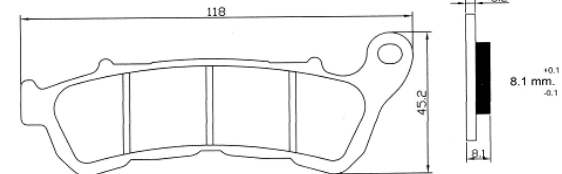
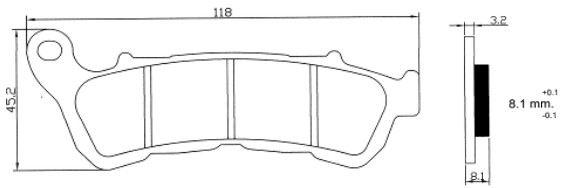
Dimension :



SH-125-R / FORZA-R

Material : Steel

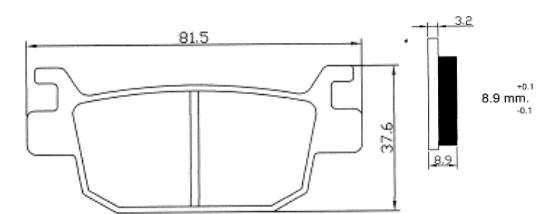
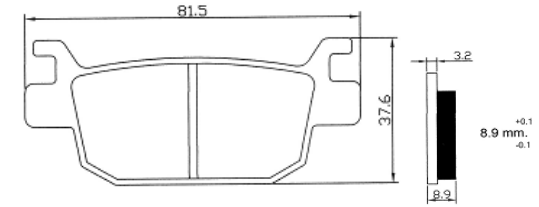
Dimension :



SH-125-R / FORZA-R

Material : Steel

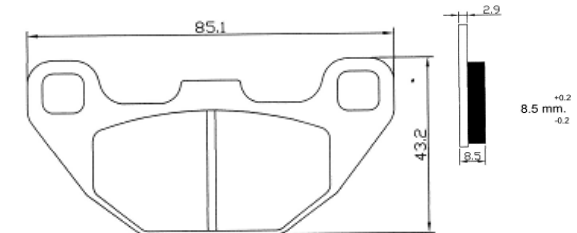
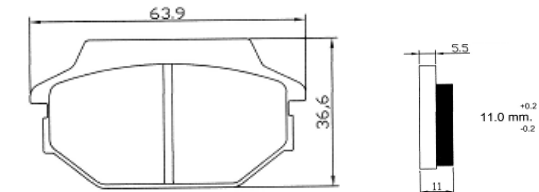
Dimension :



ATTILA

Material : Steel

Dimension :



# List of products

## Disc Brake

The color on steel is cover by powder coat

VESPA

Material : Steel

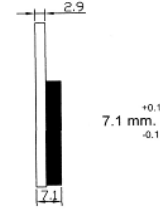
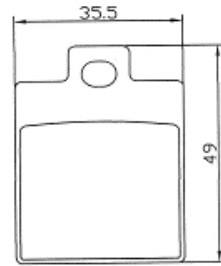
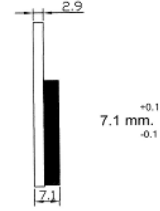
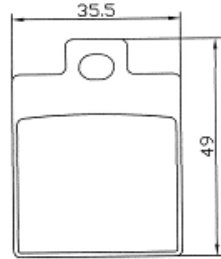


KSR-F

Material : Steel



Dimension :



CBR

Material : Steel

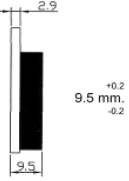
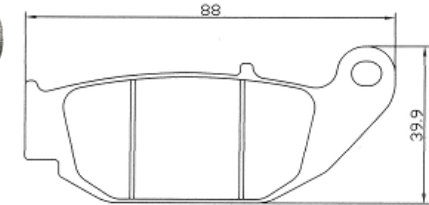
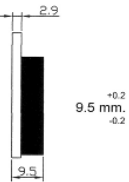
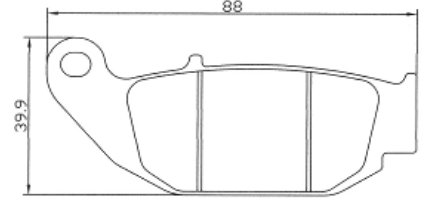


GRAND FILANO

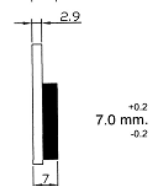
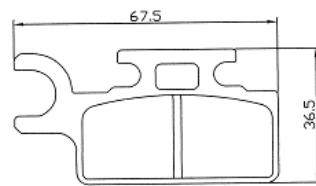
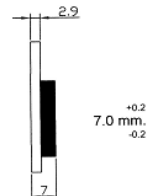
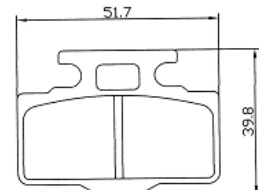
Material : Steel



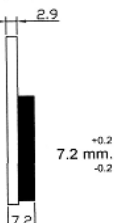
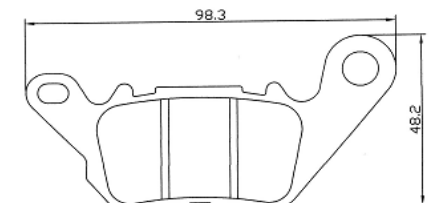
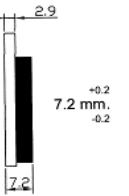
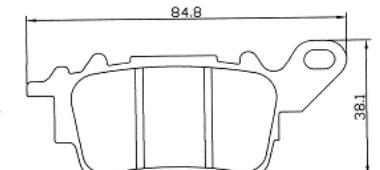
Dimension :



Dimension :



Dimension :





# List of products

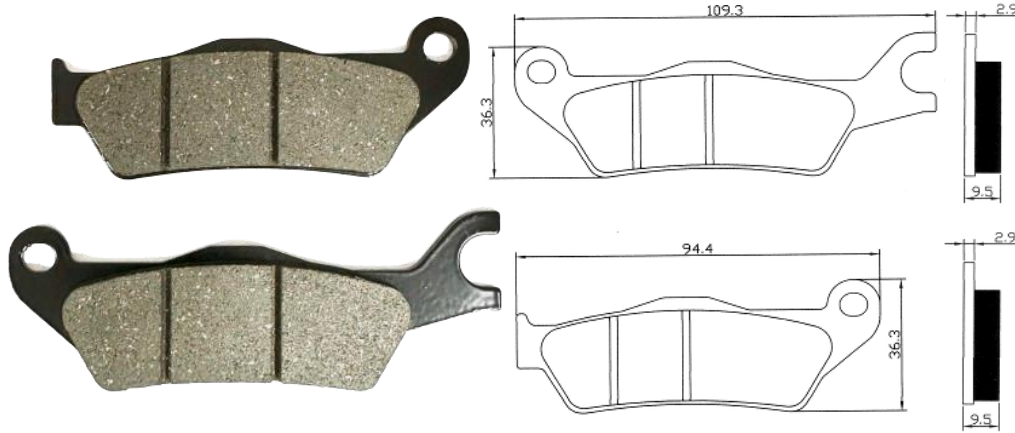
## Disc Brake

There is 40 models of Disc Brake

### SUZUKI RIDER-F

Material : Steel

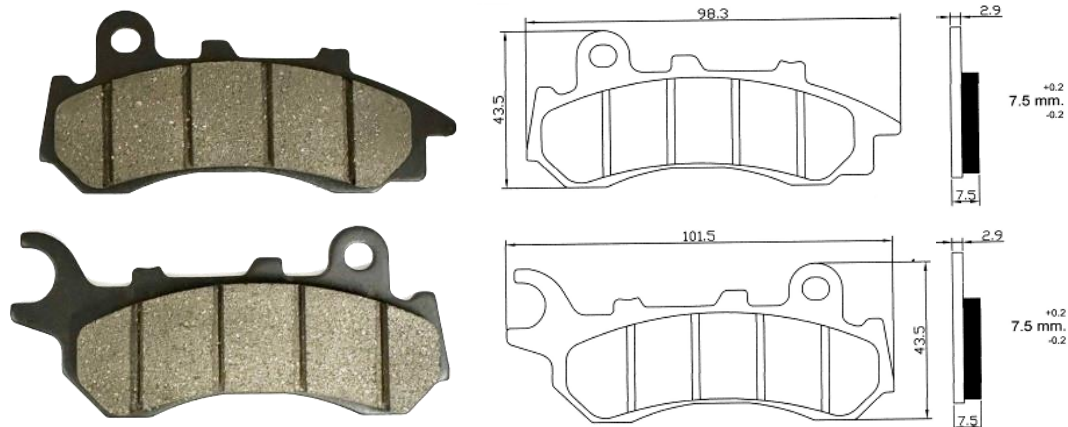
Dimension :



### PCX2018

Material : Steel

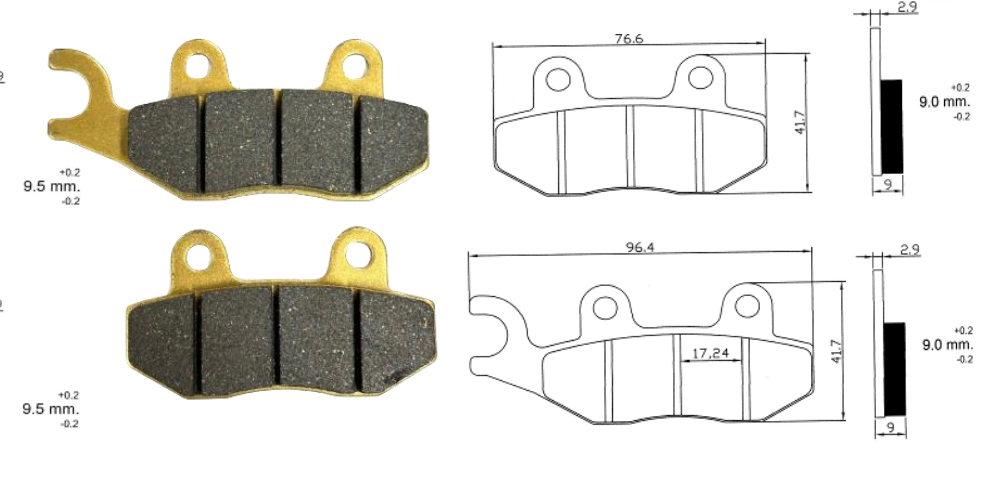
Dimension :



### KR-F

Material : Steel

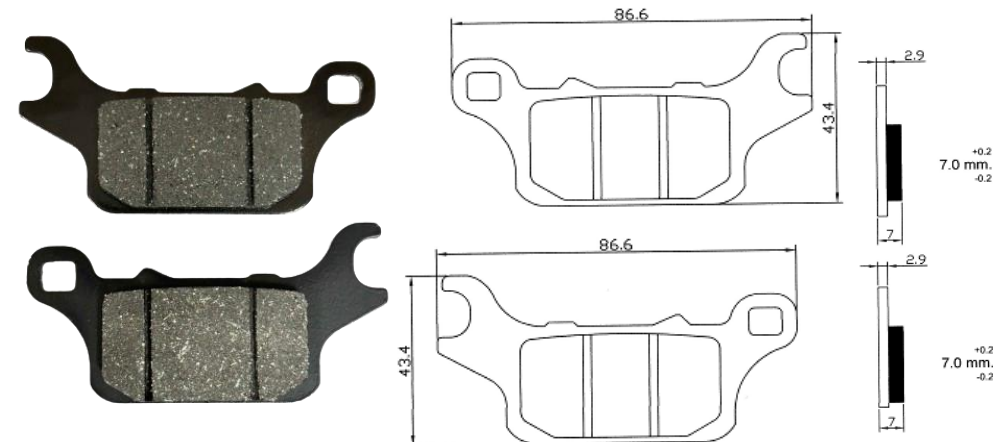
Dimension :



### VARIO

Material : Steel

Dimension :



# List of products

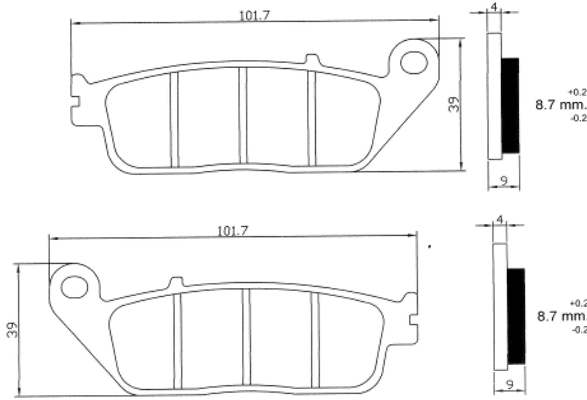
**Disc Brake**  
There is 40 models of Disc Brake

SH-125i

Material : Steel



Dimension :

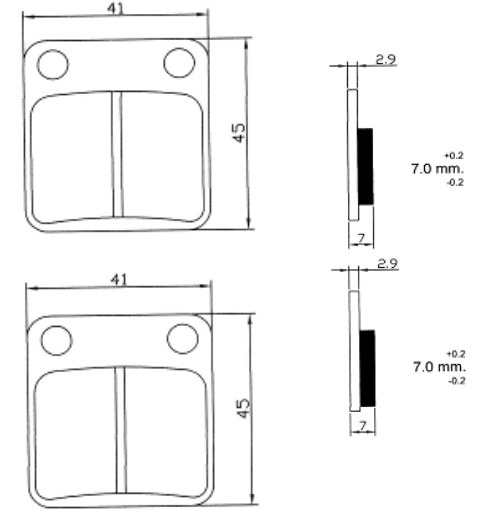


KSR-R

Material : Steel



Dimension :

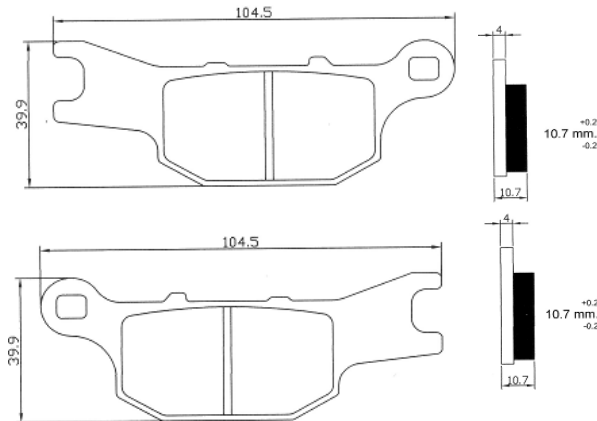


RAIDER-R

Material : Steel



Dimension :

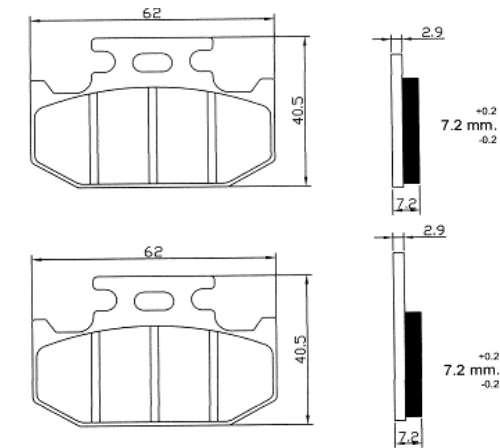


R15-R (2017)

Material : Steel



Dimension :



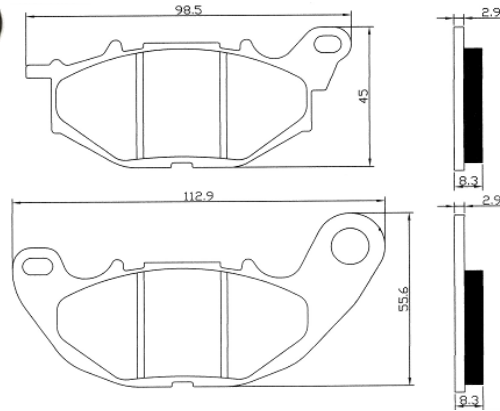
# List of products

**Disc Brake**  
NIU is disc brake for electric motorcycle

## X-Max F

Material : Steel

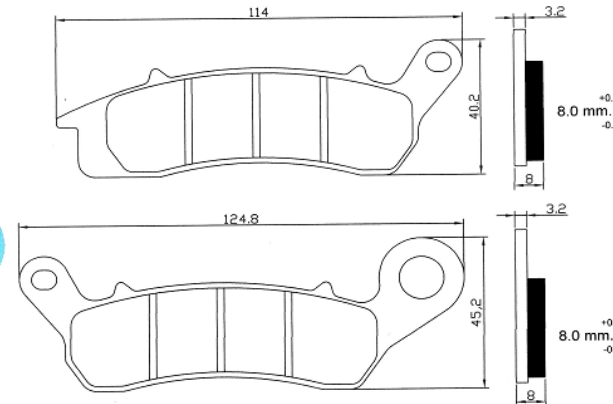
Dimension :



## NIU

Material : Steel

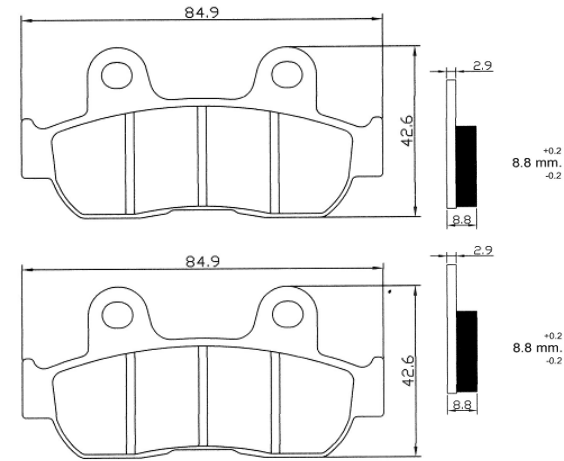
Dimension :



## LEAD

Material : Steel

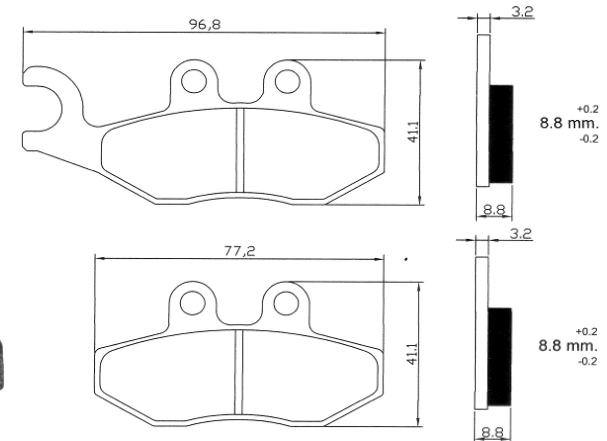
Dimension :



## Liberty

Material : Steel

Dimension :





# Get in Touch



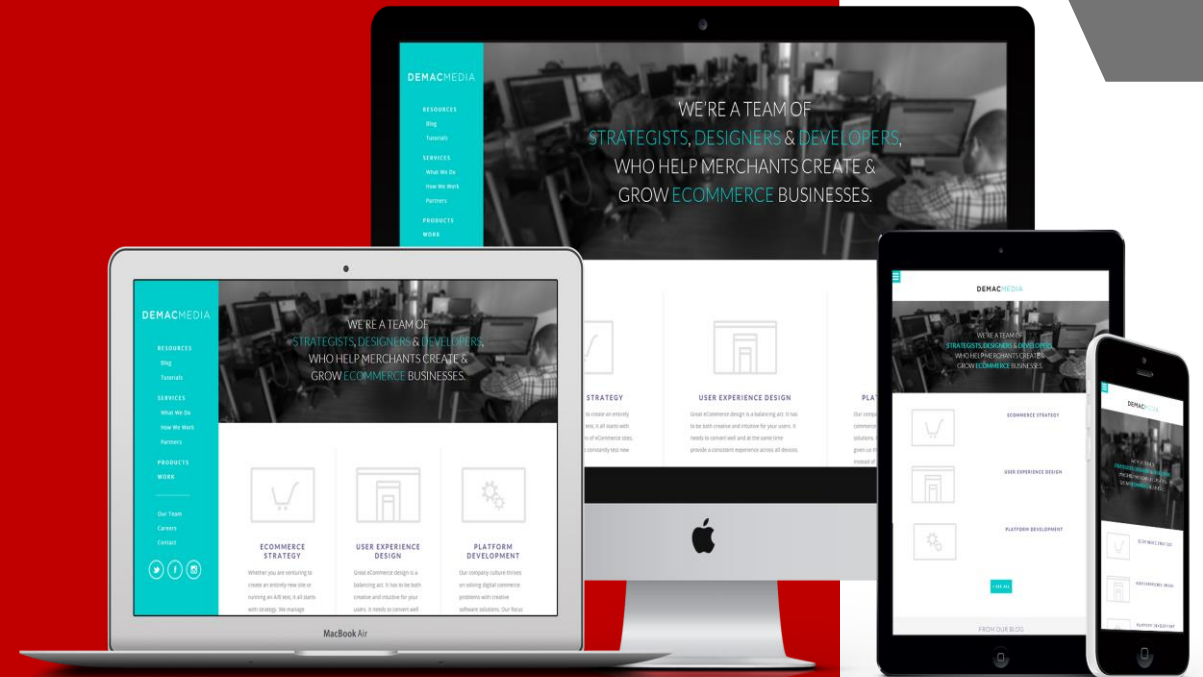
[www.stdc caliberbrake.com](http://www.stdc caliberbrake.com)

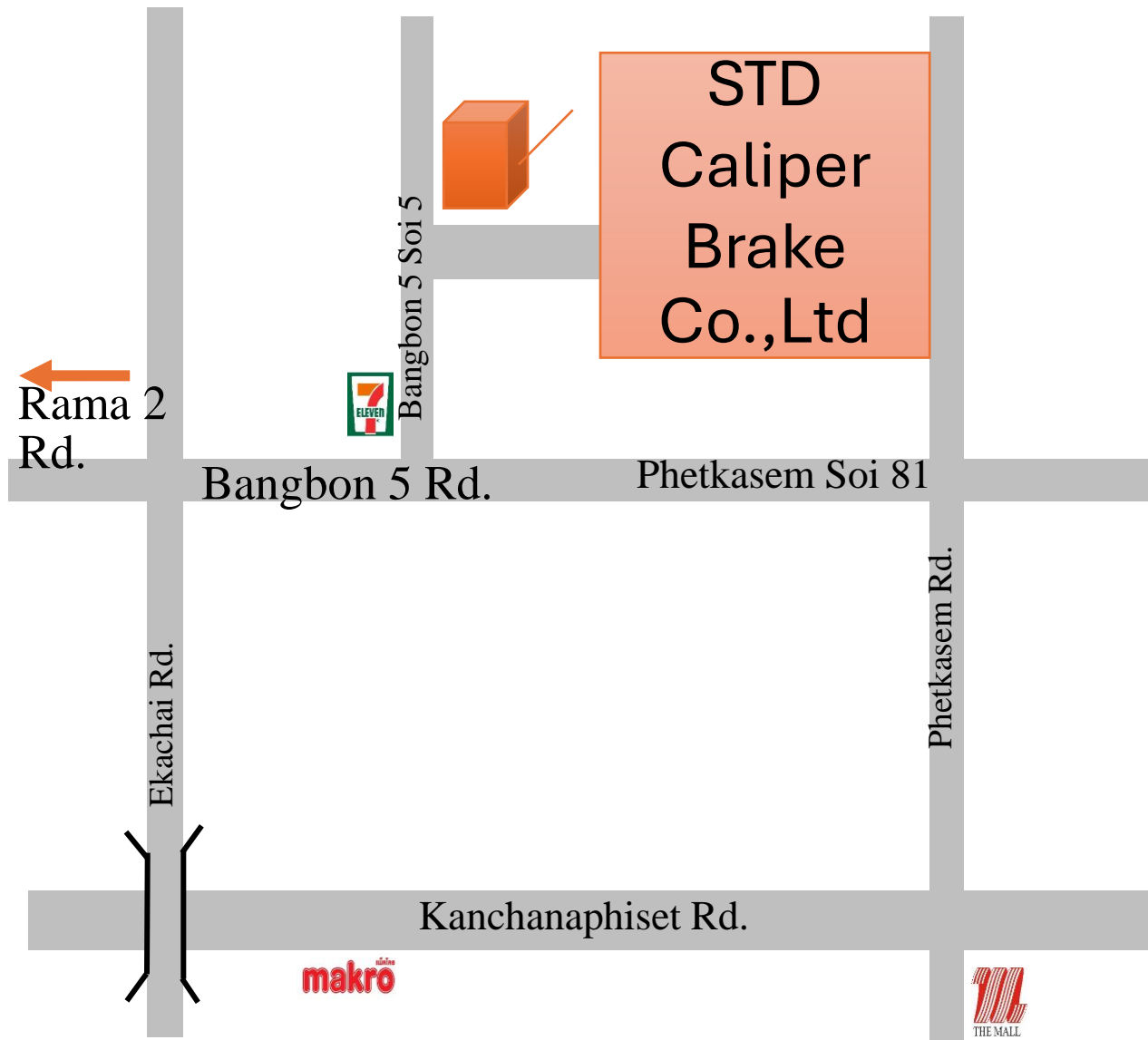


[manassawin\\_j@stdcaliberbrake.com](mailto:manassawin_j@stdcaliberbrake.com)



++662-814-9972





# Company Address



172 Moo.1 Khae rai  
Krathumbaen  
Samutsakorn 74110  
Tel : 662-814-9972