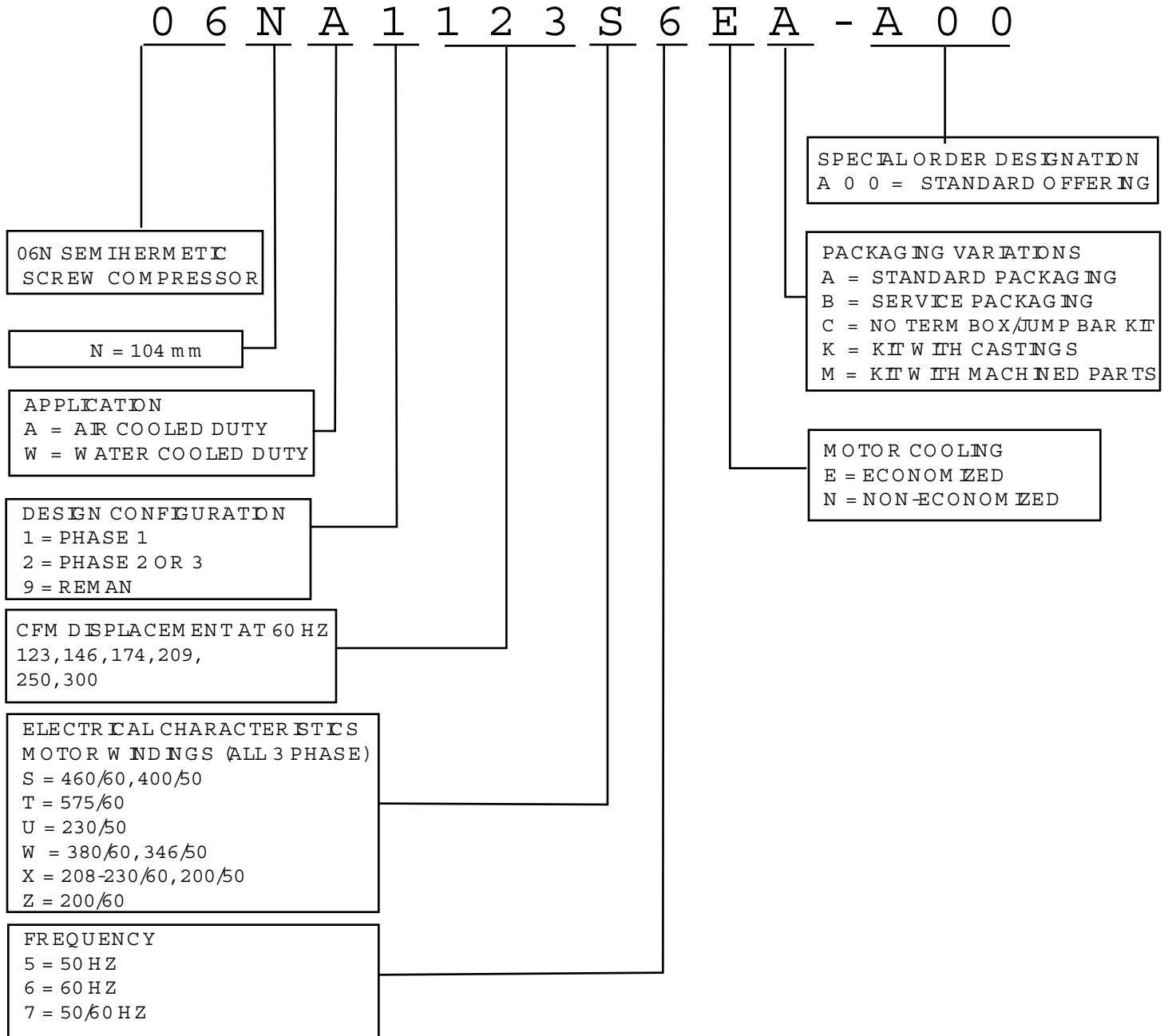
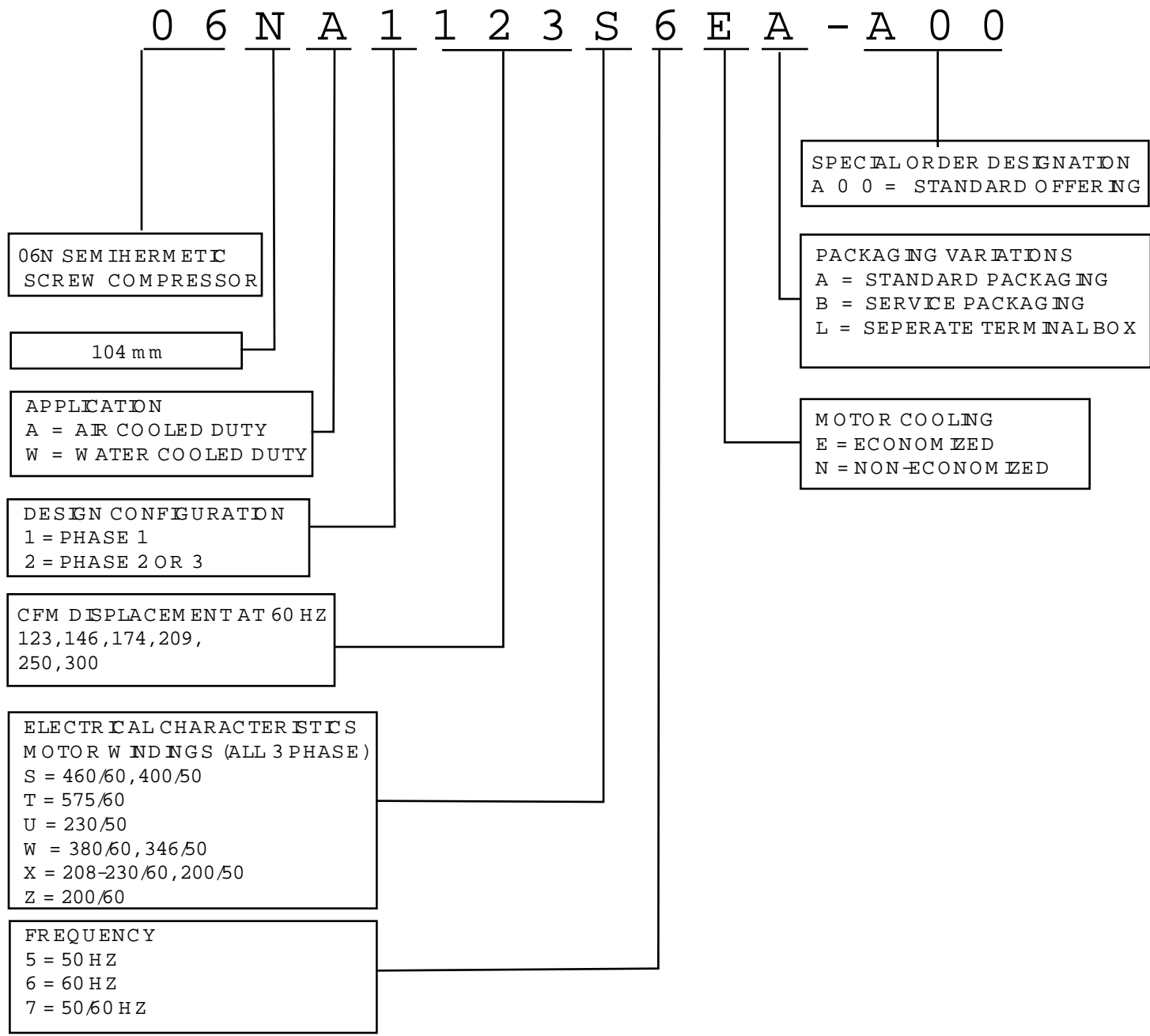


### 06N SCREW COMPRESSOR SIGNIFICANCE CHART

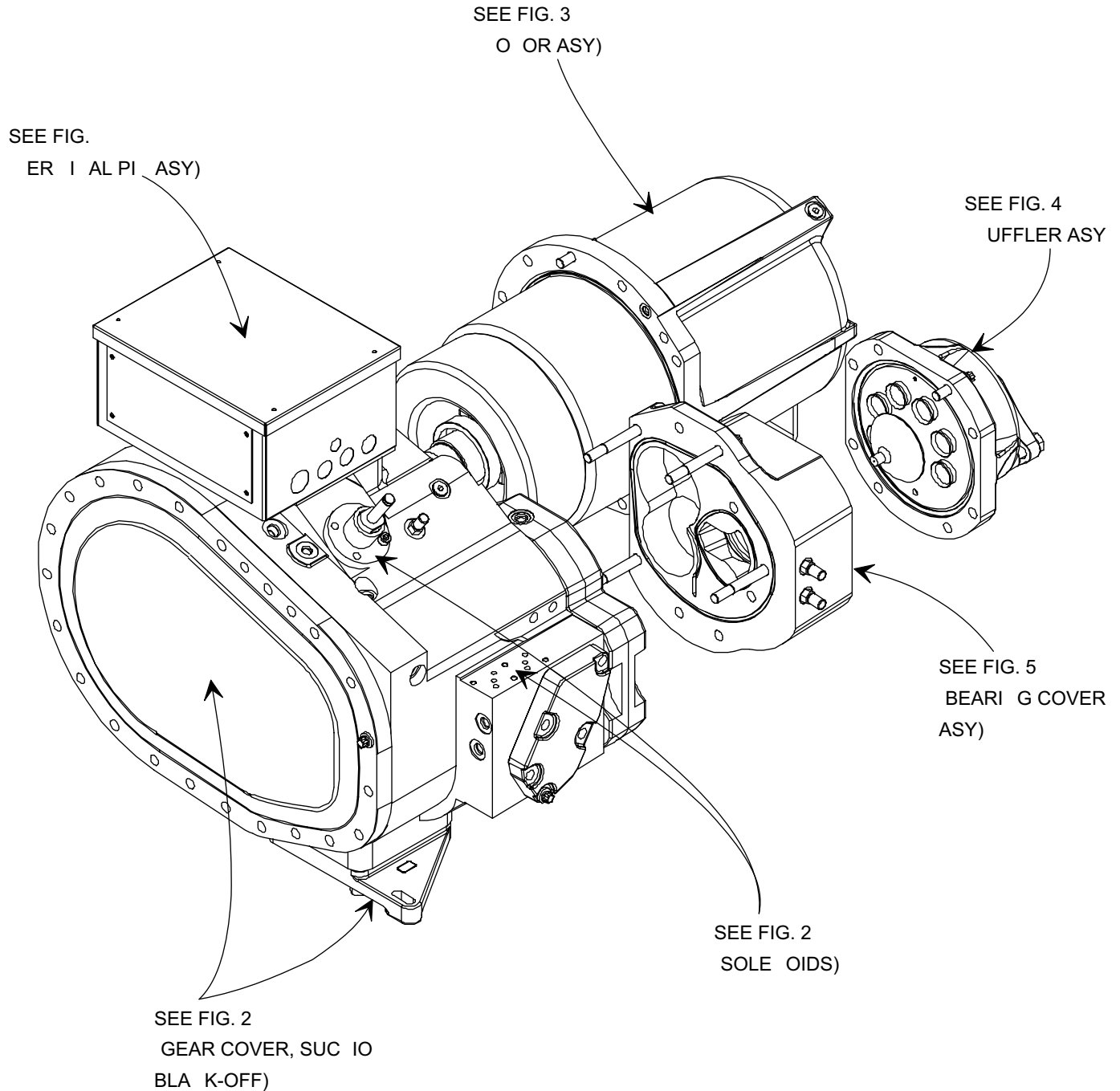


### 06N SCREW COMPRESSOR SIGNIFICANCE CHART

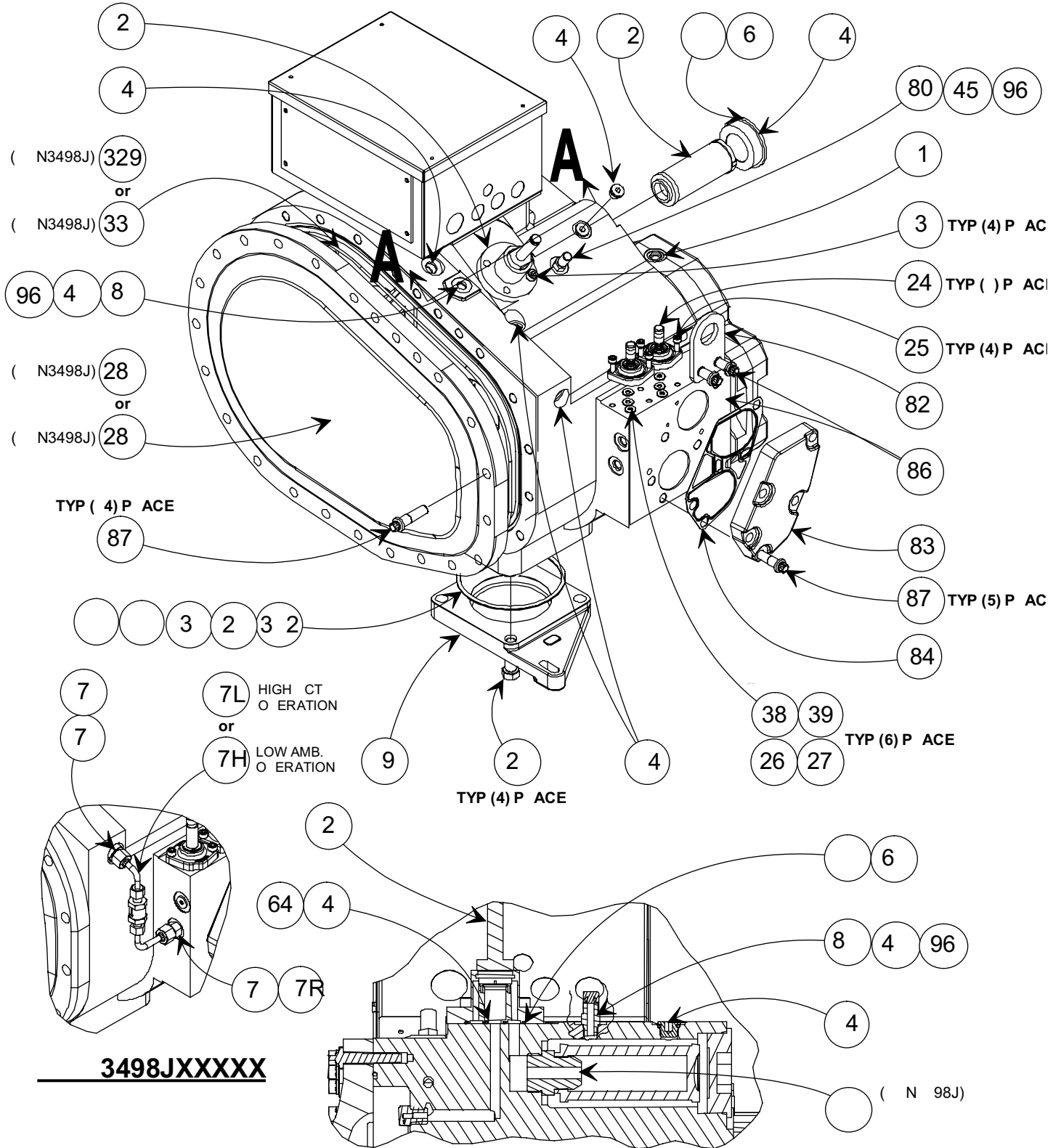


### FIGURE AI O PRESSOR VIEW

CO PRESSOR SHOW IS SS 349 JXXXXX)  
SEE FIGURE 7 FOR U IQUE I E S USED O EARLIER CO PRESORS, PS 349 JXXXXX)

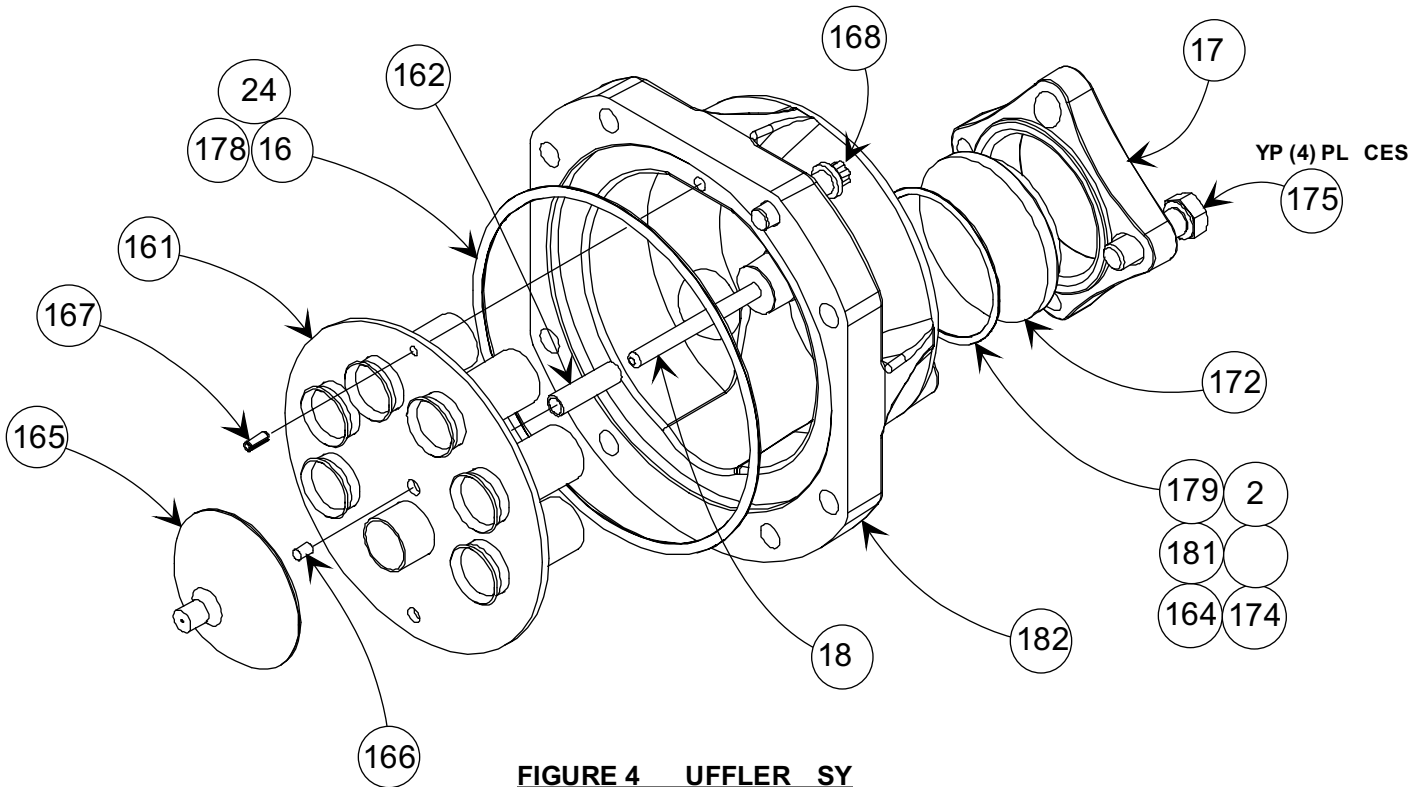
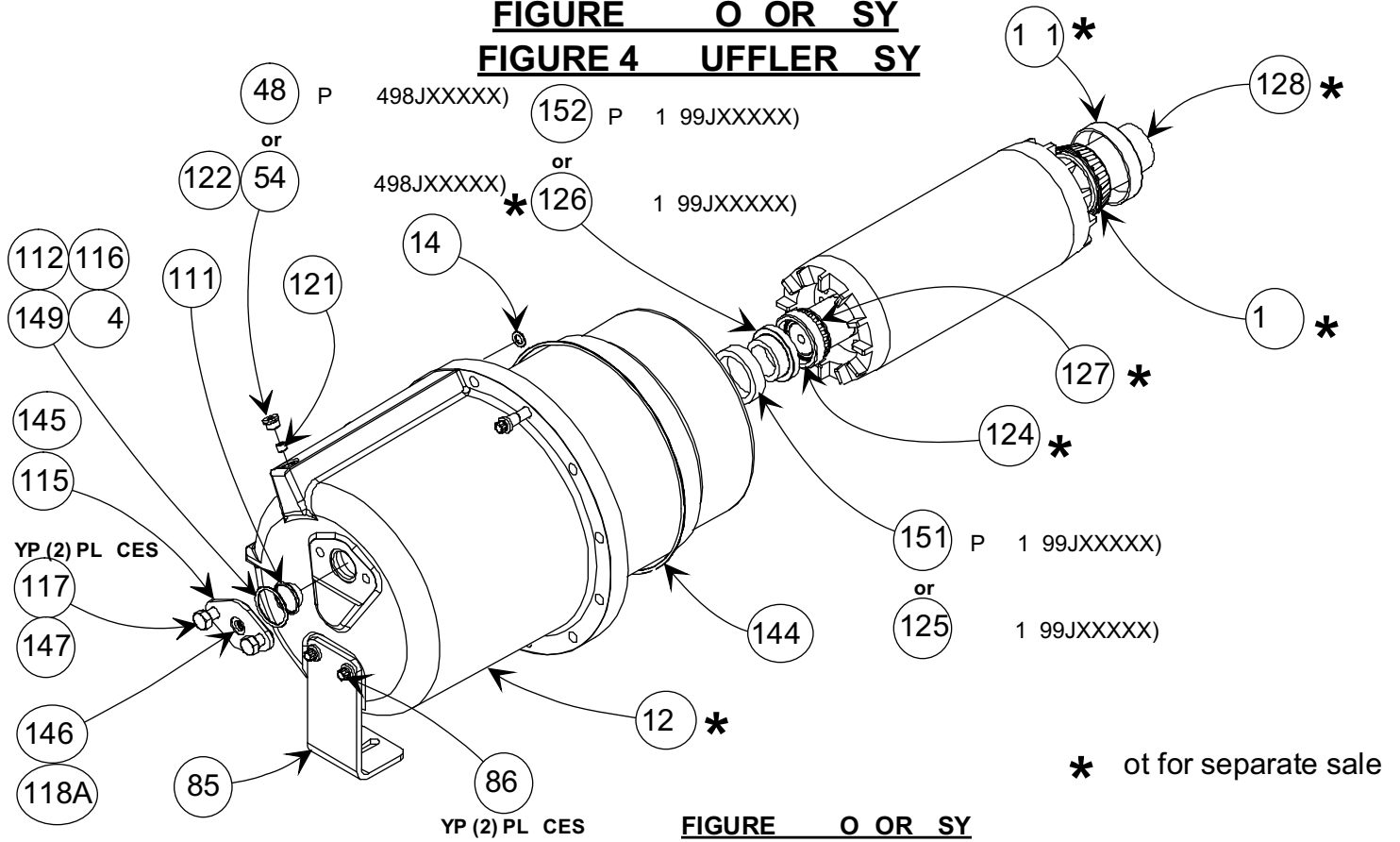


**FIGURE O E O I D , GEAR COVER, U C T I O B A K O F F**



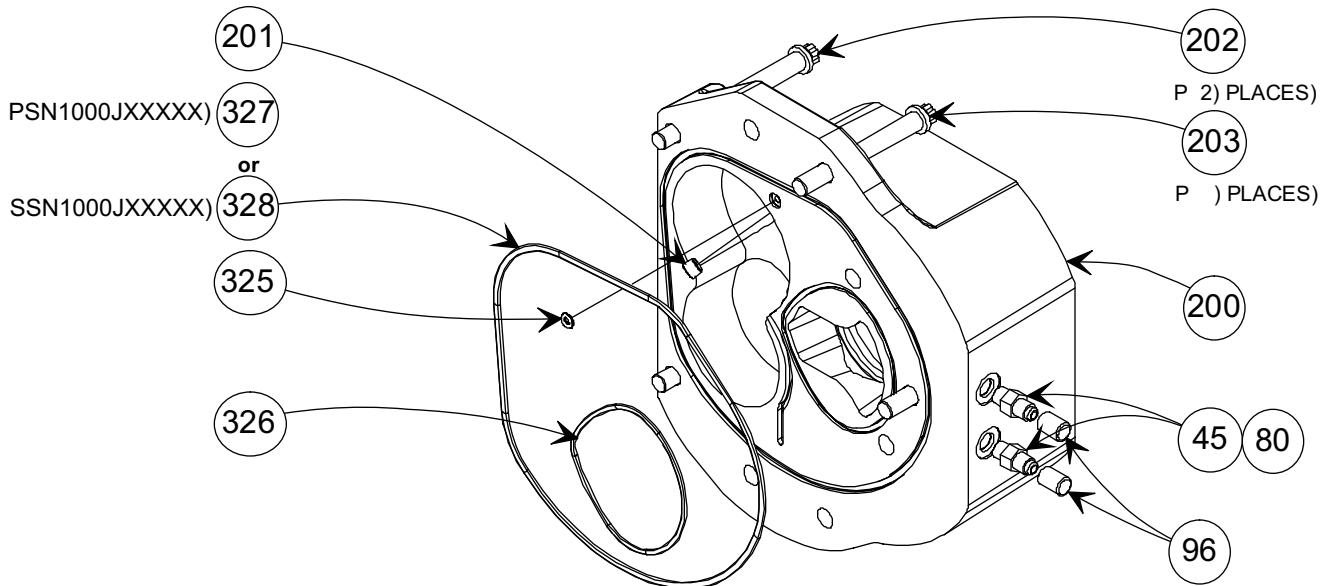
**ECTIO A A**  
(from t i s s e e t)

**FIGURE O OR SY**  
**FIGURE 4 UFFLER SY**

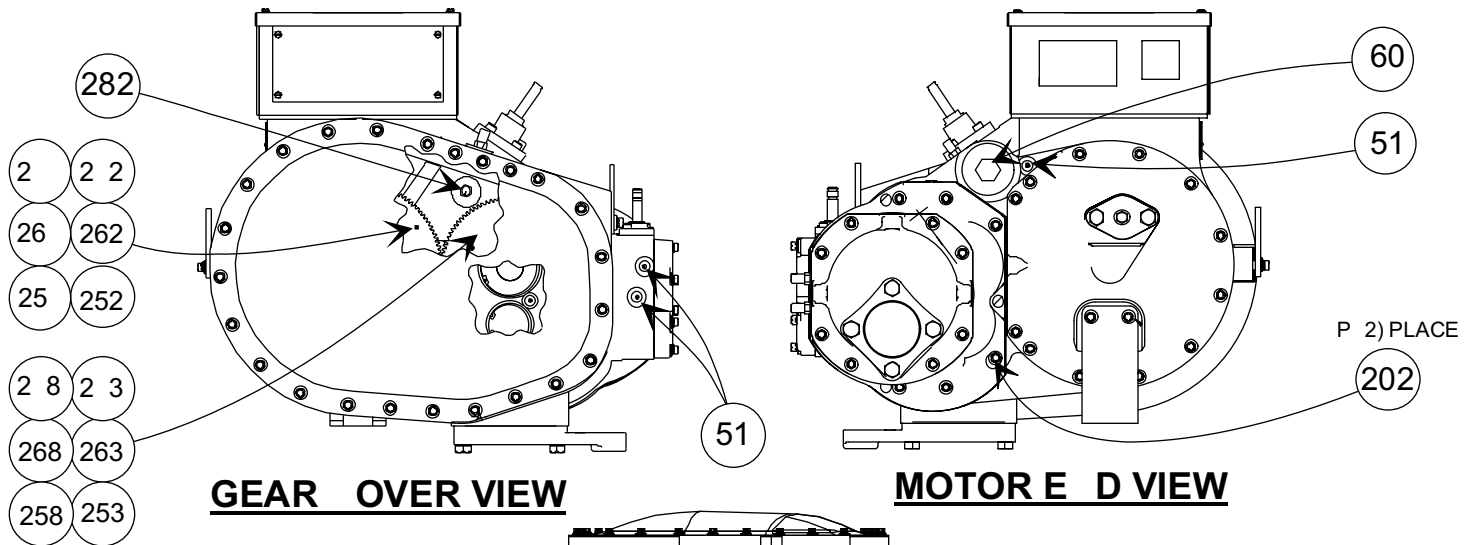


Moto Kits: Wh Us						REF O LY	
119 Kit #	3 GX & HXA		3 HXC			123 Stato #	129 Roto #
	Economiz	on-Economiz	Economiz	on-Economiz			
06NZJ23 0				06N * 23 6N*	06N * 46 7N*	06N*J23 53	06N*J23*52
06NZJ23H0				06N * 23S6N*	06N * 46S7N*	06N*J23H53	06N*J23*52
06NZJ23J0				06N * 23T6N*	06N * 46T6N*	06N*J23J53	06N*J23*52
06NZJ23T0				06N * 23 6N*	06N * 46 7N*	06N*J23T53	06N*J23*52
06NZJ23L0					06N * 46U5N*	06N*J23L53	06N*J23*52
06NZJ23F0				06N * 23Z6N*	06N * 46Z6N*	06N*J23F53	06N*J23*52
06NZK23 0			06N * 46 7E*	06N * 74 7N*		06N*K23 53	06N*K23*52
06NZK23H0			06N * 46S7E*	06N * 74S7N*		06N*K23H53	06N*K23*52
06NZK23J0			06N * 46T6E*	06N * 74T6N*		06N*K23J53	06N*K23*52
06NZK23T0			06N * 46 7E*	06N * 74 7N*		06N*K23T53	06N*K23*52
06NZK23L0			06N * 46U5E*	06N * 74U5N*		06N*K23L53	06N*K23*52
06NZK23F0			06N * 46Z6E*	06N * 74Z6N*		06N*K23F53	06N*K23*52
06NZM23 0		06NA* 23 6N*	06N * 74 7E*	06N *20 7N*		06N*M23 53	06N*M23*52
<b>ZM23H 9</b>		06NA* 23S6N*	06N * 74S7E*	06N *20 S7N*		<b>*M23H53</b>	<b>*M23*52</b>
06NZM23J0		06NA* 23T6N*	06N * 74T6E*	06N *20 T6N*		06N*M23J53	06N*M23*52
06NZM23T0		06NA* 23 6N*	06N * 74 7E*	06N *20 7N*		06N*M23T53	06N*M23*52
06NZM23L0			06N * 74U5E*	06N *20 U5N*		06N*M23L53	06N*M23*52
06NZM23F0		06NA* 23Z6N*	06N * 74Z6E*	06N *20 Z6N*		06N*M23F53	06N*M23*52
06NZP23 0	06NA* 23 6E*	06NA* 46 7N*	06N *20 7E*	06N *250 7N*		06N*P23 53	06N*P23*52
<b>ZP23H 9</b>	06NA* 23S6E*	06NA* 46S7N*	06N *20 S7E*	06N *250S7N*		<b>*P23H53</b>	<b>*P23*52</b>
06NZP23J0	06NA* 23T6E*	06NA* 46T6N*	06N *20 T6E*	06N *250T6N*		06N*P23J53	06N*P23*52
06NZP23T0	06NA* 23 6E*	06NA* 46 7N*	06N *20 7E*	06N *250 7N*		06N*P23T53	06N*P23*52
06NZP23L0		06NA* 46U5N*	06N *20 U5E*	06N *250U5N*		06N*P23L53	06N*P23*52
06NZP23F0	06NA* 23Z6E*	06NA* 46Z6N*	06N *20 Z6E*	06N *250Z6N*		06N*P23F53	06N*P23*52
06NZQ23 0	06NA* 46 7E*	06NA* 74 7N*	06N *250 7E*	06N *300 5N*		06N*Q23 53	06N*Q23*52
<b>ZQ23H 9</b>	06NA* 46S7E*	06NA* 74S7N*	06N *250S7E*	06N *300S5N*		<b>*Q23H53</b>	<b>*Q23*52</b>
06NZQ23J0	06NA* 46T6E*	06NA* 74T6N*	06N *250T6E*			06N*Q23J53	06N*Q23*52
06NZQ23T0	06NA* 46 7E*	06NA* 74 7N*	06N *250 7E*	06N *300 5N*		06N*Q23T53	06N*Q23*52
06NZQ23L0	06NA* 46U5E*	06NA* 74U5N*	06N *250U5E*	06N *300U5N*		06N*Q23L53	06N*Q23*52
06NZQ23F0	06NA* 46Z6E*	06NA* 74Z6N*	06N *250Z6E*			06N*Q23F53	06N*Q23*52
06NZR23 0	06NA* 74 7E*	06NA*20 7N*	06N *300 5E*			06N*R23 53	06N*R23*52
<b>ZR23H 9</b>	06NA* 74S7E*	06NA*20 S7N*	06N *300S5E*			<b>*R23H53</b>	<b>*R23*52</b>
06NZR23J0	06NA* 74T6E*	06NA*20 T6N*				06N*R23J53	06N*R23*52
06NZR23T0	06NA* 74 7E*	06NA*20 7N*	06N *300 5E*			06N*R23T53	06N*R23*52
06NZR23L0	06NA* 74U5E*	06NA*20 U5N*	06N *300U5E*			06N*R23L53	06N*R23*52
06NZR23F0	06NA* 74Z6E*	06NA*20 Z6N*				06N*R23F53	06N*R23*52
06NZS23 0	06NA*20 7E*	06NA*250 7N*				06N*S23 53	06N*S23*52
<b>ZS23H 9</b>	06NA*20 S7E*	06NA*250S7N*				<b>*S23H53</b>	<b>*S23*52</b>
06NZS23J0	06NA*20 T6E*	06NA*250T6N*				06N*S23J53	06N*S23*52
06NZS23T0	06NA*20 7E*	06NA*250 7N*				06N*S23T53	06N*S23*52
06NZS23L0	06NA*20 U5E*	06NA*250U5N*				06N*S23L53	06N*S23*52
06NZS23F0	06NA*20 Z6E*	06NA*250Z6N*				06N*S23F53	06N*S23*52
06NZU23 0	06NA*250 7E*	06NA*300 5N*				06N*U23 53	06N*U23*52
<b>ZU23H 9</b>	06NA*250S7E*	06NA*300S5N*				<b>*U23H53</b>	<b>*U23*52</b>
06NZU23J0	06NA*250T6E*					06N*U23J53	06N*U23*52
06NZU23T0	06NA*250 7E*	06NA*300 5N*				06N*U23T53	06N*U23*52
06NZU23L0	06NA*250U5E*	06NA*300U5N*				06N*U23L53	06N*U23*52
06NZU23F0	06NA*250Z6E*					06N*U23F53	06N*U23*52
06NZ 23 0	06NA*300 5E*					06N* 23 53	06N* 23*52
<b>ZW23H 9</b>	06NA*300S5E*					<b>*W23H53</b>	<b>*W23*52</b>
06NZ 23T0	06NA*300 5E*					06N* 23T53	06N* 23*52
06NZ 23L0	06NA*300U5E*					06N* 23L53	06N* 23*52

**FIGURE EARI G OVER ASY**

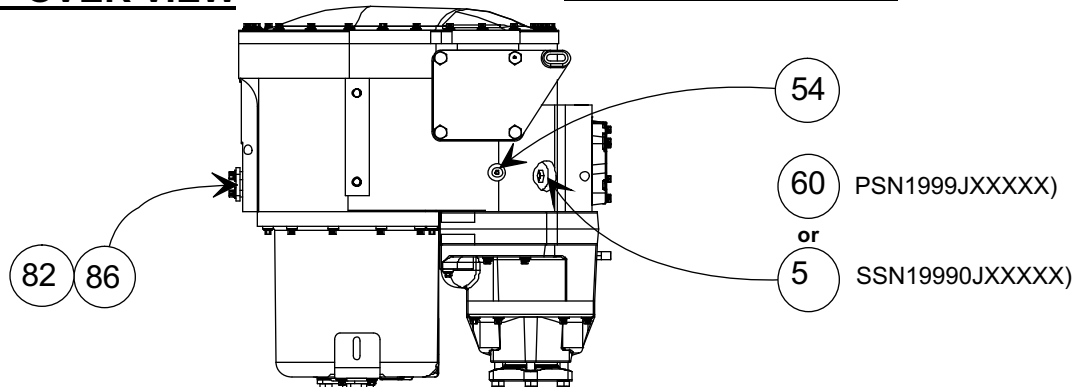


**FIGURE EARI G OVER ASY**



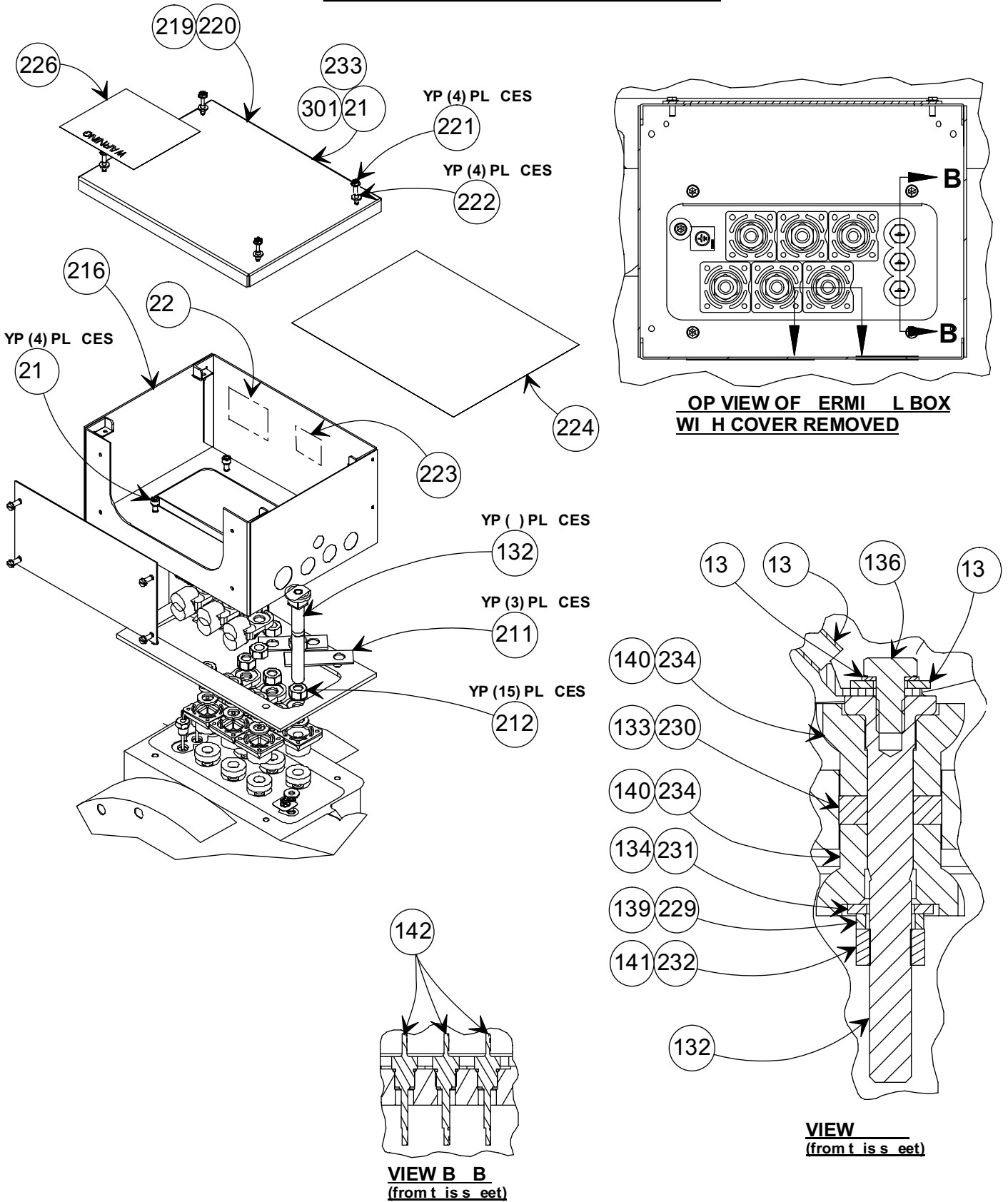
**GEAR OVER VIEW**

**MOTOR E D VIEW**



**OTTOM VIEW**

**FIGURE ERMILPI SY**

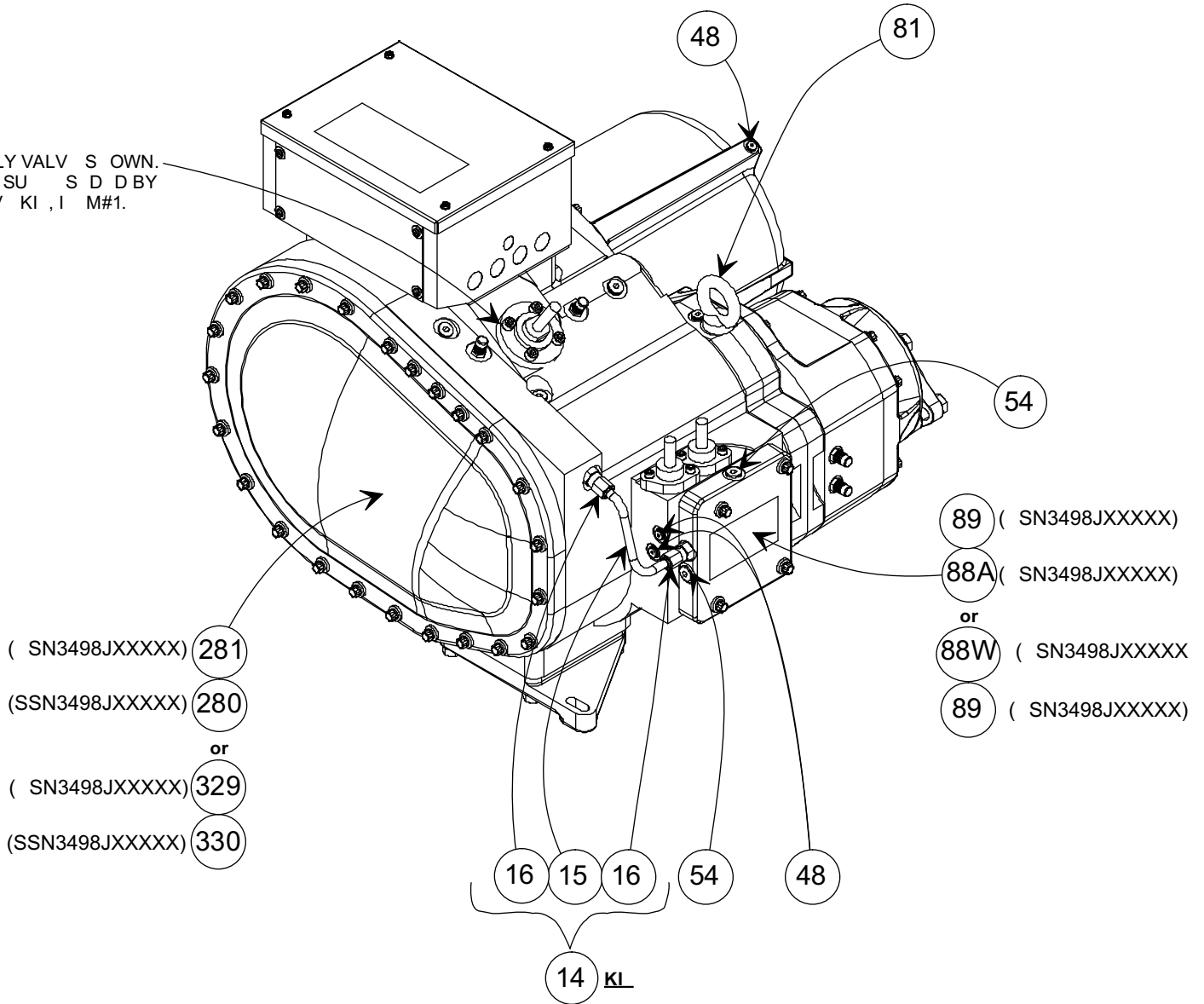




**FIGURE U IQUE I E S USED O EARLIER CO PRESSORS**

(COM SSO S OWN IS SN3498JXXXXX)

A LY VALV S OWN.  
WAS SU S D D BY  
VALV KI ,I M#1.



**Model/Sales Package: 06NA/NW.....**
**Model** 06NA/NW.....

**Description** 104 MM OPEN DRIVE/SEMI-HERMETIC SCREW COMPRESSOR, ALL MODELS

Itm#	Qty	Rec	Part Number	Description
1	1	-	06NA660001	COMPR OIL SOLENOID VALVE PKG.: (check valve is no longer available, see SMB990003)
2	1	-	8TB0884	> SOL.VALVE(COIL S/S,SEE ITEMS 75-78)
3	4	-	8TB0670	> M8X1.25X25 S.H.C.S.
4	1	-	8TB0274	> OIL SOLENOID VALVE O-RING
5	1	-	8TB0276	> OIL SOLENOID VALVE O-RING
6	1	-	8TB0847	> FILTER PLUG O-RING
7	1	-	KLE-LLM6	> 6MM ALLEN HEAD WRENCH
8	1	-	99TA516057	> INSTRUCTION SHEET
9	1	-	06NA660005	COMPR SUCTION SCREEN PKG.
10	1	-	2TB0773	> SUCTION SCREEN
11	1	-	KK71EW354	> SUCTION O-RING
12	1	-	19XL680001	> O-RING GREASE
13	1	-	99TA516062	> INSTRUCTION SHEET
14	1	-	06NA660006	COMPR ROTOR INJECT. OIL LINE PKG.
15	1	-	0TB0652	> ROTOR INJECTION OIL LINE
16	2	-	8TB0654	> ROTOR INJECTION OIL LINE FITTIN
17	1	-	99TA516063	> INSTRUCTION SHEET
17G	1	-	06NA660039	ROTOR INJECTION LINE KIT(HIGH SCT OPER.)
17H	1	-	1TB1024	> OIL LINE ASSEMBLY
17J	1	-	99TA526318	> INSTRUCTION SHEET
17K	1	-	06NA660040	ROTOR INJECTION LINE KIT(LOW AMB. OPER.)
17L	1	-	1TB1025	> OIL LINE ASSEMBLY
17M	1	-	99TA526318	> INSTRUCTION SHEET
17N	1	-	06NA660041	O-RING KIT, OIL INJECTION LINE: (GOOD FOR BOTH ITEMS 17G & 17K)
17P	2	-	2-011N0552	> O-RING
17R	1	-	8TB1033	> O-RING
17S	1	-	8TB1032	> O-RING
18	1	-	06NA660010	COMPR SUCTION SHIPPING PLATE PKG.
19	1	-	1TB0534	> SUCTION COVER PLATE
20	1	-	KK71EW354	> SUCTION O-RING
21	4	-	8TB0454	> M14X2.00X65
22	1	-	99TA516067	> INSTRUCTION SHEET
23	1	-	06NA660011	COMPR UNLOADER SOLENOID PKG.
24	1	-	8TA0049D	> SOL.VALVE(COIL S/S,SEE ITEMS 75-78)
25	2	-	8TB0675	> M6X1.00X20 S.H.C.S.
26	3	-	8TB0279	> UNLOADER VALVE O-RING
27	1	-	2TB1009	> GASKET,UNLOADER SOLENOID
28	1	-	KLE-LLM5	> 5MM ALLEN HEAD WRENCH
29	1	-	99TA516058	> INSTRUCTION SHEET
30	1	-	06NA660012	SUCTION O-RING PKG.
31	1	-	KK71EW354	> SUCTION O-RING
32	1	-	99TA516072	> INSTRUCTION SHEET
33	1	-	19XL680001	> O-RING GREASE
37	1	-	06NA660017	LOAD/UNLOAD SOLENOID O-RING KIT
38	3	-	8TB0279	> O-RING
39	1	-	2TB1009	> GASKET,UNLOADER
40	1	-	99TA516058	> INSTRUCTION SHEET
45	1	-	06NA660019	SCHRAEDER ACCESS FITTING KIT
46	1	-	0TB0889	> 7/16-20 SCHRAEDER FITTING
47	1	-	99TA519003	> INSTRUCTION SHEET
48	1	-	06NA660020	1/8" SAE PLUG KIT
49	1	-	8TA0141C	> 1/8" SAE PLUG(5/16-24)
50	1	-	99TA519003	> INSTRUCTION SHEET
51	1	-	06NA660021	1/4" SAE PLUG KIT
52	1	-	8TA0142C	> 1/4" SAE PLUG(7/16-20)

Item#	Qty	Rec	Part Number	Description
53	1	-	99TA519003	> INSTRUCTION SHEET
54	1	-	06NA660022	3/8" SAE PLUG KIT
55	1	-	8TB0220	> 3/8" SAE PLUG(9/16-18)
56	1	-	99TA519003	> INSTRUCTION SHEET
57	1	-	06NA660023	1-1/4" SAE PLUG KIT
58	1	-	8TB0692	> 1-1/4" SAE PLUG(1-5/8-12)
59	1	-	99TA519003	> INSTRUCTION SHEET
60	1	-	06NA660024	2" SAE PLUG KIT
61	1	-	8TB0462	> 2" SAE PLUG(2-1/2-12)
62	1	-	99TA519003	> INSTRUCTION SHEET
63	1	-	06NA660025	OIL CONTROL SOLENOID O-RING KIT
64	1	-	8TB0274	> OIL SOLENOID VALVE O-RING
65	1	-	8TB0276	> OIL SOLENOID VALVE O-RING
66	1	-	99TA516057	> INSTRUCTION SHEET
75	1	-	06DA401834	COIL,24V DC (FOR ITEMS #2 OR #24)
76	1	-	EF19ZE024	COIL,24V AC (FOR ITEMS #2 OR #24)
77	1	-	EF19ZE120	COIL,120V AC (FOR ITEMS #2 OR #24)
78	1	-	EF19ZE240	COIL,202/240V AC (FOR IT'S #2 OR #24)
80	2	-	2564-00266	O-RING
81	1	-	8TB0474	COMPR LIFTING LUG-M14
82	2	-	2TB0469	LIFTING PLATE,COMPRESSOR
83	1	-	2TB1003	UNLOADER COVER PLATE(SSN3498JXXXXX)
84	1	-	06NA660038	UNLOADER CVR PLATE GSKT KIT(SSN3498JXXXX)
84A	1	-	2TB0907	> GASKET,UNLOADER COVER
84B	1	-	99TA526316	> INSTRUCTION SHEET
85	1	-	1TB0312	MOTOR FOOT MOUNTING PLATE
86	6	-	8TB0471	FASTENER M12 X 20 LG
87	1	-	8TB0400	TORX HEAD FASTENER,M12X45 LG.
88A	1	-	1TB0894	SQ. UNLOADER CVR PLATE(PSN3498J): (for use with air cooled units)
88W	1	-	1TB0895	SQ. UNLOADER CVR PLATE(PSN3498JXXXXX): (for use with water cooled units)
89	1	-	06NA660037	SQ. UNLOADER CVR O-RING KIT(PSN3498J)
90	2	-	8TB0280	> O-RING
91	2	-	8TB0281	> O-RING
92	2	-	8TB0279	> O-RING
93	1	-	99TA526313	> INSTRUCTION SHEET
95	4	-	8TB0401	TORX HEAD FASTENER,M12X60 LG.
96	1	-	DD19CA061	FLARE CAP
100	1	-	06NA660028	COMPR OIL FILTER ELEMENT(INTERNAL)
101	1	-	8TB0847	> FILTER PLUG O-RING
102	1	-	8TB0320	> OIL FILTER ELEMENT
103	1	-	99TA516075	> INSTRUCTION SHEET
104	1	-	8TB0462	COMPR OIL FILTER PLUG
105	1	-	2TB0985	OIL FILTER ADAPTER
110	1	-	06NA660007	COMPR ECONOMIZER SCREEN PKG.
111	1	-	8TB0676	> ECONOMIZER SCREEN
112	1	-	KK71EW223	> ECONOMIZER O-RING
113	1	-	99TA516064	> INSTRUCTION SHEET
114	1	-	06NA660009	COMPR ECON. SHIPPING PLATE PKG.
115	1	-	2TB0997	> ECONOMIZER COVER PLATE
116	1	-	KK71EW223	> ECONOMIZER O-RING
117	2	-	8TB0396	> M12X1.75X35
118	1	-	99TA516066	> INSTRUCTION SHEET
118A	1	-	05GA501762	> PLUG
119	1	-	SEEIMAGE06018005	COMPRESSOR MOTOR REPLACEMENT KIT
120	1	-	1TB0484(NSS)	> MOTOR HOUSING
121	1	-	1TB0957	> ORIFICE
122	1	-	8TB0220	> 3/8" SAE PLUG(9/16-18 THREADED)

Itm#	Qty	Rec	Part Number	Description
123	1	-	NSS	> STATOR
124	1	-	8TB0173(NSS)	> MOTOR SHAFT BEARING CUP
125	1	-	8TB0923(NSS)	> MOTOR SHAFT SPRING(SSN1399J): (see item#151 for PSN part)
126	1	-	2TB0781(NSS)	> MOTOR SHAFT BACKER(SSN1399J): (see item#152 for PSN part)
127	1	-	8TB0172(NSS)	> MOTOR SHAFT BEARING CONE
128	1	-	1TB0548(NSS)	> MOTOR SHAFT
129	1	-	NSS	> MOTOR ROTOR
130	1	-	8TB0169(NSS)	> MOTOR SHAFT BEARING CONE(GEAR END)
131	1	-	8TB0170(NSS)	> MOTOR SHAFT BEARING CUP(GEAR END)
132	6	-	8TB0821	> TERMINAL PINS
133	6	-	8TB0663	> TERMINAL PIN GROMMET(SEAL)
134	6	-	8TB0878	> TERMINAL PIN WASHER
135	6	-	8TB0708	> MOTOR LEAD CRIMP LUG
136	6	-	8TB0703	> TERMINAL PIN BOLT
137	6	-	8TB0711	> BELLEVILLE WASHER
138	6	-	AU01AA201	> FLAT WASHER (INTERNAL)
139	6	-	AU61ML301	> LOCK WASHER
140	12	-	8TB0883	> INSULATOR BLOCK
141	18	-	8TB0928	> BRASS NUT
142	3	-	06NA660042	> SENSOR PINS
143	1	-	8TB0283	> O-RING
144	1	-	8TB0286	> O-RING,MOTOR HOUSING
145	1	-	2TB0997	> ECONOMIZER SHIPPING PLATE
146	1	-	05GA501762	> SAE PLUG(7/16-20)
147	2	-	8TB0396	> HEX HEAD BOLT
148	1	-	99TA526307	> INSTRUCTIONS
149	1	-	KK71EW223	COMPR ECONOMIZER O-RING
150	1	-	32MP500354	STATOR SENSOR
151	1	-	2TB0102	MOTOR SHAFT SPRING(PSN1399J)
152	1	-	2TB0681	MOTOR SHAFT BACKER(PSN1399J)
160	1	-	06NA660004	COMPR CHECK VALVE/MUFF. KIT
161	1	-	0TB0231	> MUFFLER BAFFLE PLATE
162	1	-	2TB0254	> SUPPORT TUBE
163	1	-	8TB0291	> MUFFLER CASING O-RING
164	1	-	KK71EW234	> DISCHARGE LINE O-RING
165	1	-	1TB0946	> DISCHARGE CHECK VALVE
166	1	-	2TB0774	> SHOCK ABSORBER
167	1	-	8TB0245	> ROLL PIN
168	8	-	8TB0400	> M12 X 1.75 X 45 TORX BOLT
169	1	-	PSLE140	> TORX HEAD WRENCH (E14)
170	1	-	99TA516061	> INSTRUCTION SHEET
171	1	-	06NA660008	COMPR DISCH. SHIPPING PLATE PKG.
172	1	-	1TB0247	> DISCHARGE COVER PLATE
173	1	-	8TB0455	> CAST COLLAR
174	1	-	KK71EW234	> DISCHARGE LINE O-RING
175	4	-	8TB0454	> M14X2.00X65
176	1	-	99TA516065	> INSTRUCTION SHEET
177	1	-	06NA660018	MUFFLER O-RING KIT
178	1	-	8TB0291	> O-RING
179	1	-	KK71EW234	> O-RING
180	1	-	99TA516061	> INSTRUCTION SHEET
181	1	-	KK71EW234	COMPR DISCHARGE O-RING
182	1	-	1TB0487	MUFFLER
183	1	-	8TB0233	CHECK VALVE DOWEL
200	1	-	1TB0980	BEARING COVER
201	1	-	2TB0956	> ORIFICE,BEARING COVER
202	2	-	8TB0398	TORX HEAD BOLT M12 X 120 LG

Itm#	Qty	Rec	Part Number	Description
203	7	-	8TB0399	TORX HEAD BOLT M12 X 100 LG
210	1	-	06NA660002	COMPR TERM. JUMPER BAR KIT
211	3	-	1TB0459	> JUMPER BAR
212	15	-	8TB0928	> JAM NUT
213	1	-	FC024A	> 3/4" CROWSFOOT WRENCH
214	1	-	99TA516059	> INSTRUCTION SHEET
215	1	-	06NA660003	COMPR TERM. BOX KIT
216	1	-	3TB0817	> TERMINAL BOX
217	1	-	3TB0818	> TERMINAL BOX GASKET
218	4	-	8TB0671	> M6X1.25X10 S.H.C.S.
219	1	-	3TB0688	> TERMINAL BOX COVER
220	1	-	2TB0684	> TERMINAL BOX COVER GASKET
221	4	-	2TB0716	> TERMINAL BOX SCREW
222	4	-	8TB0683	> TERMINAL BOX COVER SCREW WASHER
223	1	-	06DA508142	> LABEL,WARNING
224	1	-	2TB0713	> LABEL,WIRING
225	1	-	2TB0846	> LABEL,METRIC
226	1	-	06DA502503	> LABEL,WARNING
227	1	-	99TA516060	> INSTRUCTION SHEET
228	1	-	06NA660026	TERMINAL PIN SEAL REPLACEMENT KIT
229	6	-	AU61ML301	> TERMINAL PIN LOCKWASHER
230	6	-	8TB0663	> TERMINAL PIN SEAL
231	6	-	8TB0878	> TERMINAL PIN FLAT WASHER
232	18	-	8TB0928	> TERMINAL PIN NUT
233	1	-	3TB0818	> COMPRESSOR TERMINAL BOX GASKET
234	6	-	8TB0883	> TERMINAL PIN INSULATOR BLOCK
235	1	-	99TA526296	> INSTRUCTION SHEET
250	1	-	06NA660031	123 CFM DRIVE/PINION GEAR KIT: (CFM designated by "6,7,8" digit in compressor model number)
252	1	-	2TB0448	> GEAR,DRIVE
253	1	-	2TB0445	> GEAR,PINION
254	1	-	99TA526312	> INSTRUCTION SHEET
255	1	-	06NA660032	146 CFM DRIVE/PINION GEAR KIT: (CFM designated by "6,7,8" digit in compressor model number)
257	1	-	2TB0447	> GEAR,DRIVE
258	1	-	2TB0444	> GEAR,PINION
259	1	-	99TA526312	> INSTRUCTION SHEET
260	1	-	06NA660033	174 CFM DRIVE/PINION GEAR KIT: (CFM designated by "6,7,8" digit in compressor model number)
262	1	-	2TB0187	> GEAR,DRIVE
263	1	-	2TB0201	> GEAR,PINION
264	1	-	99TA526312	> INSTRUCTION SHEET
265	1	-	06NA660034	209 CFM DRIVE/PINION GEAR KIT: (CFM designated by "6,7,8" digit in compressor model number)
267	1	-	2TB0186	> GEAR,DRIVE
268	1	-	2TB0200	> GEAR,PINION
269	1	-	99TA526312	> INSTRUCTION SHEET
270	1	-	06NA660035	250 CFM DRIVE/PINION GEAR KIT: (CFM designated by "6,7,8" digit in compressor model number)
272	1	-	2TB0446	> GEAR,DRIVE
273	1	-	2TB0443	> GEAR,PINION
274	1	-	99TA526312	> INSTRUCTION SHEET
275	1	-	06NA660036	300 CFM DRIVE/PINION GEAR KIT: (CFM designated by "6,7,8" digit in compressor model number)
277	1	-	2TB0184	> GEAR,DRIVE
278	1	-	2TB0198	> GEAR,PINION
279	1	-	99TA526312	> INSTRUCTION SHEET
280	1	-	8TB0293	GEAR COVER(PSN3498JXXXXX)
281	1	-	1TB0901	GEAR COVER(SSN3498JXXXXX)
282	1	-	2TB0956	GEAR LUBE FITTING
300	1	-	06NA660013	COMP. INSTALLATION PKT

Itm#	Qty	Rec	Part Number	Description
301	1	-	3TB0818	> TERMINAL BOX GASKET
302	1	-	KK71EW354	> SUCTION O-RING
303	1	-	KK71EW234	> DISCHARGE LINE O-RING
304	1	-	KK71EW223	> ECONOMIZER O-RING
305	1	-	19XL680001	> O-RING GREASE
306	1	-	HK01CB002	> ANTI ROTATION PRESS.SWITCH
307	1	-	KLE-LLM5	> 5 MM ALLEN HEAD WRENCH
308	1	-	KLE-SL16	> 1/4" ALLEN HEAD WRENCH
309	1	-	FC024A	> 3/4" CROWSFOOT WRENCH
310	1	-	DC80SA005	> STR. THREAD COMPR. FITTING
311	2	-	HY69DS044	> QUICK CONNECT (M)
312	1	-	HY69DS054	> QUICK CONNECT (F)
313	1	-	99TA516068	> INSTRUCTION SHEET
314	1	-	06NA660015	COMPR SERVICE TOOL PKG.
315	1	-	KLE-LLM5	> 5 MM ALLEN HEAD WRENCH
316	1	-	KLE-LLM6	> 6 MM ALLEN HEAD WRENCH
317	1	-	PSLE140	> TORX HEAD WRENCH(E14)
318	1	-	SIPR436	> 1-1/8,4 POINT DEEP SOCKET
319	1	-	KLE-SL16	> 1/4" ALLEN HEAD WRENCH
320	1	-	FC024A	> 3/4" CROWSFOOT WRENCH
321	1	-	GSA24E	> 3/4" SOCKET DRIVER
322	1	-	06NA660027	COMPRESSION END SEAL KIT
323	1	-	KK71EW234	> O-RING,DISCHARGE FLANGE
324	1	-	8TB0291	> O-RING,MUFFLER
325	1	-	8TB0279	> O-RING,BEARING COVER OIL PASSAGE
326	1	-	8TB0282	> O-RING,BEARING COVER DISCHARGE PORT
327	1	-	8TB0292	> O-RING,BEARING COVER/OUTLET CASE: (PSN1000J)
328	1	-	8TB0911	> O-RING,BEARING COVER/OUTLET CASE: (PSN1000J)
329	1	-	8TB0293	> O-RING,GEAR COVER TWO PIECE GROOVE: (PSN3498J)
330	1	-	8TB0912	> O-RING,GEAR COVER GROOVE IN ROTOR HSG: (SSN3498J)
331	1	-	19XL680001	> O-RING GREASE
332	1	-	99TA526299	> INSTRUCTION SHEET