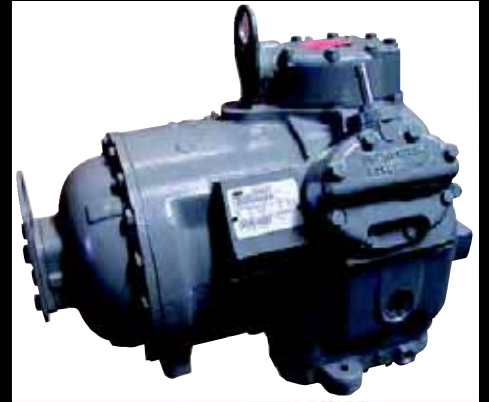
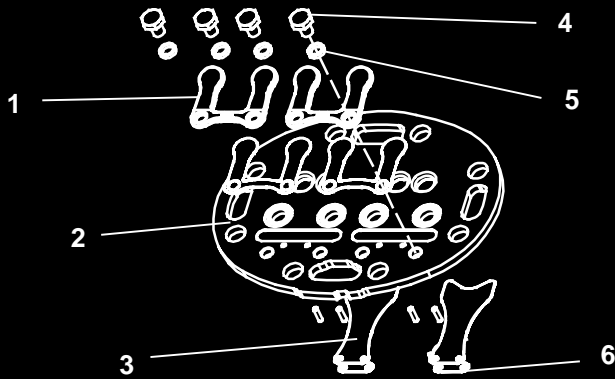




Compressor



SERVICE PARTS LIST
for
**MODEL 06D TWIN PORT
COMPRESSOR**



TRANSICOLD

SERVICE PARTS LIST

MODEL 06D TWIN PORT

COMPRESSOR

TABLE OF CONTENTS

| | |
|---|---------|
| INTRODUCTION | i |
| MODEL CHART | i |
| ORDERING INSTRUCTIONS | i |
| GENERAL NOTES | i |
| COMPRESSOR OIL CHART | i |
| 1 COMPRESSOR ASSEMBLY | 1 |
| 1.1 Motor Body Group | 2 |
| 2 COMPRESSOR IDENTITY | 3 |
| 3 TERMINALS AND JUNCTION BOX | 4 |
| 4 COMPRESSOR BASE GROUP | 6 |
| 5 BEARING HEAD AND OIL PUMP | 7 |
| 6 CRANKSHAFT, ROD AND PISTON GROUP | 8 |
| 7 UNLOADER GROUP | 9 |
| 8 VALVEPLATE GROUP | 10 |
| 9 GASKETS | 11 |
| 10 COMPRESSOR - SERVICE VALVE GROUP | 12 |
| 10.1 Suction - Service Valve | 12 |
| 10.2 Discharge - Service Valve | 13 |
| PART NUMBER INDEX | Index-1 |

INTRODUCTION

This parts list identifies service replacement parts for the 06D Twin Port Compressors listed in the Model Chart below. To find replacement parts, determine the major group in which the replacement parts are located (refer to the Table of Contents) and turn to the appropriate page for the illustrated parts breakdown of the replacement parts. A detailed list of the tools needed to service the 06D Twin Port Compressor may be found in the Service Tool List catalog 62-03213.

MODEL CHART

| 06D Twin Port Compressor Part Number | Carlyle/CSM Manufacturer's Number | Replaces 06D Twin Port Compressor Part Number | Compressor Configuration | Application |
|--------------------------------------|-----------------------------------|---|---|-------------------------|
| 18-10138-101 | 6DPQJC4V8P3MAE | 18-10138-00 | 41 CFM, 1 Crankcase Sight Glass, 2 Electric Unloaders, No Oil | Vector 5100, 6500, 6600 |
| 18-10138-102 | 6DUQJC4E8P3MAE | - | 41 CFM, 1 Crankcase Sight Glass, 2 Electric Unloaders, Front Terminal Plate, No Oil | Vector 5100, 6500, 6600 |

ORDERING INSTRUCTIONS

All orders and inquiries for parts must include: Unit Serial Number, Part Number, description of part as shown on list and quantity required. Address all correspondence for parts to the following address:

CARRIER TRANSICOLD DIVISION
Replacement Components Group, TR-20
P.O. Box 4805, Syracuse, NY 13221.
or
Fax to: (315) 432-3778

GENERAL NOTES

To find replacement parts consult table of contents, and turn to the appropriate page for the illustrated breakdown of replacement parts. The following letter designations are used to classify parts throughout this list.

A/R *As Required*

NSA *Non-Stock Assembly* - order components listed under the assembly.

NSS *Not Sold Separately* - order next higher assembly or kit.

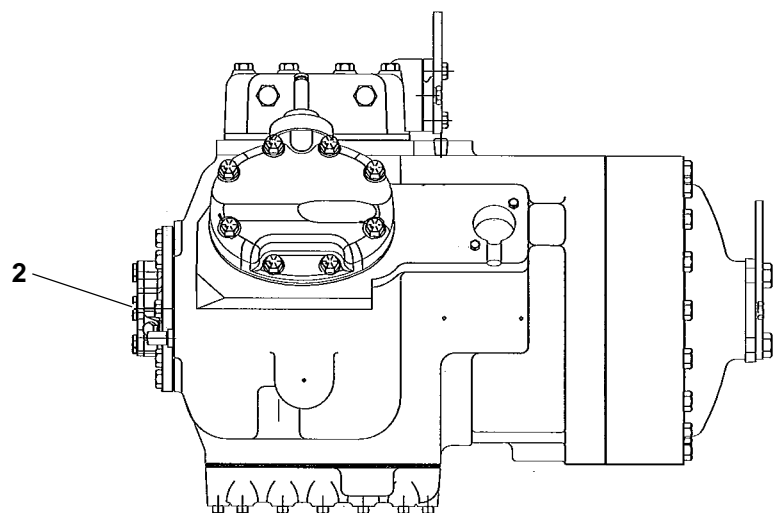
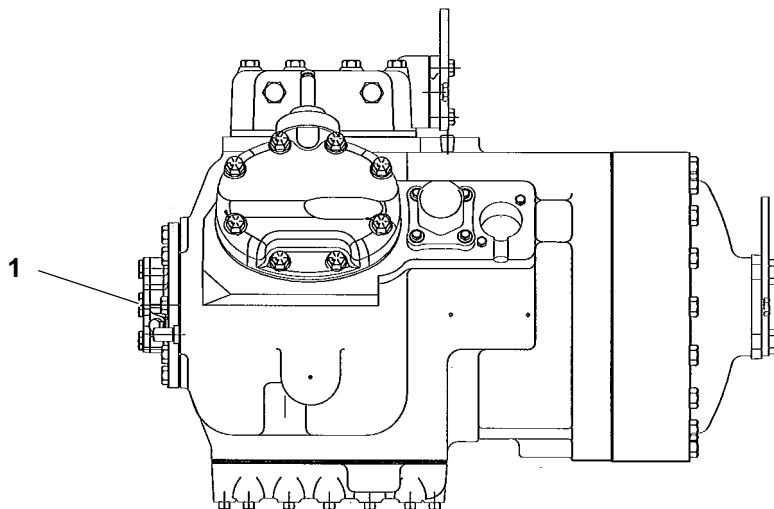
COMPRESSOR OIL CHART

| Part Number | Oil Type | Viscosity | Refrigerants | Application | Packaging |
|----------------|-------------------|-----------|----------------|-------------------------------|--------------|
| 07-00317-00PK6 | Polyolester (POE) | 68 | R-134a, R-404a | Truck, Trailer, and Large Bus | 1 Gallon x 6 |

NOTE

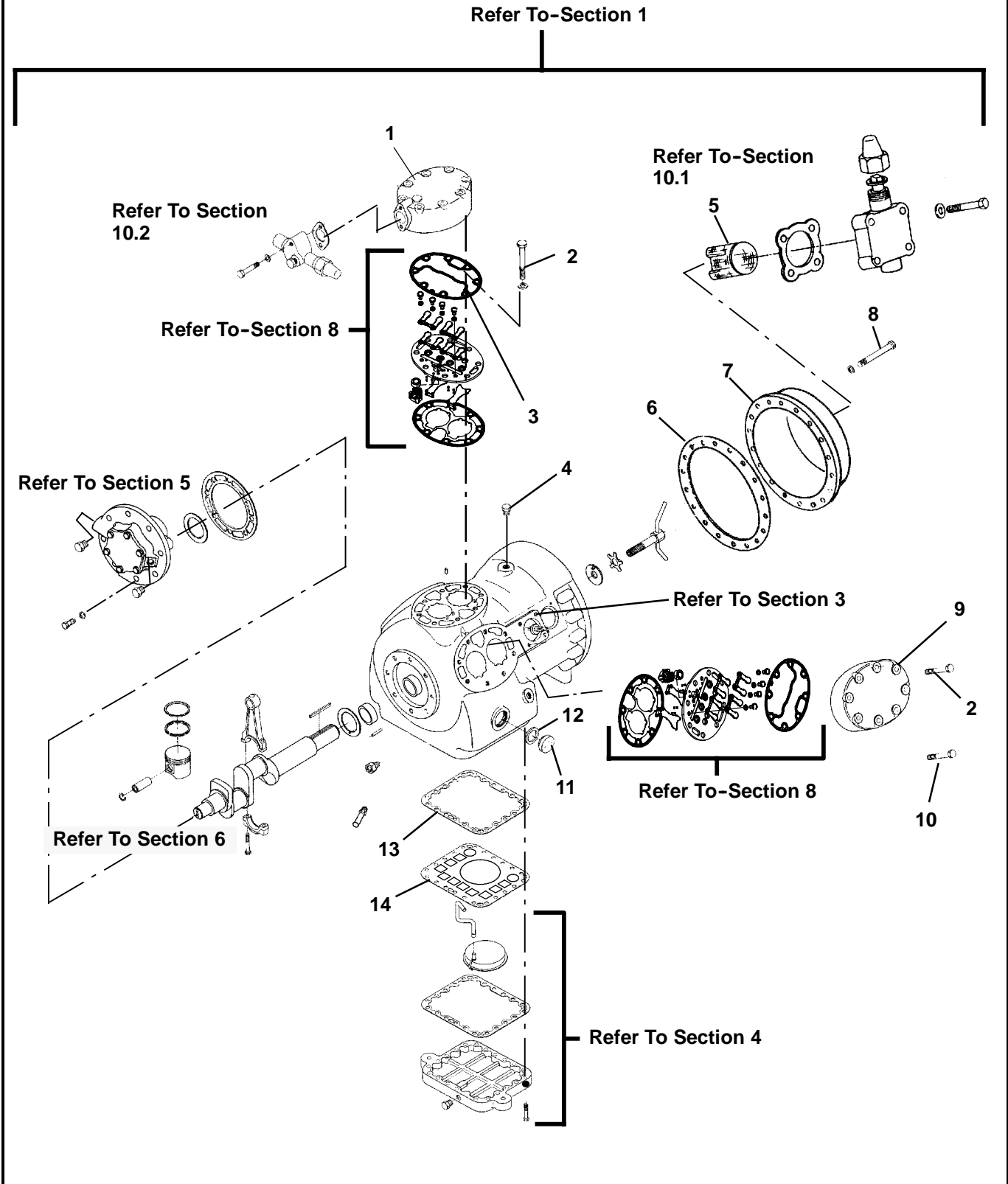
Refer to the unit operation and service manual for the correct procedure for checking compressor oil level.

1 COMPRESSOR IDENTITY



| Item | Part Number | Description | Qty |
|------|--------------|---|-----|
| 1 | 18-10138-101 | Compressor, 06D, 41CFM, 1 Sight Glass (Vector 5100, 6500, 6600) (Terminal Plate Location To The Rear When Installed) | 1 |
| 2 | 18-10138-102 | Compressor, 06D, 41CFM, 1 Sight Glass (Vector 5100, 6500, 6600) (Terminal Plate Location To The Front When Installed) | 1 |

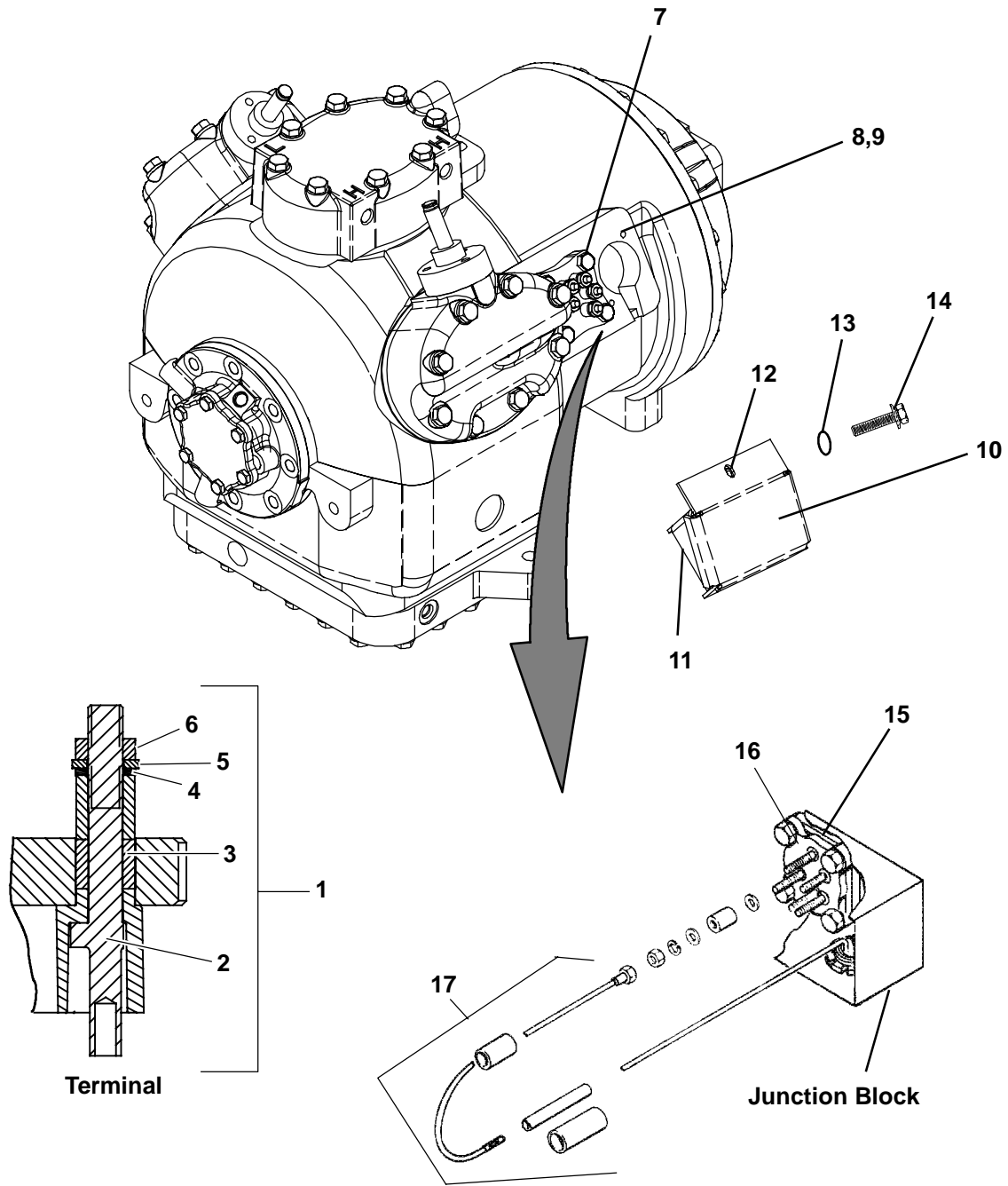
2 COMPRESSOR ASSEMBLY



2 COMPRESSOR ASSEMBLY (Continued)**2.1 Motor Body Group**

| | | | |
|----|-------------|--|----|
| 1 | 17-44791-00 | Cylinder Head, Center, Reversed Discharge, Vector TwinPort | 1 |
| 2 | 17-40018-05 | Screw, Hex Head, 3/8-16 X 3.00 Inches Long, SAE Grade 8 (Center Head And Side Head Long Bolts) | 16 |
| 3 | 17-44747-00 | Gasket, Cylinder Head, All Banks, Coated Steel | 3 |
| 4 | CA63AA051 | Plug, Pipe, 1/4-18 NPT (package of 20) | 1 |
| 5 | 17-44005-00 | Strainer, Suction | 1 |
| 6 | 17-44136-00 | Gasket, Motor End Cover, Coated Steel | 1 |
| 7 | 17-55034-00 | Cover, Motor End (Vector 5100, 6500, 6600) | 1 |
| 8 | AA06GR262 | Screw, Hex Head, 7/16-14 X 1.25 Inches Long, SAE Grade 8 | 18 |
| 9 | 17-44790-00 | Cylinder Head, Side, Shaved, HGBP Unloader, TwinPort | 2 |
| 10 | 17-44009-05 | Screw, Hex Head, 3/8-16 X 1.50 Inches Long, SAE Grade 8 (Side Head Short Bolts) | 8 |
| 11 | 17-10218-00 | Sightglass Package, Oil Level - Includes: | 1 |
| 12 | 17-44021-00 | Gasket, Sightglass, Coated Steel | 1 |
| 13 | 17-44129-00 | Gasket, Bottom Plate, Coated Steel | 1 |
| 14 | 17-21063-00 | Hold-Down Plate, Oil Screen | 1 |

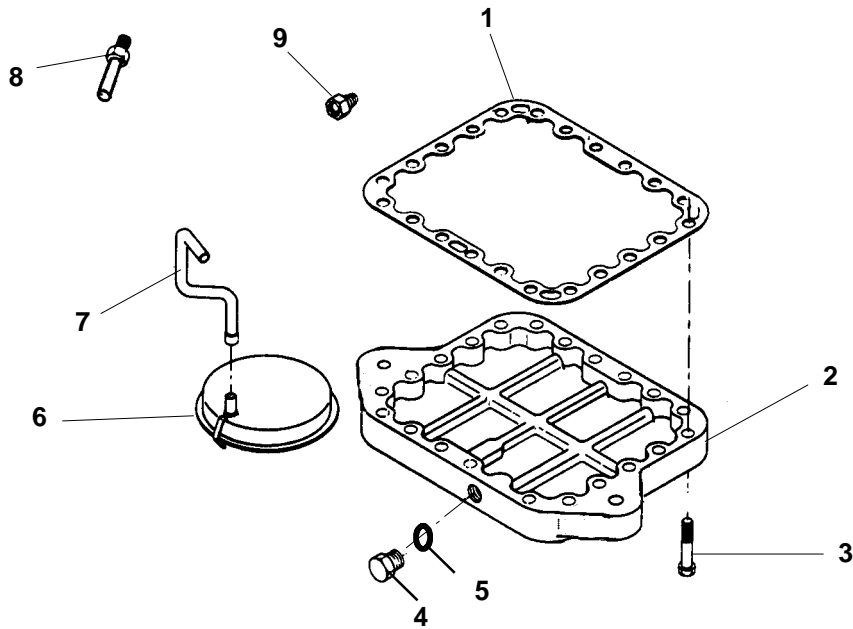
3 TERMINALS AND JUNCTION BOX



3 TERMINALS AND JUNCTION BOX (Continued)

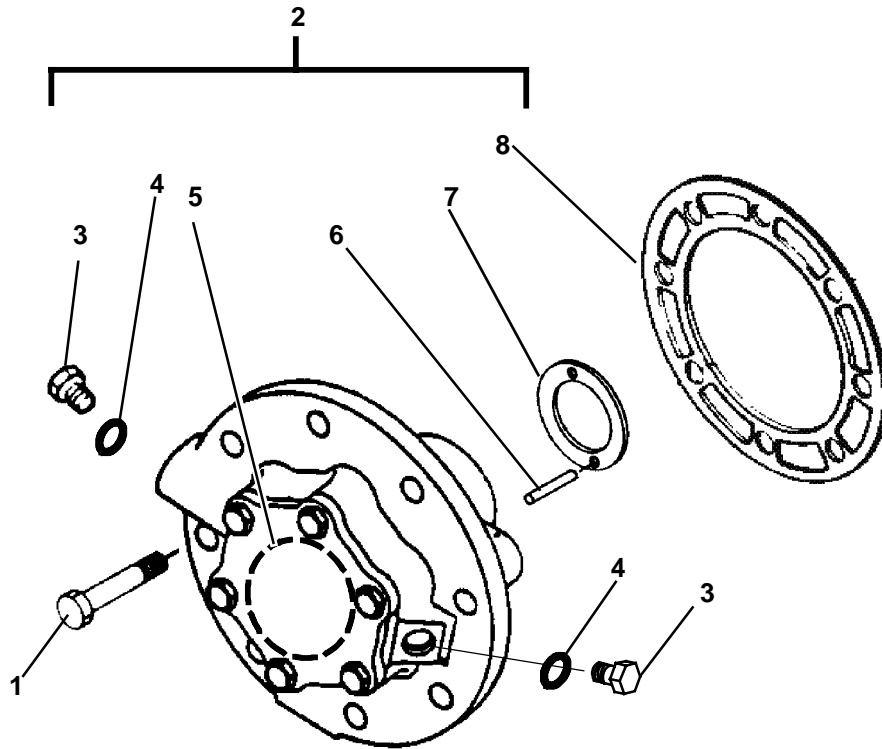
| Item | Part Number | Description | Qty |
|-------------|--------------------|---|------------|
| 1 | 18-00069-50 | Terminal Repair Kit, Vector 06D - Includes: | 1 |
| 2 | NSS | Terminal Pin Assembly | 2 |
| 3 | NSS | Terminal Pin Bushing | 2 |
| 4 | NSS | 1/4 Inch Flat Washer | 2 |
| 5 | NSS | 1/4 Inch Lock Washer | 2 |
| 6 | NSS | 1/4 Inch Hex Nut | 2 |
| 7 | 17-10825-00 | Screw, Hex Head, 5/16-18 X 1 Inches Long, SAE Grade 8 | 4 |
| 8 | 34-00670-08 | Screw, Round Head, #10-32 X 1/2 Inch Long | 2 |
| 9 | 34-00372-39 | Washer, Lock, Ext Tooth, #10 | 2 |
| 10 | 68-12988-00 | Cover, Junction Box | 1 |
| 11 | 86-04298-00 | Box Assembly, Junction Box | 1 |
| 12 | 34-06051-104 | Rivnut, Steel, M6 | 1 |
| 13 | 34-60095-46 | Washer, Lock, M6 | 1 |
| 14 | 34-60068-20 | Screw, M6 X 20MM Long | 1 |
| 15 | 17-44128-00 | Gasket, Terminal Plate, Plated Steel | 1 |
| 16 | 17-40093-06 | Terminal Plate, Compressor (5 Terminals) | 1 |
| 17 | 76-50192-00 | Wiring Kit, Terminal Plate | 1 |

4 COMPRESSOR BASE GROUP



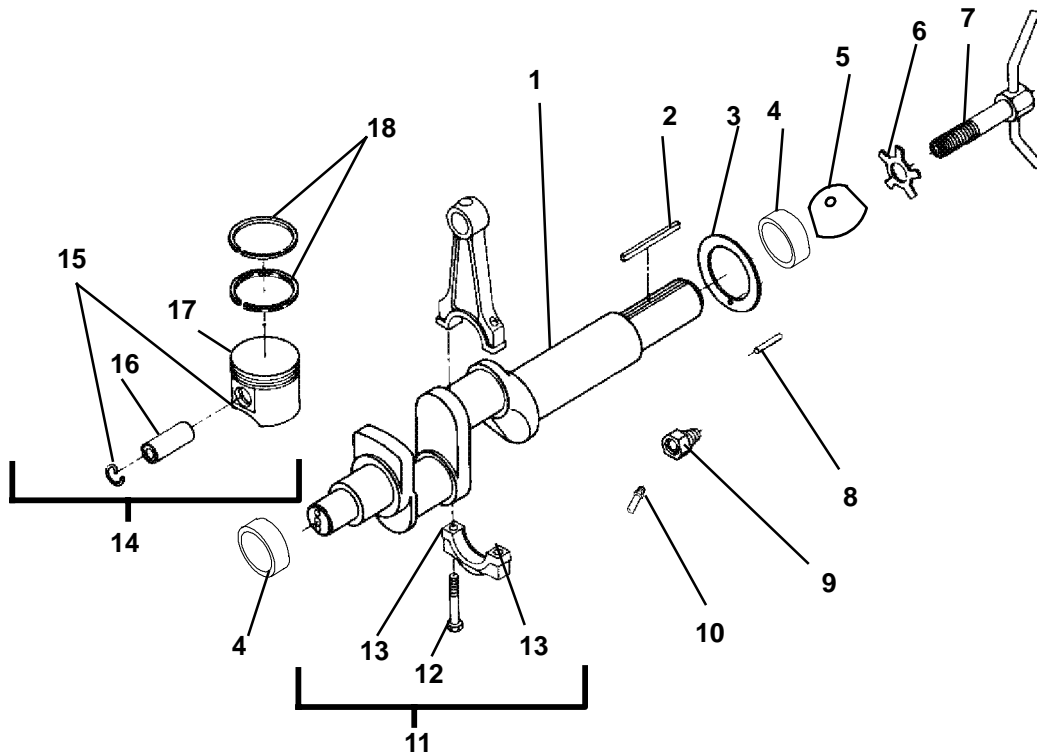
| Item | Part Number | Description | Qty |
|------|-------------|---|-----|
| 1 | 17-44129-00 | Gasket, Bottom Plate, Coated Steel | 1 |
| 2 | 17-44758-00 | Plate, Bottom | 1 |
| 3 | 17-40034-05 | Screw, Hex Head, 3/8-16 X 2.00 Inches Long, SAE Grade 8 | 22 |
| 4 | 17-44037-00 | Plug, O-Ring, Oil Drain, 7/16-20 - Includes: | 1 |
| 5 | 42-00243-07 | O-Ring | 1 |
| 6 | 17-40020-00 | Screen Assembly, Oil Filter | 1 |
| 7 | 17-21062-00 | Tube, Oil Screen | 1 |
| 8 | 17-44763-00 | Orifice, Oil Relief | 1 |
| 9 | 17-40042-00 | Check Valve, Oil Return | 1 |

5 BEARING HEAD AND OIL PUMP



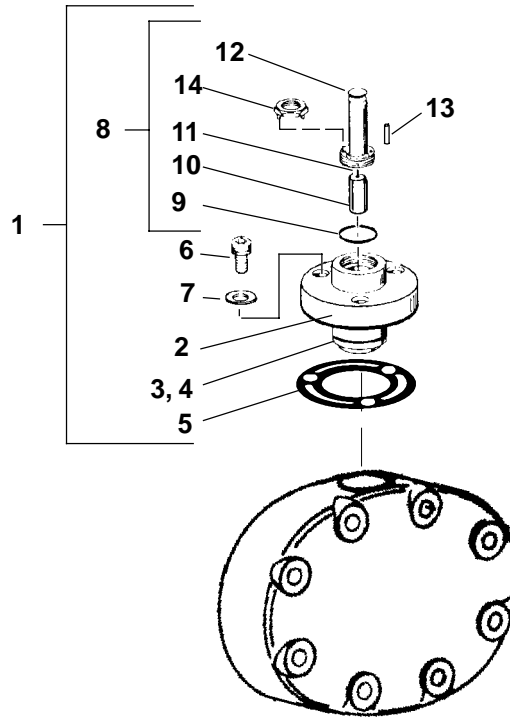
| Item | Part Number | Description | Qty |
|------|-------------|---|-----|
| 1 | 17-40037-05 | Screw, Hex Head, 3/8-16 X 1.00 Inch Long, SAE Grade 8 | 8 |
| 2 | 17-44137-00 | Oil Pump And Bearing Head Assembly - Includes: | 1 |
| 3 | 17-44037-00 | Plug, O-Ring, 7/16-20 - Includes: | 2 |
| 4 | 42-00243-07 | O-Ring | 1 |
| 5 | 17-44139-00 | O-Ring, Pump Cover Plate | 1 |
| 6 | 17-40204-00 | Pin, Roll, 1/8 X 1/2 Inch | 2 |
| 7 | 17-55009-01 | Thrustwasher, Pump End | 1 |
| 8 | 17-40078-05 | Gasket, Bearing Head (Fiber) | 1 |
| | 17-44022-00 | Gasket, Bearing Head (Coated Steel) | 1 |

6 CRANKSHAFT, ROD AND PISTON GROUP



| Item | Part Number | Description | Qty |
|------|-------------|---|-----|
| 1 | 17-40413-00 | Crankshaft, 06D, 41CFM | 1 |
| 2 | AW01DA096 | Key, Rotor Drive | 1 |
| 3 | 17-40050-00 | Thrustwasher, Motor End | 1 |
| 4 | 17-40025-00 | Bushing Kit, Motor And Pump End Bushings | 1 |
| 5 | 6D68-1621 | Counterbalance, Motor End | 1 |
| 6 | 17-21076-00 | Star Washer, Rotor | 1 |
| 7 | 17-21077-00 | Tube Assembly, Equalizer | 1 |
| 8 | 17-40048-00 | Pin, Spiral, 5/32 X 5/8 Inch Long | 2 |
| 9 | 17-40042-00 | Check Valve Assembly, Oil Return | 1 |
| 10 | 17-44763-00 | Orifice, Oil Relief | 1 |
| 11 | 17-40056-02 | Connecting Rod And Cap Assembly, Standard - Includes: | 6 |
| | 17-55023-00 | Connecting Rod And Cap Assembly, .010 Inch Oversize - Includes: | |
| 12 | 17-55008-00 | Screw Cap, Special | 2 |
| 13 | 17-40057-00 | Pin, Dowel | 2 |
| 14 | 17-44072-00 | Piston And Pin Package, Standard - Includes: | 6 |
| | 17-44073-00 | Piston And Pin Package, .020 Inch Oversize - Includes: | |
| 15 | 17-40053-00 | Retainer Wrist Pin | 2 |
| 16 | NSS | Wrist Pin, Piston | 1 |
| 17 | NSS | Piston | 1 |
| 18 | 17-40055-00 | Ring, Compression, Standard | 12 |
| | 17-55025-00 | Ring, Compression, .020 Inch Oversize | |

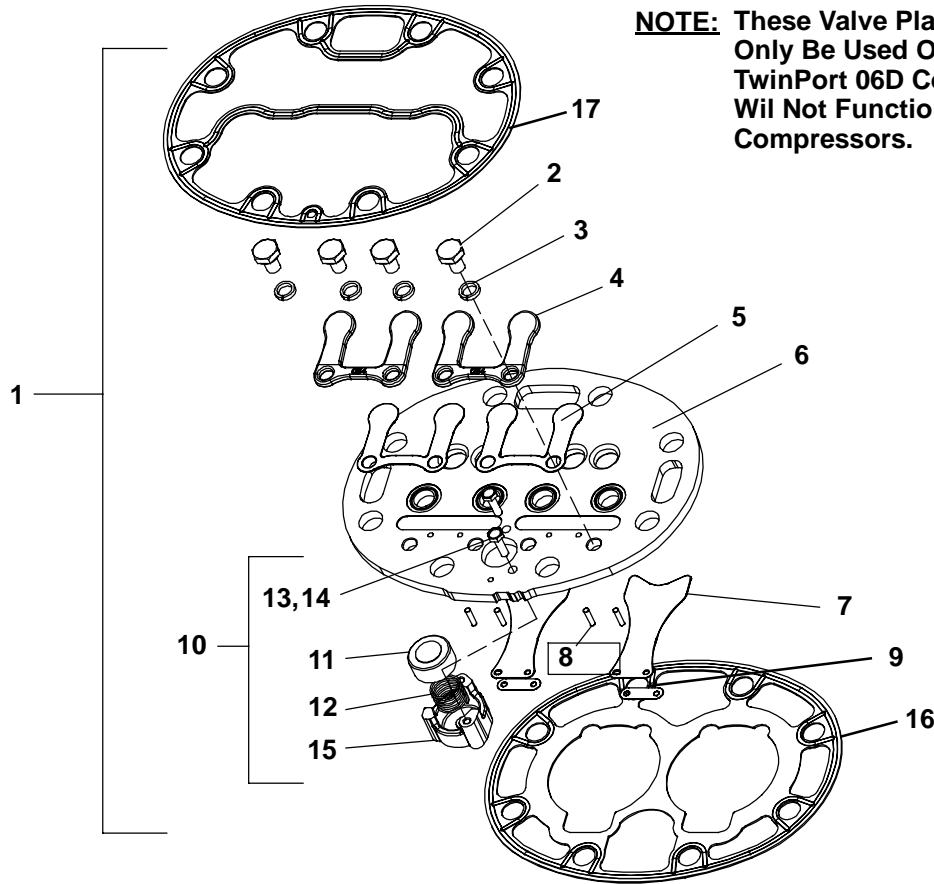
7 UNLOADER GROUP



| Item | Part Number | Description | Qty |
|------|-------------|--|-----|
| 1 | 17-40417-00 | Valve Assembly (Electric) - Includes: | A/R |
| 2 | NSS | Body Assembly, Valve | 1 |
| 3 | 17-40409-00 | Piston, Unloader - Includes: | 1 |
| 4 | 17-55010-00 | Ring, Piston | 1 |
| 5 | 17-40104-07 | Gasket, Unloader Valve | 1 |
| 6 | 17-40111-00 | Screw, Socket Head, 1/4-28 x 3/4 Inch Long | 1 |
| 7 | 17-40104-20 | Gasket, Socket Head Screw, 1/4 Inch | 1 |
| 8 | 17-40418-00 | Kit, Valve Stem Repair (For 17-40417-00) - Includes: | A/R |
| 9 | 42-00243-03 | Gasket, O-ring | 1 |
| 10 | NSS | Plunger Assembly | 1 |
| 11 | NSS | Spring, Plunger | 1 |
| 12 | NSS | Enclosing Tube | 1 |
| 13 | 34-06026-00 | Pin, Unloader Coil Retainer | 1 |
| 14 | NSS | Tool, Valve Stem Installation/Removal | 1 |

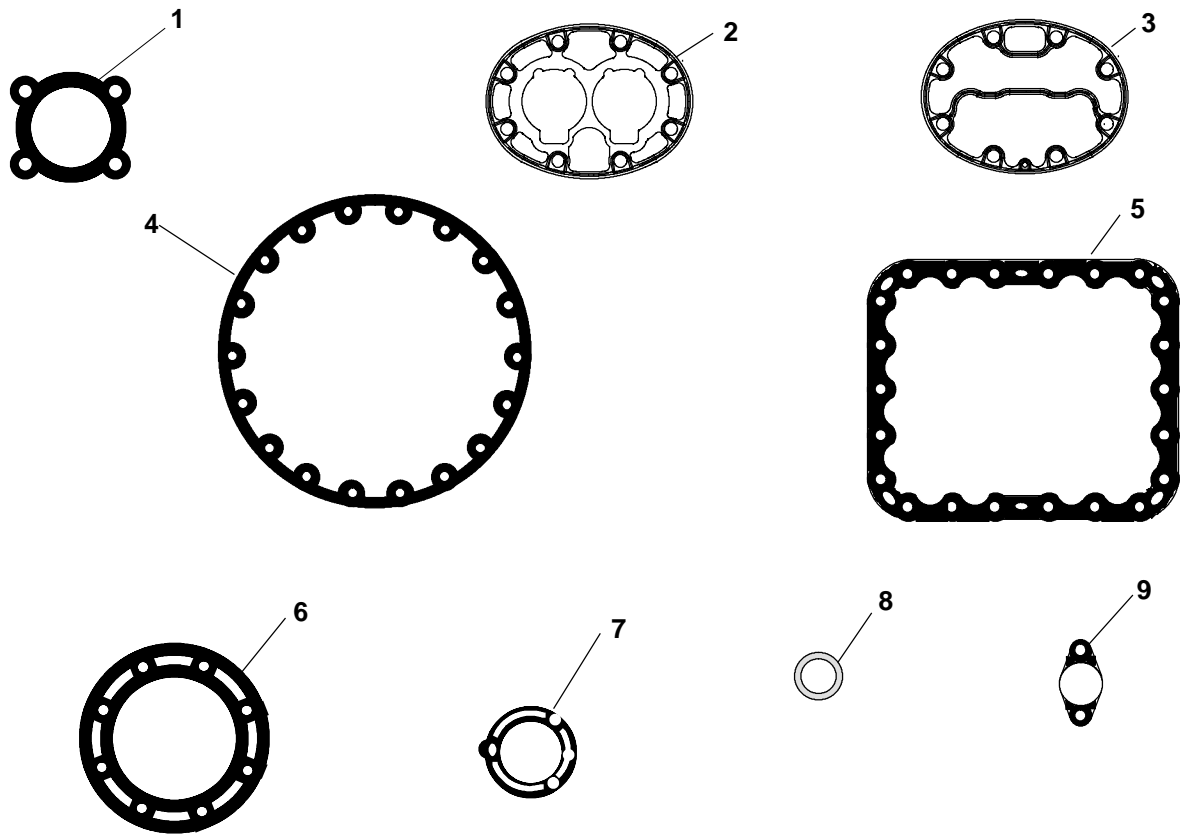
8 VALVEPLATE GROUP

NOTE: These Valve Plate Assemblies Can Only Be Used On The VECTOR TwinPort 06D Compressor. They Will Not Function In 3-Port 06D Compressors.



| Item | Part Number | Description | Qty |
|------|-------------|--|-----|
| 1 | 17-44742-00 | Valve Plate Assembly, Twin Port, Flat, Narrow Seat, Center Bank - Includes: | 1 |
| | 17-44744-00 | Valve Plate Assembly, Twin Port, Flat, Narrow Seat, Side Bank With Hot Gas Bypass Unloader - Includes: | |
| 2 | 17-44113-00 | Capscrew, Hex Head, 1/4-28 X 3/8 Inch Long | 4 |
| 3 | 17-10715-00 | Lockwasher, 1/4 Inch | 4 |
| 4 | 17-44750-00 | Backer, Discharge Valve | 2 |
| 5 | 17-44749-00 | Valve, Discharge | 2 |
| 6 | NSS | Valve Plate | 1 |
| 7 | 17-44748-00 | Valve, Suction | 2 |
| 8 | 17-40057-00 | Dowel Pin, Suction Valve | 4 |
| 9 | 17-44751-00 | Spring, Suction Valve | 2 |
| 10 | 17-55012-00 | Check Valve, Unloader - Includes: | 1 |
| 11 | 17-40104-08 | Piston, Check-Valve | 1 |
| 12 | 17-40104-09 | Spring, Check-Valve | 1 |
| 13 | NSS | Screw, Round Phillips Head, # 6-32 X 1/2 Inch Long | 2 |
| 14 | NSS | Lock Washer, # 6 | 2 |
| 15 | NSS | Body, Check-Valve | 1 |
| 16 | 17-44746-00 | Gasket, Valve Plate, Center Or Side Banks | 1 |
| 17 | 17-44747-00 | Gasket, Cylinder Head, Center Or Side Banks | 1 |

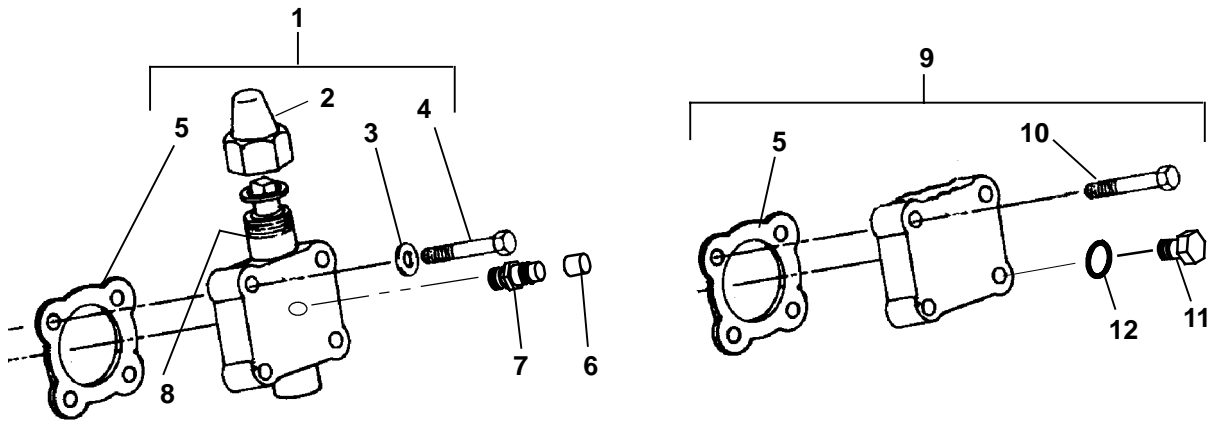
9 GASKETS



| Item | Part Number | Description | Qty |
|------|-------------|---|-----|
| 1 | 17-44141-00 | Gasket, Suction Service Valve - 4-Bolt | 1 |
| 2 | 17-44746-00 | Gasket, Valve Plate | 3 |
| 3 | 17-44747-00 | Gasket, Cylinder Head, Center Or Side Banks | 3 |
| 4 | 17-44136-00 | Gasket, Motor End Cover | 2 |
| 5 | 17-44129-00 | Gasket, Bottom Plate | 1 |
| 6 | 17-44022-00 | Gasket, Pump End Bearing Head | 1 |
| 7 | 17-40104-07 | Gasket, Unloader Body | 2 |
| 8 | 17-44021-00 | Gasket, Sightglass | 2 |
| 9 | 17-44138-00 | Gasket, Service Valve - 2-Bolt | 2 |

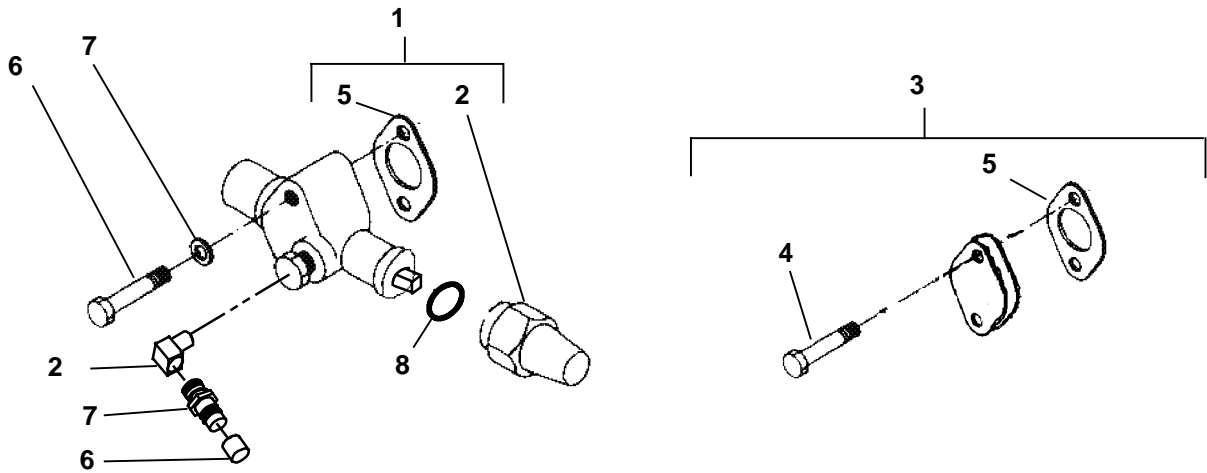
10 COMPRESSOR - SERVICE VALVE GROUP

10.1 Suction - Service Valve



| Item | Part Number | Description | Qty |
|------|-------------|---|-----|
| 1 | 17-40002-01 | Valve, Service, Suction, 1-3/8 Inches ODF - Includes: | 1 |
| 2 | 17-10812-00 | Cap, Service Valve (Plastic) | 1 |
| 3 | 17-40007-00 | Gasket, Capscrew, 1/2 Inch | 4 |
| 4 | 17-13020-00 | Capscrew, Hex Head, 1/2-13 X 2-1/2 Inches Long, SAE Grade 8 | 4 |
| 5 | 17-40005-05 | Gasket, 4-Bolt Service Valve (Fiber) | 1 |
| | 17-44141-00 | Gasket, 4-Bolt Service Valve (Metal) | |
| 6 | DD19CA061 | Cap, 1/4 Flare | 1 |
| 7 | 06DA403-844 | Valve, Access (1/4 Flare, Schrader) | 1 |
| 8 | 17-13022-00 | Packing, Service Valve Stem (P10) | 1 |
| 9 | 17-13006-00 | Kit, Valve Pad Blank Off, 4-Bolt Service Valve - Includes: | 1 |
| 10 | AA06BR-293 | Capscrew, Hex Head, 1/2-13 X 1-1/2 Inches Long | 4 |
| 11 | 17-44037-00 | Plug, O-Ring, 7/16-20 - Includes: | 1 |
| 12 | 42-00243-07 | O-Ring | 1 |
| 5 | 17-40005-05 | Gasket, 4-Bolt Service Valve (Fiber) | 1 |
| | 17-44141-00 | Gasket, 4-Bolt Service Valve (Metal) | |

10.2 Discharge - Service Valve



| Item | Part Number | Description | Qty |
|------|-------------|--|-----|
| 1 | 17-01042-04 | Valve, Service, Discharge, 7/18 Inch ODF - Includes: | 1 |
| 2 | 17-10812-00 | Cap, Service Valve (Plastic) | 1 |
| 5 | 17-10811-05 | Gasket, 2-Bolt Service Valve (Fiber) | 1 |
| | 17-44138-00 | Gasket, 2-Bolt Service Valve (Metal) | |
| 2 | 40-00060-08 | Elbow, 1/8 MPT X 1/4 FPT - Brass | 1 |
| 3 | 17-13004-00 | Kit, Valve Pad Blank Off, 2-Bolt Service Valve Includes: | 1 |
| 4 | 17-40012-00 | CapScrew, Hex Head, 5/16-18 X 1 Inch Long | 2 |
| 5 | 17-10811-05 | Gasket, 2-Bolt Service Valve (Fiber) | 1 |
| 6 | 17-40012-00 | Capscrew, Hex Head, 5/16-18 X 2 Inches Long | 2 |
| 7 | 17-40013-00 | Gasket, Capscrew, 5/16 Inch | 2 |

PART NUMBER INDEX

| PART NO. | PAGE NO. | PART NO. | PAGE NO. | PART NO. | PAGE NO. |
|-------------|----------|-------------|-----------|--------------|----------|
| 06DA403-844 | 12 | 17-40104-07 | 9, 11 | 17-44751-00 | 10 |
| 17-01042-04 | 13 | 17-40104-08 | 10 | 17-44758-00 | 6 |
| 17-10218-00 | 3 | 17-40104-09 | 10 | 17-44763-00 | 6 |
| 17-10715-00 | 10 | 17-40104-20 | 9 | 17-44790-00 | 3 |
| 17-10811-05 | 13 | 17-40111-00 | 9 | 17-44791-00 | 3 |
| 17-10812-00 | 12, 13 | 17-40204-00 | 7 | 17-55008-00 | 8 |
| 17-10825-00 | 5 | 17-40409-00 | 9 | 17-55009-01 | 7 |
| 17-13004-00 | 13 | 17-40413-00 | 8 | 17-55010-00 | 9 |
| 17-13006-00 | 12 | 17-40417-00 | 9 | 17-55012-00 | 10 |
| 17-13020-00 | 12 | 17-40418-00 | 9 | 17-55023-00 | 8 |
| 17-13022-00 | 12 | 17-44005-00 | 3 | 17-55025-00 | 8 |
| 17-21062-00 | 6 | 17-44009-05 | 3 | 17-55034-00 | 3 |
| 17-21063-00 | 3 | 17-44021-00 | 3 | 18-00069-50 | 5 |
| 17-21076-00 | 8 | 17-44022-00 | 7, 11 | 18-10138-102 | 1 |
| 17-21077-00 | 8 | 17-44037-00 | 6, 7, 12 | 34-00372-39 | 5 |
| 17-40002-01 | 12 | 17-44072-00 | 8 | 34-00670-08 | 5 |
| 17-40005-05 | 12 | 17-44073-00 | 8 | 34-06026-00 | 9 |
| 17-40007-00 | 12 | 17-44113-00 | 10 | 34-06051-104 | 5 |
| 17-40012-00 | 13 | 17-44121-00 | 11 | 34-60068-20 | 5 |
| 17-40013-00 | 13 | 17-44128-00 | 5 | 34-60095-46 | 5 |
| 17-40018-05 | 3 | 17-44129-00 | 3, 6, 11 | 40-00060-08 | 13 |
| 17-40020-00 | 6 | 17-44136-00 | 3, 11 | 42-00243-03 | 9 |
| 17-40034-05 | 6 | 17-44137-00 | 7 | 42-00243-07 | 6, 7, 12 |
| 17-40037-05 | 7 | 17-44138-00 | 11, 13 | 68-12988-00 | 5 |
| 17-40042-00 | 6 | 17-44139-00 | 7 | 6D68-1621 | 8 |
| 17-40048-00 | 8 | 17-44141-00 | 11, 12 | 76-50192-00 | 5 |
| 17-40050-00 | 8 | 17-44742-00 | 10 | 86-04298-00 | 5 |
| 17-40053-00 | 8 | 17-44744-00 | 10 | AA06BR-293 | 12 |
| 17-40055-00 | 8 | 17-44746-00 | 10, 11 | AA06GR262 | 3 |
| 17-40056-02 | 8 | 17-44747-00 | 3, 10, 11 | AW01DA096 | 8 |
| 17-40057-00 | 8, 10 | 17-44748-00 | 10 | CA63AA051 | 3 |
| 17-40078-05 | 7 | 17-44749-00 | 10 | DD19CA061 | 12 |
| 17-40093-06 | 5 | 17-44750-00 | 10 | | |