

Carrier  
Transicold  
Compressor

05K



Service  
Parts List



**TRANSICOLD**

# Service Parts List MODEL 05K COMPRESSOR

## CONTENTS

Introduction .....	i
Ordering Instructions .....	i
General Notes .....	i
1. Tools/Oils/Fittings .....	1
2. Gasket Set .....	2
3. Compressors .....	3
4. Cylinder Head (4 Cylinder) .....	4
5. Cylinder Head and Service Valves (2 Cylinder) .....	5
6. Service Valves (4 Cylinder) .....	6
7. Shaft Seal .....	7
8. Valve Plate Assembly .....	8
9. Bearing Head and Oil Pump .....	10
10. Unloaders .....	12
11. Crankshaft, Rod and Piston .....	14
12. Crankcase .....	15
13. Clutch Assembly (Bus & Rail) .....	16
14. Pressure Switches (Bus & Rail) .....	16



**Carrier**

A United Technologies Company

# 05K

## INTRODUCTION

This parts list identifies service replacement parts for Models 05K Compressors listed in the Model Chart below.

**Model Chart**

MODELS	PART NO.	REMARKS
05K-12	18-60000-04RM	12 cfm – 2 Cylinders – Truck
05K-12	18-60000-06RM	12 cfm – 2 Cylinders – Bus & Rail
05K-24	18-00056-100RM	24 cfm – 4 Cylinders* – Bus & Rail
05K-24	18-00057-23RM	24 cfm – 4 Cylinders* – Optima
05K-24	18-00063-31	24 cfm – 4 Cylinders (NO Unloader) – R-404A
05K-24	17-44730-00RM	24 cfm – 4 Cylinders (NO Unloader) – R-22
*With Plugged Head For Hot Gas Bypass Unloader		

## ORDERING INSTRUCTIONS

All orders and inquiries for parts must include:

- Unit Serial Number
- Part No.
- Description of Part
- Quantity Required

Address all correspondence for parts to the following address:

CARRIER TRANSICOLD DIVISION  
Replacement Components Group, TR-20  
P.O. Box 4805, Syracuse, NY 13221.  
or  
Fax to: (315) 432-3778

## GENERAL NOTES

To find replacement parts consult table of contents, and turn to the appropriate page for illustrated breakdown of replacement parts. The following letter designations are used to classify parts throughout this list.

A/R     *As Required*

CRES   *Corrosion Resistant Steel* – 300 Series unless otherwise specified.

NS     *Not Shown* in the illustration.

NSS    *Not Sold Separately* – order next higher assembly or kit.

PL     *Purchase Locally.*

SV     Suffix SV added to part number designates service replacement part.

# 05K

ITEM	PART NO.	DESCRIPTION	QTY
<b>1. TOOLS /OILS / FITTINGS</b>			
NS	07-00219-00	Wrench, Compressor Sight Glass	
NS	07-00223-00	Pliers, Compressor Unloader Ring	
NS	07-00240-01	Wrench, Spanner (for Housing Mounted Clutch)	
NS	07-00241-00	Rotor Installation Tool (for Housing Mounted Clutch)	
NS	07-00242-01	Bearing Retaining Nut Socket (3.5" ) (for Housing Mounted Clutch)	
NS	07-00242-02	Bearing Retaining Nut Socket (3" ) (for Housing Mounted Clutch)	
NS	07-00260-00	Acid Test Kit, Mineral oils	
NS	07-00337-00	Acid Test Kit, POE oils	
NS	07-00265-01	Totaltest Kit	
NS	07-00266-00	Replacement Tubes for Totaltest Kit	
NS	58-04165-00	Filter, Felt (Suction Sock for System Clean Up)	
NS	07-00275-00	Oil, Compressor – for "R-12, R-22 & R-502" refrigerant (1 gallon)	
NS	07-00317-00	Oil, Compressor POE – for "R-134a & 404A" refrigerant (1 gallon)	
NS	07-00316-00	Meter, Refractometer for compressor oil	
NS	17-55013-00	Kit, Unloader Valve Blank-off plate (hot gas by pass)	
NS	17-21056-00	Kit, Unloader Valve Blank-off plate (suction cut out)	
NS	17-13008-00	Kit, Service Valve Pad Blank off 2 bolt 1-5/8 C/L	
NS	17-13004-00	Kit, Service Valve Pad Blank off 2 bolt 1-3/4 C/L	
NS	58-00869-00	Filter, Felt (Suction Sock for System Clean Up)	
NS	17-13010-00	Access Port W/Shrader, Male 1/8 NPT X Male 1/4 Flare Access Port	
NS	06DA403844	Access Port W/Shrader Male 1/4 NPT X Male 1/4 Flare Access Port	
NS	OTBO889	Access Port W/Shrader Male 7/16-20 O-Ring X Male 1/4 Flare Access Port	
NS	DD19CA061	CAP, 1/4 FLARE	
NS	07-00319-00	Bushing, Male 1/4 NPT X Female 7/16 O-Ring	
NS	40-00528-02	Bushing, Male 7/16-20 O-Ring X Female 1/4 NPT	
NS	40-00528-00	Bushing, Male 9/16-18 O-Ring X Female 1/4 NPT	
NS	40-00121-01	Bushing, 1/4 NPT x 1/8 NPT	
NS	40-00129-02	Elbow, Street 90 degree 1/4 MPT x 1/4 FPT	
NS	40-00102-03	Elbow, 1/4 Flare x 1/8 NPT	
NS	40-01166-00	Elbow, 90 degree Male 9/16-18 O-Ring X Female 1/4 NPT	
NS	40-01166-01	Elbow, 90 degree Male 7/16-20 O-Ring X Female 1/4 NPT	
NS	17-44037-00	Plug, 7/16-20 O-Ring	
NS	17-44706-00	Plug, 9/16-18 O-Ring	
NS	79-00965-00	Tee, Snubber 1/8 x 1/8 x 1/8	

# 05K

## 2. GASKET SET

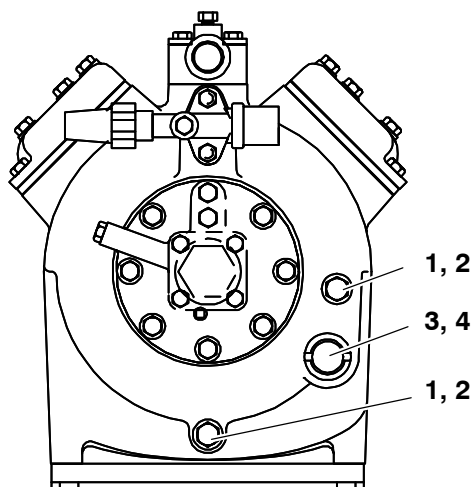
NOTE: REFER TO APPROPRIATE SECTION FOR ILLUSTRATION

SECTION	ITEM	PART NO.	DESCRIPTION	QTY
NS	NS	17-44707-00	Gasket Set – Includes:	1
3.	4	17-44021-00	Gasket, Sight Glass	1
5.	10	17-10811-05	Gasket, Suction Service Valve	1
5.	6	17-21003-00	Gasket, Discharge Service Valve	1
9.	7	17-44022-00	Gasket, Oil Pump Bearing Head	1
10.	6	17-40104-07	Gasket, Unloader Valve	1
8.	11	17-44123-00	Gasket, Center Cylinder Head	2
8.	12	17-44124-00	Gasket, Side Cylinder Head (No Unloader)	1
8.	12B	17-44126-00	Gasket, Side Cylinder Head (Hot Gas Bypass Unloader)	1
7.	6	17-44713-00	Gasket, Seal Plate (Shaft)	1
8.	6	17-55002-00	Gasket, Valve Plate	2
12.	6	17-44712-00	O-Ring	1
12.	1	17-44023-00	Gasket, Front Cover <b>2 Cylinder</b>	1
12.	1	17-44021-00	Gasket, Front Cover <b>4 Cylinder</b>	1

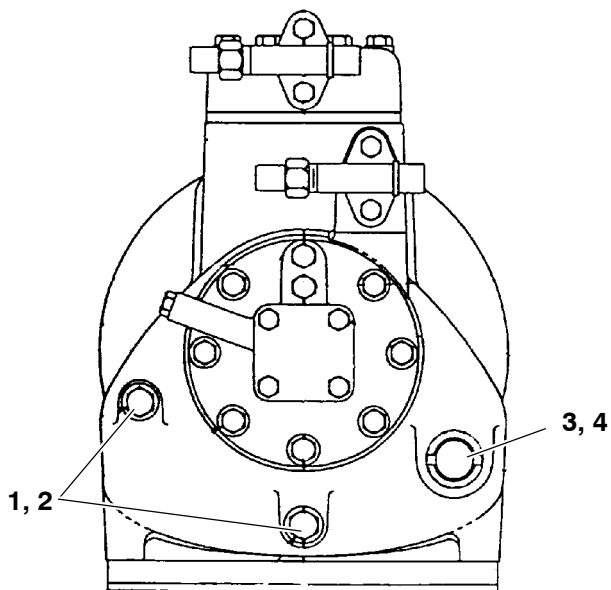
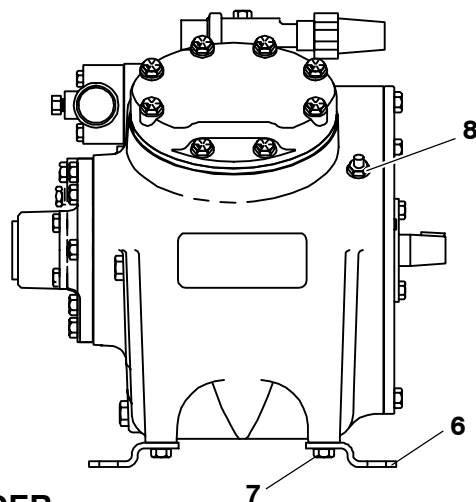
# 05K

ITEM	PART NO.	DESCRIPTION	QTY
------	----------	-------------	-----

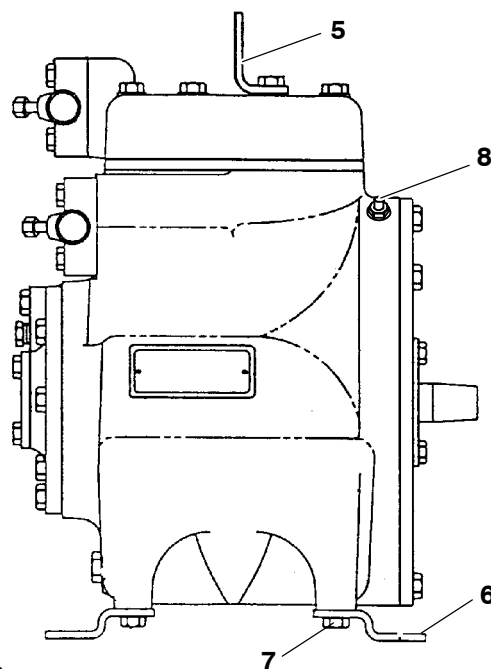
## 3. COMPRESSORS



**4 CYLINDER**



**2 CYLINDER**

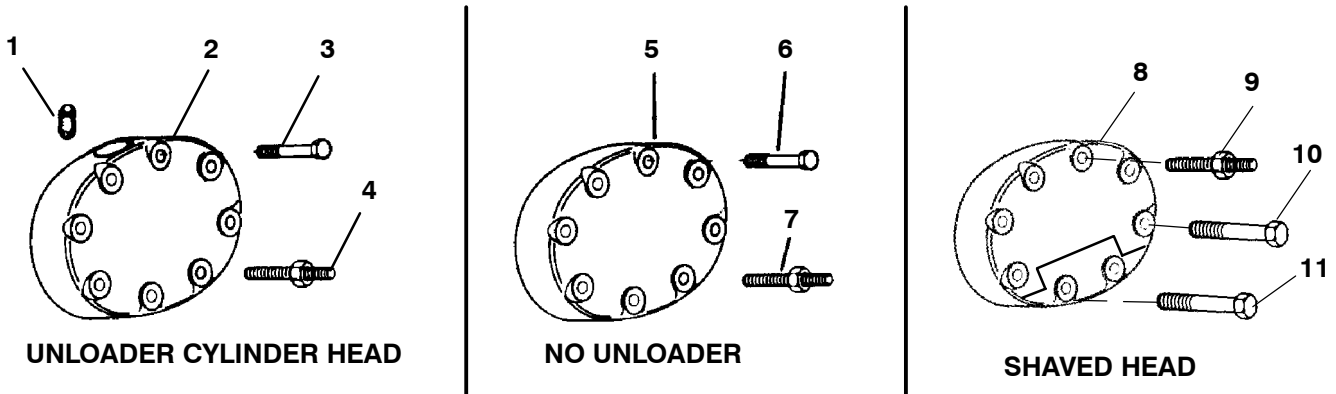


1	17-44037-00	Plug, O-Ring (7/16-20) – Includes:	3
2	42-00243-07	O-Ring	1
1	17-44706-00	Plug, O-Ring (9/16-18) – Includes:	3
2	42-00243-05	O-Ring	1
3	17-10218-00	Sight Glass	1
4	17-44021-00	Gasket, Sight Glass	1
5	17-44701-00	Lug, Lifting – 2 Cylinder	1
NS	17-44726-00	Lug, Lifting – 4 Cylinder	1
6	17-40036-00	Foot	2
7	PL	Capscrew, Hex Head 1/2-13 x 1" lg	4
8	O6DA403-844	Valve, Schrader (1/4 npt x 1/4 Flare)	1
8	OTB0889	Valve, Schrader (7/16 -20 x 1/4 Flare)	1
NS	DD-19CA061	Cap, Knurled for 1/4" flare	1

# 05K

ITEM	PART NO.	DESCRIPTION	QTY
------	----------	-------------	-----

## 4. CYLINDER HEAD (4 CYLINDER)

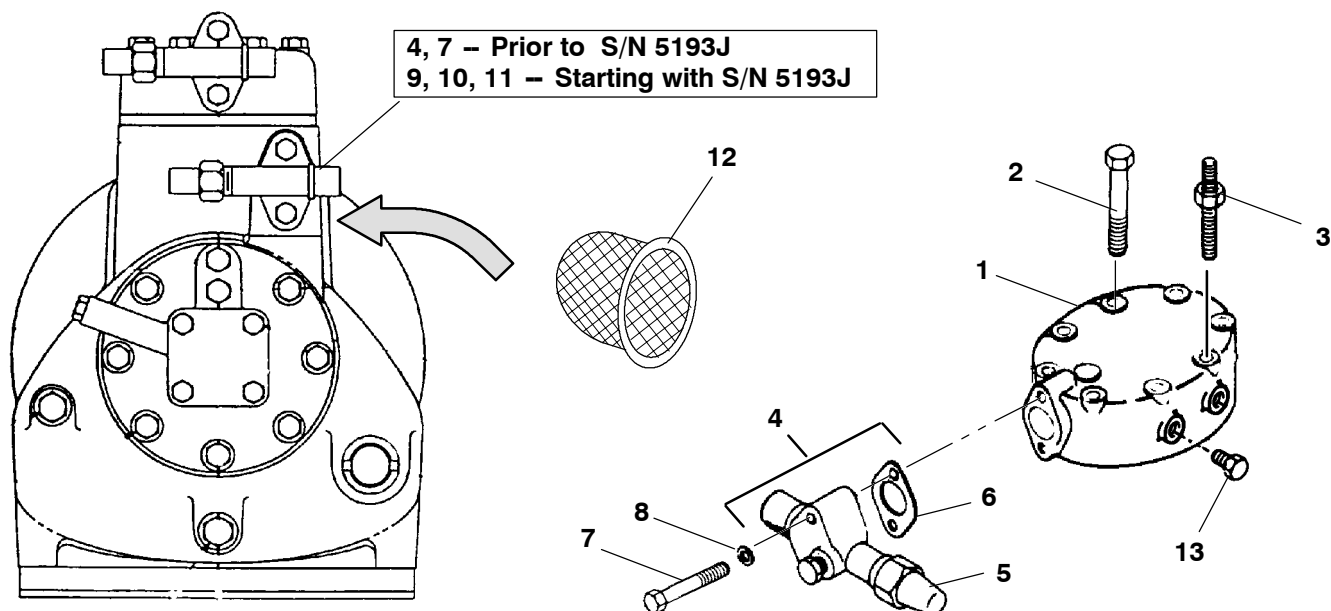


1	17-40108-00	Strainer	1
2	17-21041-00	Cylinder Head ( <b>Suction Cutoff Unloader</b> )	1
2	17-40104-05	Cylinder Head ( <b>Hot Gas Bypass Unloader</b> )	1
3	17-40018-05	Capscrew, Hex Head 3/8-16 x 3"lg – SAE Grade 8	A/R
4	17-44017-01	Stud, 3/8-16 x 3-3/4" lg	A/R
5	17-44731-00	Cylinder Head ( <b>No Unloader</b> )	1
6	17-44117-00	Capscrew, Hex Head, 3/8-16 x 2-1/4"lg – SAE Grade 8	A/R
7	17-57010-00	Stud, 3/8-16 x 2-1/2" lg	A/R
8	17-21040-00	Cylinder Head ( <b>Shaved – No Unloader</b> )	A/R
9	17-44732-00	Stud, 3/8-16 x 2 lg	A/R
10	17-40034-05	Capscrew, Hex Head 3/8-16 x 2.00" lg – SAE Grade 8	A/R
11	17-40037-05	Capscrew, Hex Head 3/8-16 x 1.00" lg – SAE Grade 8	A/R

# 05K

ITEM	PART NO.	DESCRIPTION	QTY
------	----------	-------------	-----

## 5. CYLINDER HEAD AND SERVICE VALVES (2 CYLINDER)



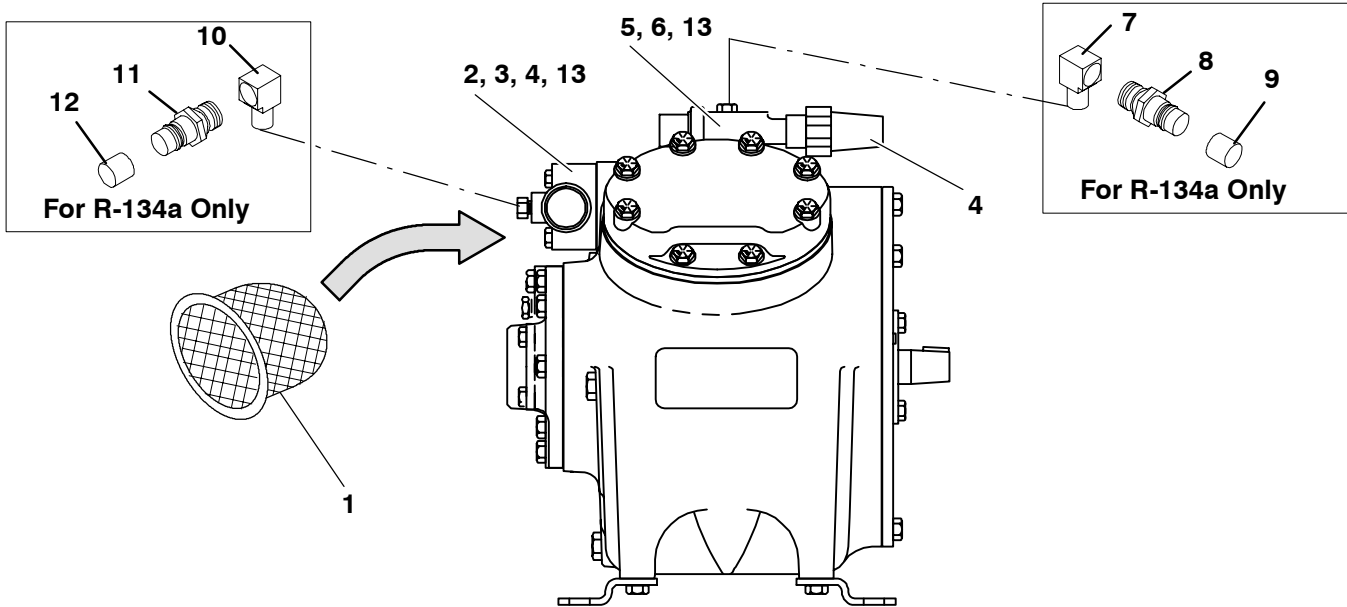
1	17-44700-00	Cylinder Head – Center Bank	1
2	17-40018-05	Capscrew, Hex Head 3/8-16 x 3.00" lg – SAE Grade 8	6
3	17-44733-00	Stud, 3/8-16 x 3 lg	2
4	14-01042-01	Valve, Discharge Service (7/8 OD) – Includes:	1
4	14-01042-05	Valve, Discharge Service (3/4 OD) – Includes:	1
5	17-10812-00	Cap, Service Valve (Plastic) – Includes:	1
6	17-21003-00	Gasket, Service Valve	1
5	17-10806-10	Cap, Service Valve (Brass)	1
7	17-13002-00	Capscrew, Hex Head 5/16-18 x 1.25" lg – SAE Grade 8	2
8	17-40013-00	Gasket, Capscrew (5/16)	2
9	14-01042-04	Valve, Suction Service 7/8 OD – Includes:	1
10	17-10811-05	Gasket, Service Valve	1
5	17-10812-00	Cap, Service Valve (Plastic)	1
11	17-57019-05	Capscrew, Hex Head 5/16-18 x 1.75" lg – SAE Grade 8	2
12	17-44716-00	Strainer, Suction (Starting with S/N 5193J_____)	1
13	PL	Pipe Plug 1/4-18 npt	2
NS	17-13022-00	Packing, Service Valve Stem	1



# 05K

ITEM	PART NO.	DESCRIPTION	QTY
------	----------	-------------	-----

## 6. SERVICE VALVES (4 CYLINDER)

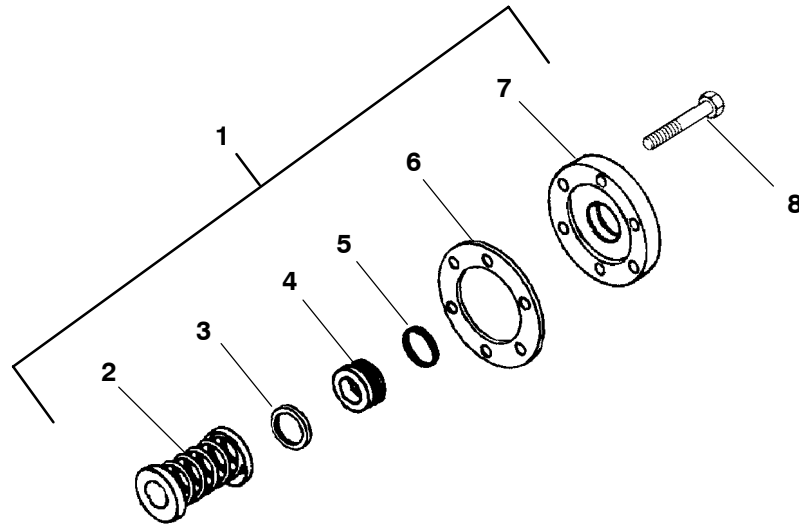


1	17-44716-00	Strainer, Suction	1
2	14-01042-04	Valve, Suction Service 7/8" ODS – Includes:	1
2	14-01042-03	Valve, Suction Service 1-1/8" ODS – Includes:	1
3	17-10811-05	Gasket, Service Valve	1
4	17-10812-00	Cap, Service Valve (Plastic)	1
5	17-13000-01	Valve, Discharge Service 3/4" ODS – Includes:	1
5	14-01042-01	Valve, Discharge Service 7/8" ODS – Includes:	1
6	17-21003-00	Gasket, Service Valve	1
4	17-10812-00	Cap, Service Valve (Plastic)	1
7	40-00524-01	Elbow, 1/8 NPTF x M15 – Brass	1
8	40-00520-01	Coupling, M15 – Brass – Includes:	1
9	40-00520-03	Cap, Service Port	1
10	40-00524-00	Elbow, 1/4 NPTF x M13 – Brass	1
11	40-00520-00	Coupling, M13 – Brass – Includes:	1
12	40-00520-02	Cap, Service Port	1
13	17-40012-00	Capscrew, Hex Head 5/16-18 x 2 lg – SAE Grade 8	2

# 05K

ITEM	PART NO.	DESCRIPTION	QTY
------	----------	-------------	-----

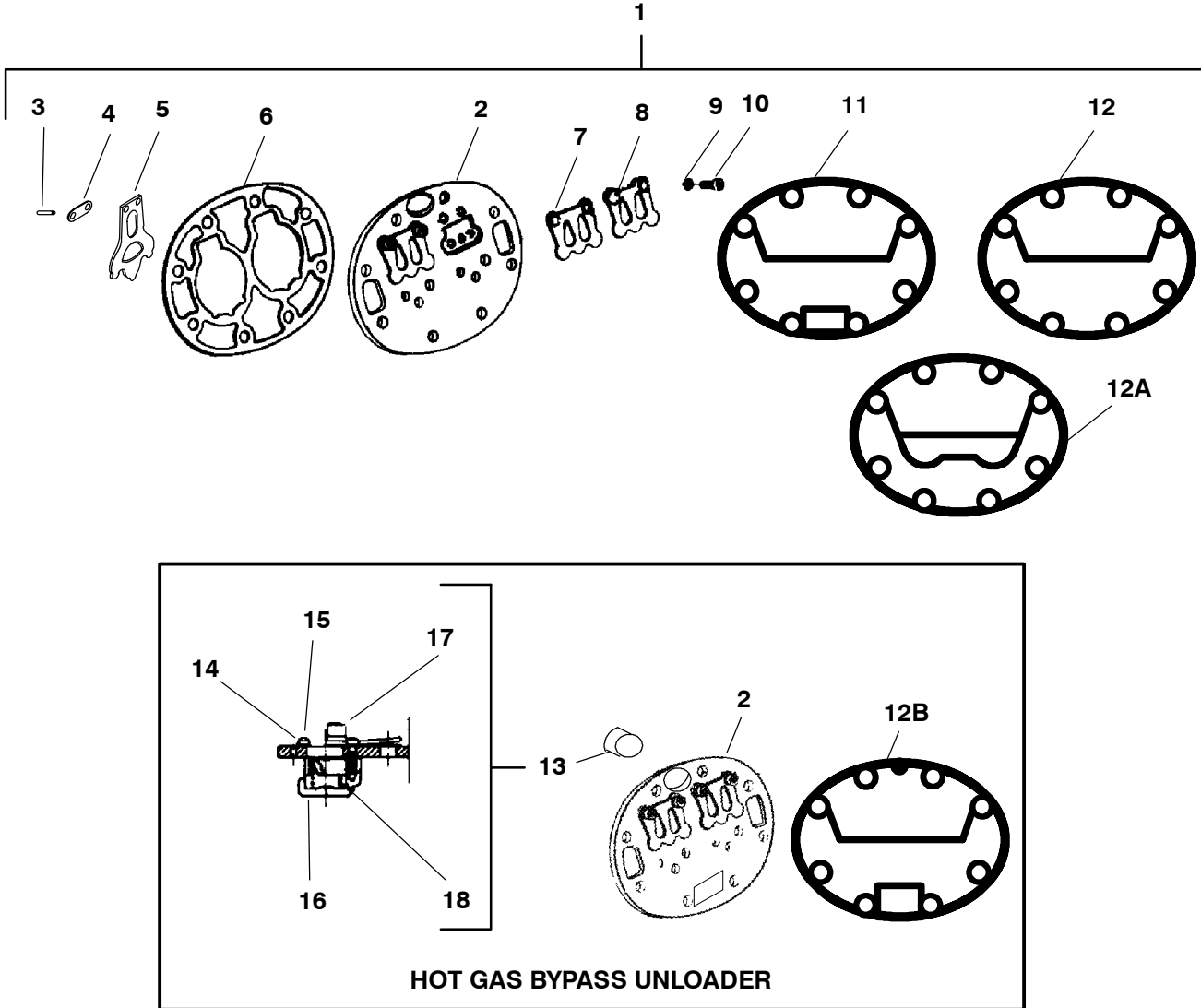
## 7. SHAFT SEAL



1	17-44740-00	Seal Assembly, Shaft – Includes:	1
2	NSS	Seal, Shaft	1
3	17-56027-00	Ring, Carbon	1
4	NSS	Ring, Wear (Silicone Carbide)	1
5	KK-71GW-015	O-Ring	1
6	17-44713-00	Gasket, Seal Plate (Shaft)	1
7	NSS	Plate, Seal (Shaft)	1
NS	17-10301-10	Felt Ring	1
8	17-40077-05	Screw, Hex Head 5/16-18 x 0.75" lg – SAE Grade 8	6

# 05K

## 8. VALVE PLATE ASSEMBLY



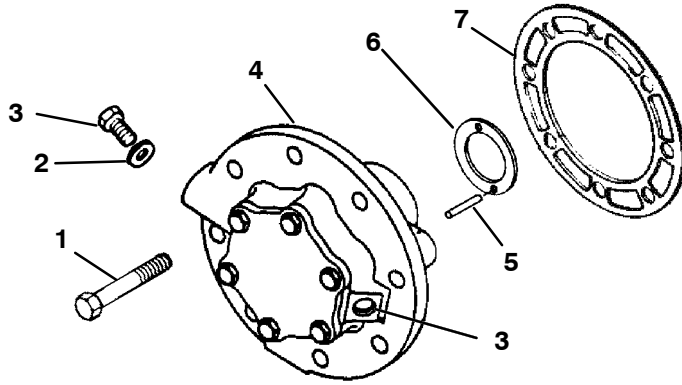
# 05K

ITEM	PART NO.	DESCRIPTION	QTY
<b>8. VALVE PLATE ASSEMBLY</b>			
1*	17-44104-00	Valve Plate ( <b>Canted Narrow Seat, Side Bank with hot gas bypass unloader</b> ) – Includes:	1
1*	17-44105-00	Valve Plate ( <b>Canted Narrow Seat, Center or Side with suction cutoff unloader or No unloader</b> ) – Includes:	1
1*	17-44106-00	Valve Plate ( <b>Flat, Side Bank with hot gas bypass unloader</b> ) – Includes:	1
1*	17-44107-00	Valve Plate ( <b>Flat, Center &amp; Side with suction cutoff unloader</b> ) – Includes:	1
1*	17-44099-00	Valve Plate ( <b>Flat, Side Bank with No Unloader</b> ) – Includes:	1
2	NSS	Valve Plate	1
3	17-40057-00	Dowel, Pin Suction Valve	4
4	17-40083-00	Spring, Suction Valve Position	2
5	17-44111-00	Valve, Suction ( <b>0.018</b> ) – <b>05G and 05K</b>	2
6	17-44007-06	Gasket, Valve Plate ( <b>05G</b> )	1
6	17-55002-00	Gasket, Valve Plate ( <b>05K</b> )	1
7	17-40086-00	Valve, Discharge	2
8	17-44160-00	Stop, Discharge Valve	2
9	17-10715-00	Lockwasher, 1/4	4
10	17-44113-00	Capscrew, Hex Head, 1/4-28 x 3/8" lg	4
11	17-44123-00	Gasket, Center Cylinder Head	1
12	17-44124-00	Gasket, Side Cylinder Head ( <b>No Unloader</b> )	1
12A	17-44125-00	Gasket, Side Cylinder Head ( <b>Suction Cutoff Unloader</b> )	1
12B	17-44126-00	Gasket, Side Cylinder Head ( <b>Hot Gas Bypass Unloader</b> )	1
13	17-55012-00	Unloader Check Valve ( <b>Hot Gas Bypass Unloader</b> ) – Includes:	1
14	NSS	Lockwasher, #6	2
15	NSS	Screw, Round Phillips Head, #6-32 x 1/2" lg	2
16	NSS	Body Check Valve	1
17	17-40104-08	Piston, Check Valve	1
18	17-40104-09	Spring, Check Valve	1

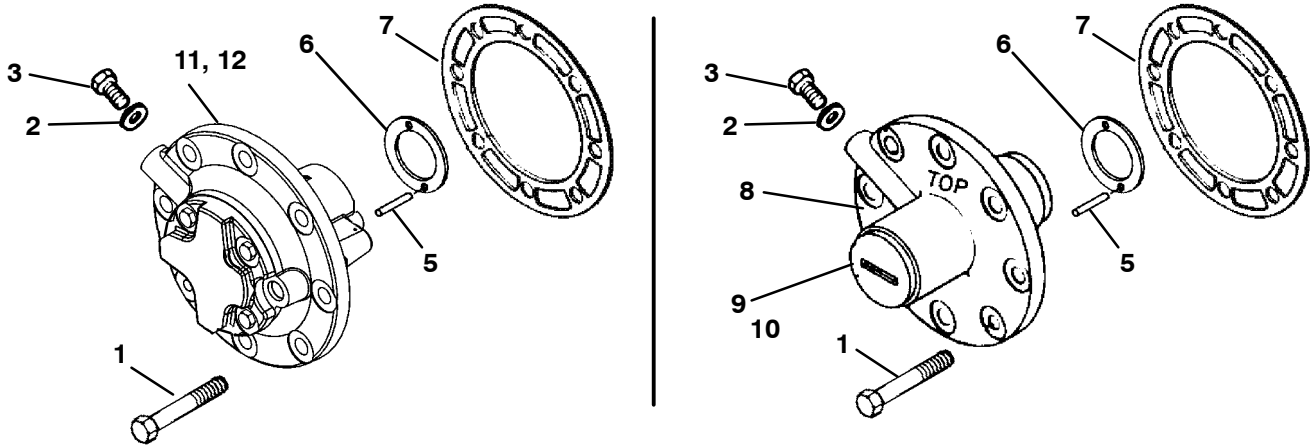
\*Canted Valve Plates are for Refrigeration use. Flat Valve Plates are for Air Conditioning use.

# 05K

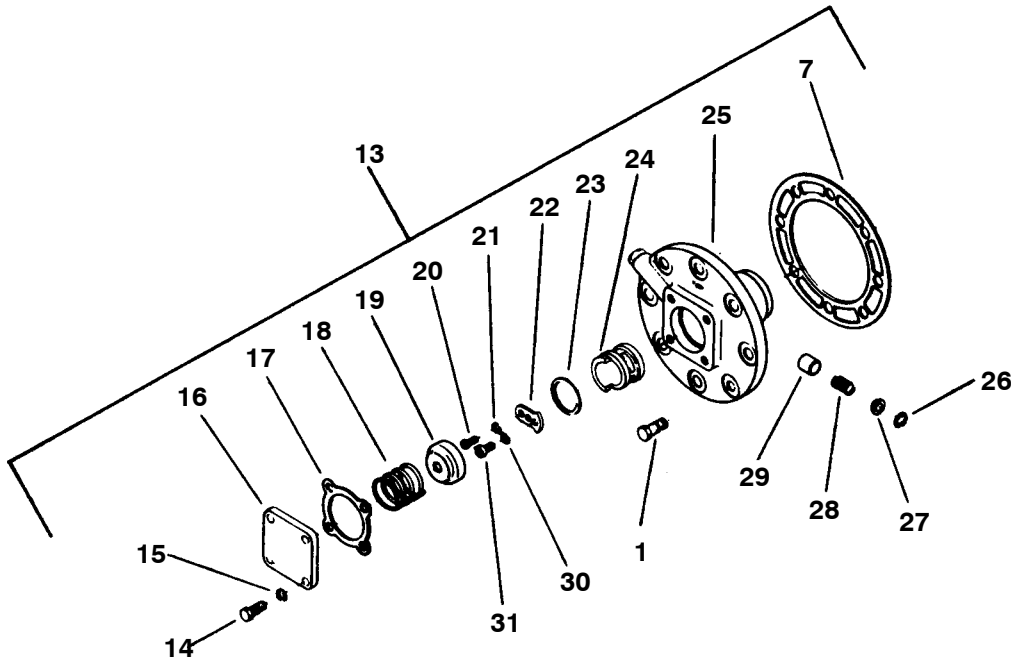
## 9. BEARING HEAD AND OIL PUMP



**UNIVERSAL GEAR PUMP**



**GEAR PUMPS**



**VANE PUMP**

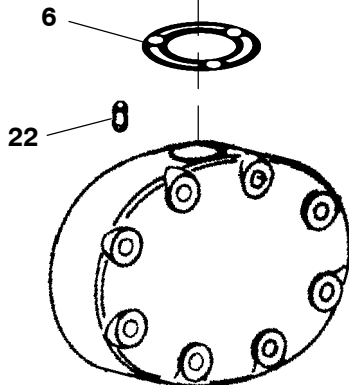
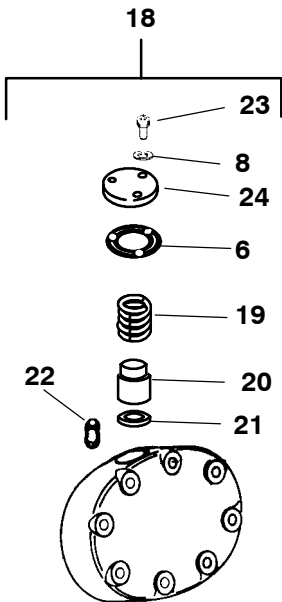
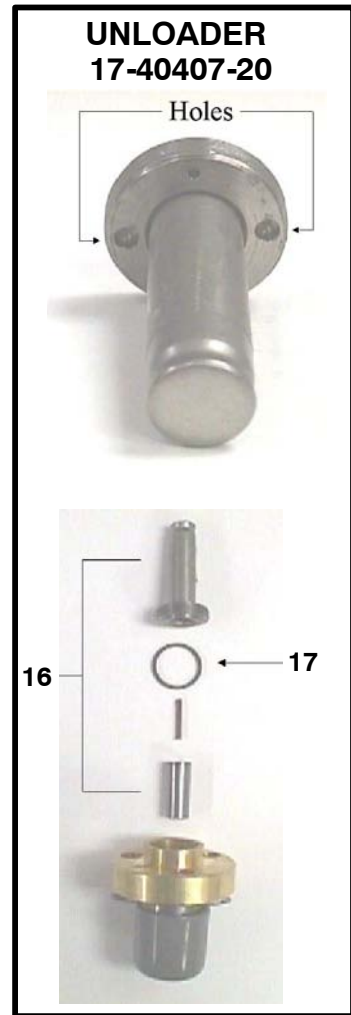
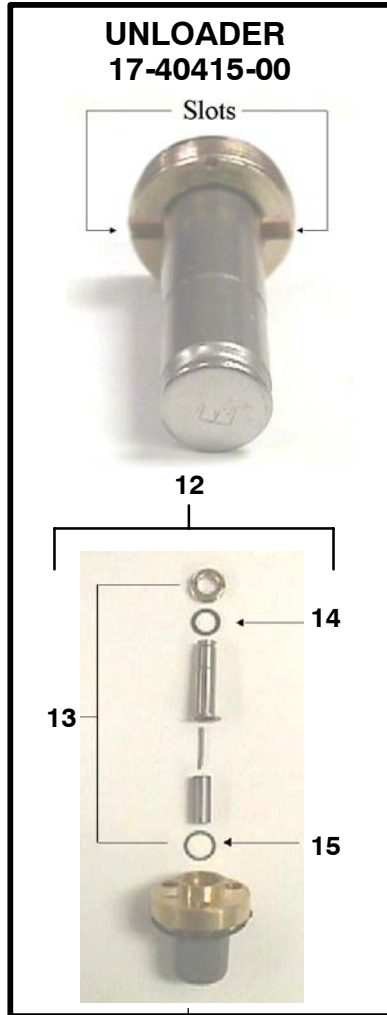
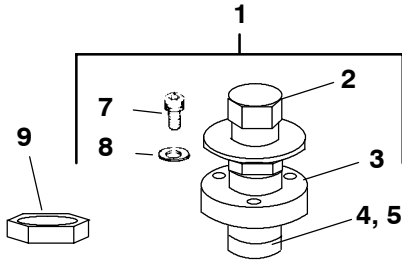
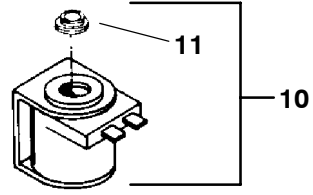
# 05K

ITEM	PART NO.	DESCRIPTION	QTY
<b>9. BEARING HEAD AND OIL PUMP</b>			
1	17-10308-00	Capscrew, Hex Head, 3/8-16 x 1-1/4" lg – SAE Grade 5	8
2	17-40019-00	Washer, Seal	1
2	42-00243-07	O-Ring, for <b>7/16-20 straight thread fittings</b>	1
3	PL	Capscrew, <b>3/8-16 X3/4" lg</b>	1
3	17-44037-00	Plug, with O-Ring <b>7/16-20</b>	1
4	17-44137-00	Oil Pump and Bearing Head Assembly ( <b>Universal Gear Pump</b> )	1
NS	17-44139-00	O-Ring, Pump cover plate	1
5	17-40204-00	Pin Roll, 1/8 dia X 1/2" lg	2
6	17-55009-01	Thrustwasher, Pump End	1
7	17-40078-05	Gasket, Bearing Head ( <b>Fiber</b> )	1
7	17-44022-00	Gasket, Bearing Head ( <b>Metal</b> )	1
8	SEE NOTE	Oil Pump and Bearing Head Assembly ( <b>Gear Pump</b> ) – Includes:	1
9	17-44033-01	Cover Assembly, Screw – Includes:	1
10	17-44033-02	Gasket, O-Ring	1
11	SEE NOTE	Oil Pump and Bearing Head ( <b>Low Profile Gear Pump</b> ) – Includes:	1
12	42-00045-01	O-Ring	1
13	17-44734-00	Oil Pump and Bearing Head Assembly ( <b>Vane Pump</b> ) – Includes:	1
7	17-40078-05	Gasket, Bearing Head	1
14	17-40077-05	Capscrew, Hex Head, 5/16-18 x 3/4" lg – SAE Grade 8	4
15	17-40013-00	Gasket, Capscrew, 5/16	4
16	17-40076-00	Cover, Oil Pump	1
17	17-40075-05	Gasket, Oil Pump Cover	1
18	17-40069-00	Spring, Oil Feed Vane	1
19	17-40070-00	Guide, Oil Feed Vane	1
20	17-40072-00	Capscrew, Socket Head, #10-32 x 1/2" lg – SAE Grade B7	1
21	17-40073-00	Lockwasher, #10	1
22	17-44710-00	Drive Segment, Oil Pump	1
23	17-40068-00	Retaining Ring, Rotor	1
24	17-40067-00	Pump, Rotor	1
25	NSS	Head (Includes Bearing)	1
26	17-40066-00	Ring, Plunger Retaining	2
27	17-40065-00	Guide Plunger Vane Spring	2
28	17-40064-00	Spring Plunger	2
29	17-40063-00	Vane, Pump	2
30	17-10715-00	Lockwasher, 1/4	1
31	17-40074-01	Capscrew, Socket Head, 1/4-28 x 5/8" lg – SAE Grade B7	1

NOTE: 17-44033-10 and 17-44714-00 Oil Pump and Bearing Head Assemblies (Gear Pump) are **No Longer Offered use Item 4**

# 05K

## 10. UNLOADERS



PLUG - HOT GAS BYPASS

# 05K

ITEM	PART NO.	DESCRIPTION	QTY
<b>10. UNLOADERS</b>			
1	17-55018-01	Valve Assembly ( <b>Pressure</b> ) – Includes:	A/R
2	NSS	Power Assembly, Unloader (Suction Press Activated)	1
3	NSS	Body Assembly, Valve	1
4	17-40409-00	Piston (For Hot Gas Bypass Unloaders) – Includes:	1
5	17-55010-00	Ring, Piston	1
6	17-40104-07	Gasket, Unloader Valve	1
7	17-40111-00	Screw, Socket Head 1/4-28 x 0.75" lg	1
8	17-40104-20	Gasket, Socket Head Screw (1/4)	1
9	34-01139-00	Nut, Unloader Adjuster Lock	
10	22-02567-00	Coil, Valve ( <b>12 v-dc with Spade Terminal</b> ) – Includes:	A/R
10	14-00143-07	Coil, Valve ( <b>12 v-dc</b> ) – Includes:	A/R
10	22-50030-00	Coil, Valve ( <b>24 v-dc</b> ) – Includes:	A/R
10	22-02567-01	Coil, Valve ( <b>24 v-ac</b> ) – Includes:	A/R
10	16-00149-00	Coil, Valve ( <b>115 v-ac</b> ) – Includes:	A/R
10	17-10829-00	Coil, Valve ( <b>230 v-ac</b> ) – Includes:	A/R
11	17-40408-02	Cap, Snap	1
NS	34-06026-00	Pin, Unloader Coil Retainer	
12	17-40415-00	Valve Assembly ( <b>Electric</b> ) – Includes:	A/R
4	17-40409-00	Piston (For Hot Gas Bypass Unloaders) – Includes:	1
5	17-55010-00	Ring, Piston	1
6	17-40104-07	Gasket, Unloader Valve	1
7	17-40111-00	Screw, Socket Head 1/4-28 x 0.75" lg	3
8	17-40104-20	Gasket, Socket Head Screw (1/4)	3
13	17-40415-30	Kit, Valve Stem Repair ( <b>For Valve 17-40415-00</b> ) – Includes:	1
14	17-40415-20	O-Ring, Inner	1
15	17-40415-25	O-Ring, Outer	1
16	16-00143-01	Kit, Valve Stem Repair ( <b>For Valve 17-40407-20</b> ) – Includes:	1
NS	NSS	Installation/Remover Tool	1
17	17-55022-00	O-Ring	1
18	17-55013-00	Kit, Plug (Hot Gas Bypass To Fully Loaded) – Includes:	A/R
19	NSS	Spring	1
20	NSS	Plug	1
21	17-55014-00	Ring, Seat	1
6	17-40104-07	Gasket, Unloader Valve	1
8	17-40104-20	Gasket, Screw (1/4)	3
22	17-40108-00	Strainer	1
23	17-10721-00	Capscrew, Socket 1/4-28 x 1.00" lg	3
24	NSS	Plate, Cover	1



# 05K

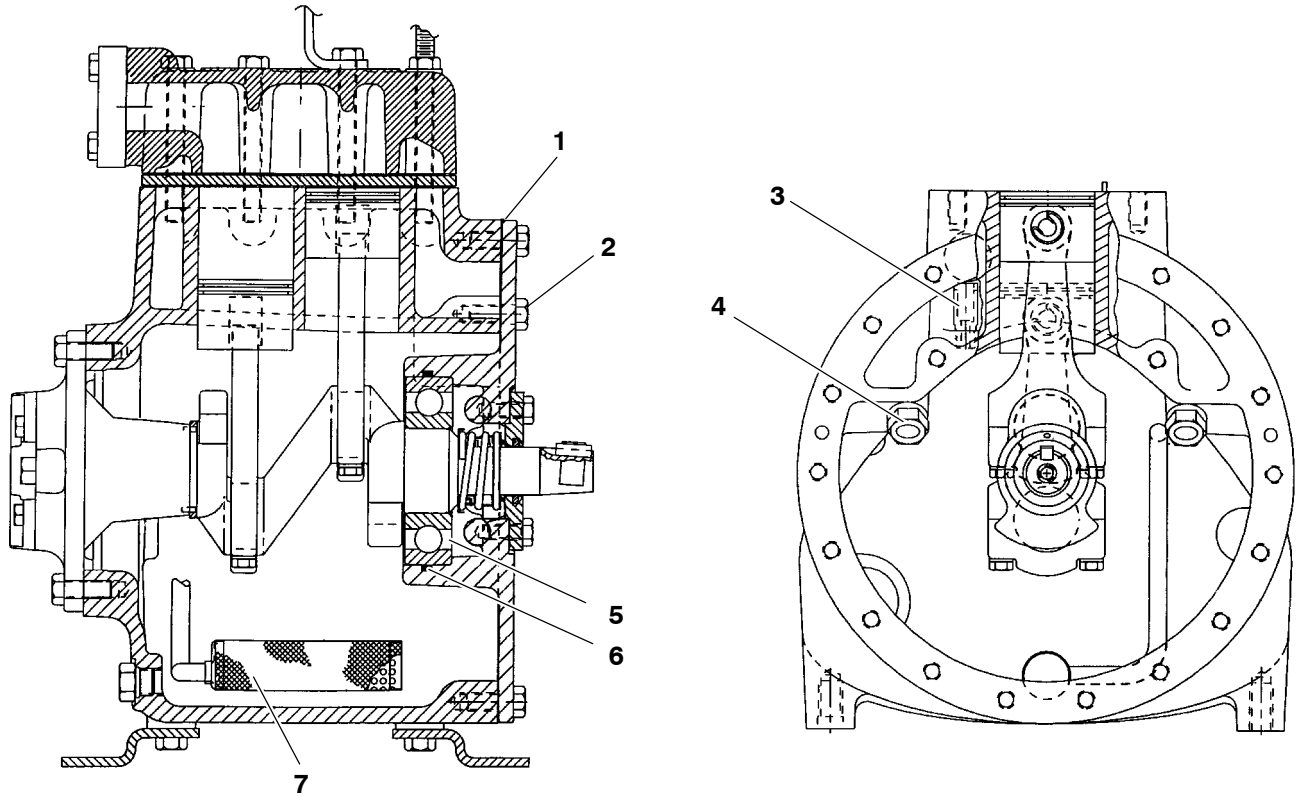
ITEM	PART NO.	DESCRIPTION	QTY
<b>11. CRANKSHAFT, ROD AND PISTON</b>			
Contoured Head Pistons are for Refrigeration use. Flat Top Pistons are for Air Conditioning use.			
1	17-44715-00	Piston & Pin ( <b>Standard – Flat Top</b> ) – Includes:	A/R
1	17-44715-02	Piston & Pin ( <b>.020 Over – Flat Top</b> ) – Includes:	A/R
*1A	17-44727-00	Piston & Pin ( <b>Standard–Contoured Head</b> ) – Includes:	A/R
*1A	17-44727-02	Piston & Pin ( <b>.020 Over–Contoured Head</b> ) – Includes:	A/R
2	17-44703-00	Retainer, Piston Pin	1
3	17-44702-00	Pin, Piston	1
4	NSS	Piston	1
5	17-40055-00	Ring, Compression ( <b>Standard</b> )	A/R
5	17-55025-00	Ring, Compression ( <b>.020" Oversize</b> )	A/R
6	17-44719-00	Key, Crankshaft	1
7	17-44704-00	Connecting Rod & Cap ( <b>2 Cylinder Standard</b> ) – Includes:	A/R
7	17-40056-02	Connecting Rod & Cap ( <b>4 Cylinder Standard</b> ) – Includes:	4
7	17-55023-00	Connecting Rod & Cap ( <b>4 Cylinder .010</b> ) – Includes:	A/R
NS	17-40057-00	Pin, Dowel	2
8	17-55008-00	Capscrew (Special)	2
9	17-44728-01	Crankshaft ( <b>2 Cylinder – Vane Pump</b> )	1
9	17-44724-00	Crankshaft ( <b>2 Cylinder – Gear &amp; Low Profile Pumps</b> )	1
9	17-44729-10	Crankshaft ( <b>4 Cylinder – Vane Pump</b> )	1
9	17-44725-00	Crankshaft ( <b>4 Cylinder – Gear &amp; Low Profile Pumps</b> )	1
10	17-55009-01	Thrustwasher, Pump End	1

\* For Refrigeration Use Only

# 05K

ITEM	PART NO.	DESCRIPTION	QTY
------	----------	-------------	-----

## 12. CRANKCASE



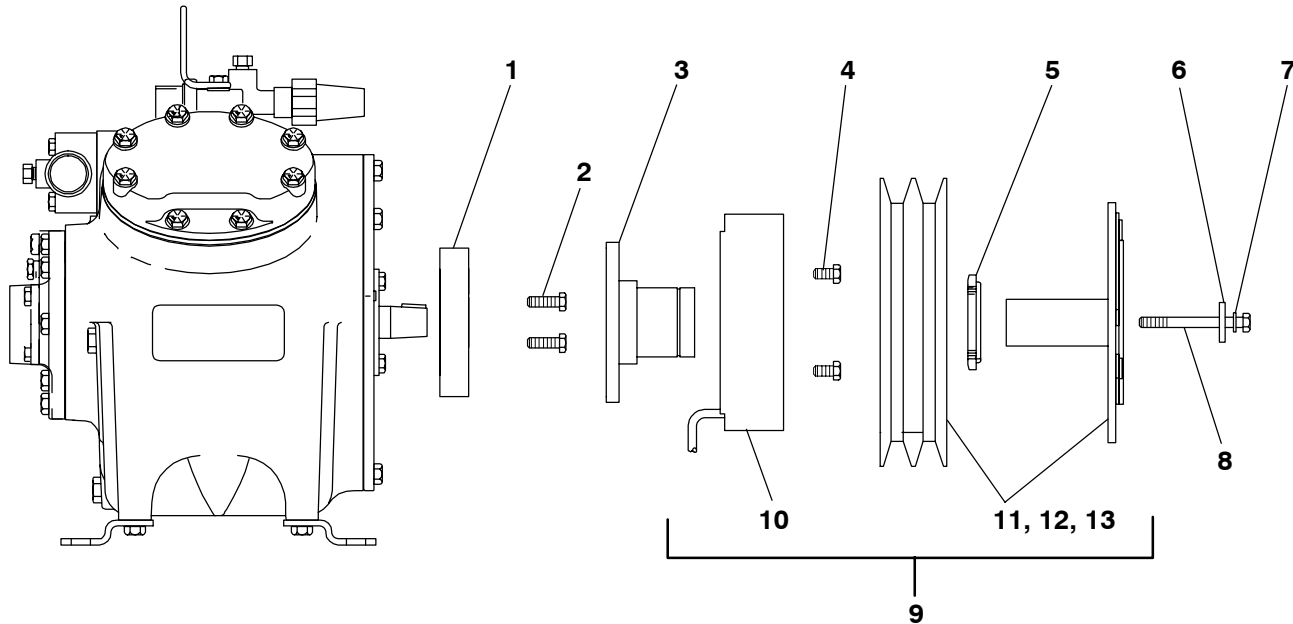
### 2 CYLINDER SHOWN

1	17-44023-00	Gasket, Front Cover <b>2 Cylinder</b>	1
1	17-44024-00	Gasket, Front Cover <b>4 Cylinder</b>	1
2	17-40034-05	Capscrew, Hex Head, 3/8-16 x 1" lg	24
3	17-44723-00	Valve, Oil Relief	1
4	17-40042-00	Valve, Oil Return	2
5	17-44722-00	Bearing, Main Seal End	1
6	17-44712-00	O-Ring	1
7	17-44717-00	Screen, Oil Filter <b>2 Cylinder</b>	1
7	17-44718-00	Screen, Oil Filter <b>4 Cylinder</b>	1

# 05K

ITEM	PART NO.	DESCRIPTION	QTY
------	----------	-------------	-----

## 13. CLUTCH ASSEMBLY (BUS & RAIL)



1	68PD1-1003	Adapter	1
2	34-00615-08	Capscrew, Hex Head 5/16-18 X 1" lg	4
3	68PD1-1013	Hub, Clutch Mounting	1
4	PL	Capscrew, Hex Head 5/16-18 X 5/8" lg	6
5	34-06083-00	Nut, Lock	1
6	68G2-9082-1	Washer, Special	1
7	PL	Washer, Lock	1
8	PL	Capscrew, Hex Head 5/16-18 X 3 1/4 lg	1
9	50-01122-13	Clutch, Assembly <b>24 vdc, 2B Grooves</b> – Includes:	1
9	50-01122-15	Clutch, Assembly <b>12 vdc, 2B Grooves</b> – Includes:	1
9	50-01122-21	Clutch, Assembly <b>24 vdc, 2B-2A Grooves</b> – Includes:	1
9	50-01122-23	Clutch, Assembly <b>24 vdc, 2AB-2B Grooves</b> – Includes:	1
10	50-01122-41	Coil, <b>12 vdc</b>	1
10	50-01122-50	Coil, <b>24 vdc</b>	1
11	50-01122-92	Rotor, <b>2B Grooves</b> – Includes:	1
11	50-01122-99	Rotor, <b>2B-2A Grooves</b> – Includes:	1
11	50-01122-500	Rotor, <b>2AB-2B Grooves</b> – Includes:	1
12	34-01186-00	Ring, Snap	1
13	04-00130-00	Bearing	1
} <b>WARNER</b>			
9	50-01130-27	Clutch, Assembly <b>24 vdc, 2B-2A Grooves</b> – Includes:	1
10	50-50040-00	Coil, <b>24 vdc</b>	1
12	50-50040-05	Ring, Snap	1
13	50-50040-04	Bearing	1
} <b>LINNIG</b>			

## 14. PRESSURE SWITCHES (BUS & RAIL)

NS	12-00299-00	Switch, High Pressure – <b>R-22</b>	1
NS	12-00299-07	Switch, High Pressure – <b>R-134a</b>	1
NS	12-00299-01	Switch, Low Pressure – <b>R-22 &amp; R-134a</b>	1
NS	12-00334-01	Switch, Pressure (Unloader Sw. #1) – <b>R-22</b>	1
NS	12-00334-03	Switch, Pressure (Unloader Sw. #1) – <b>R-134a</b>	1