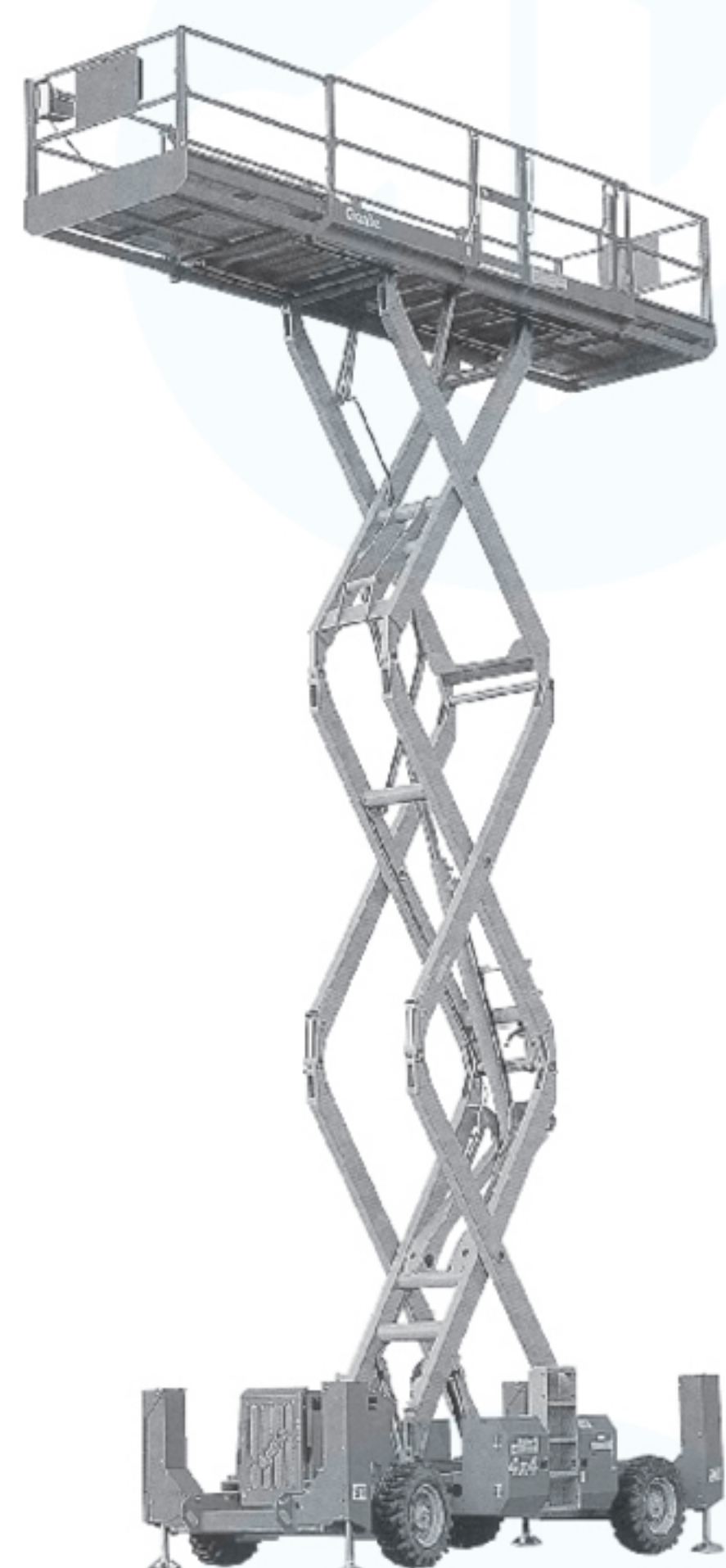
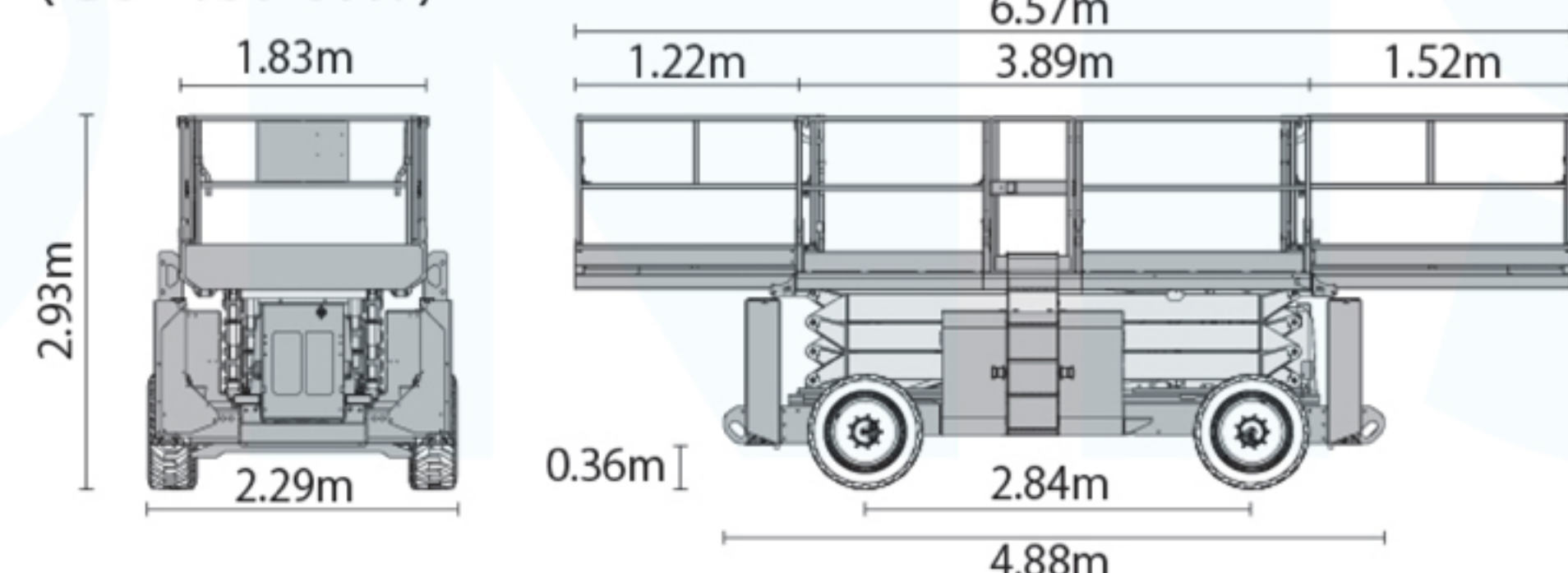


# Scissors Lift Telehandler · Boom Lift (Track)

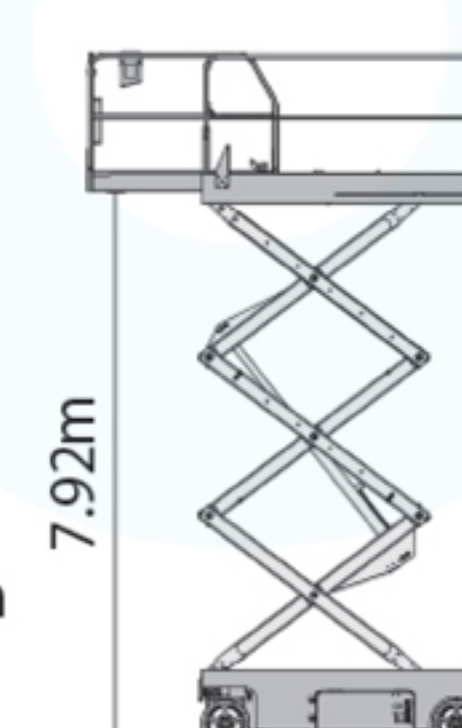
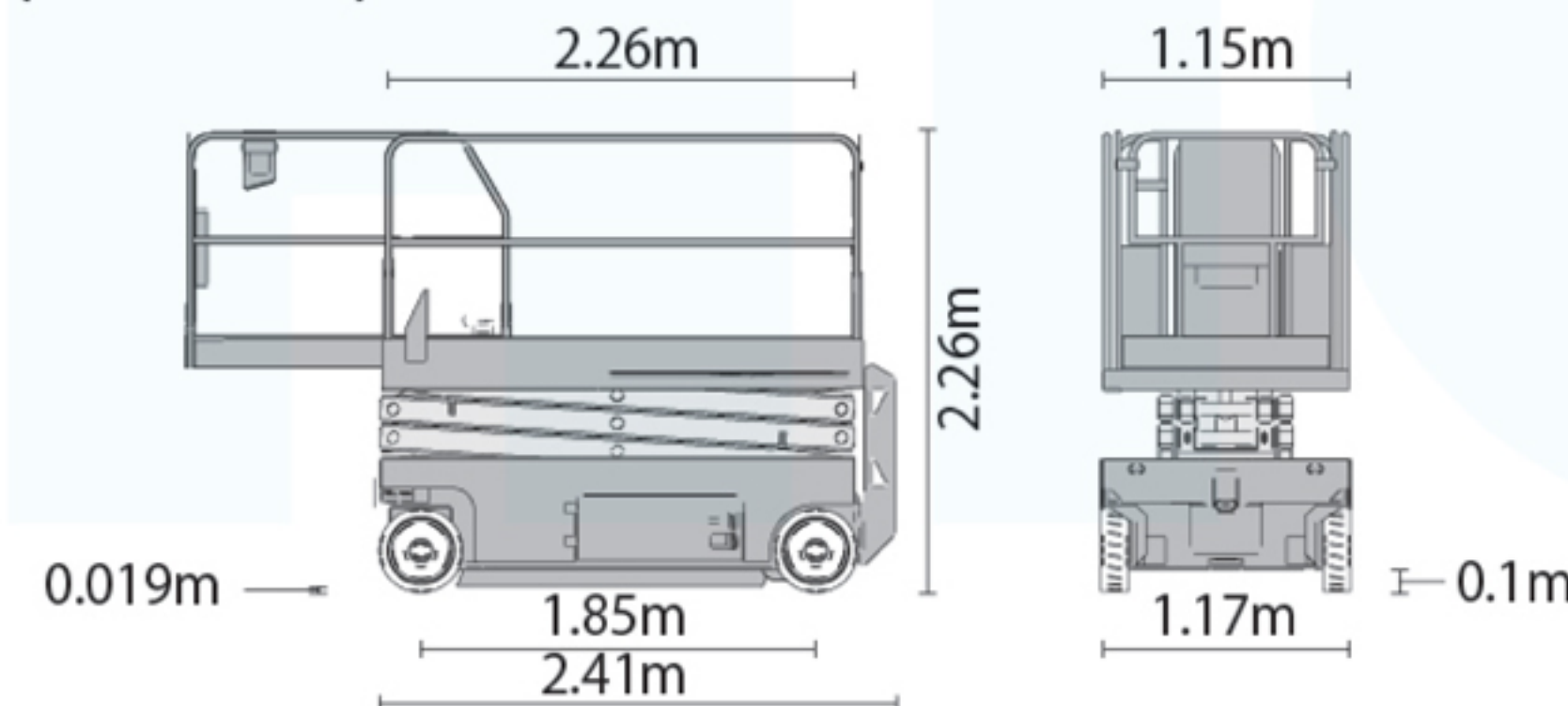
## Scissors Lift (Engine / Electric)



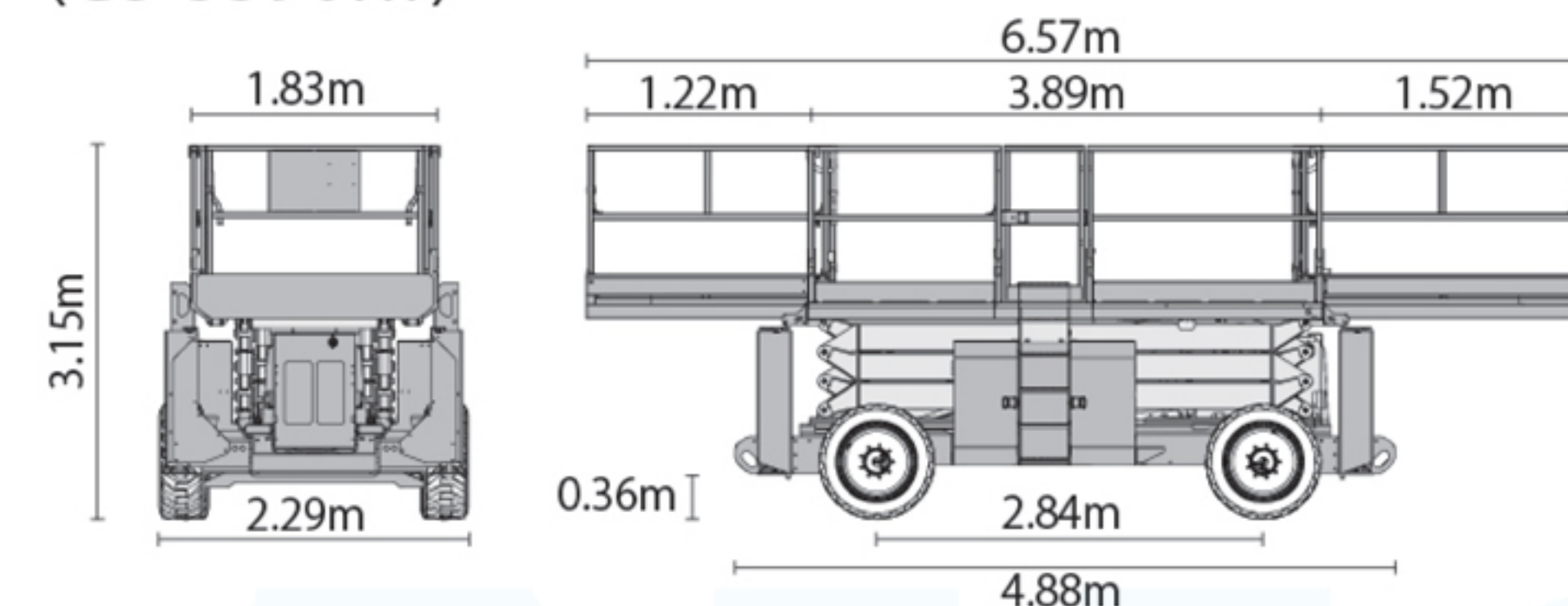
〈GS-4390RT〉



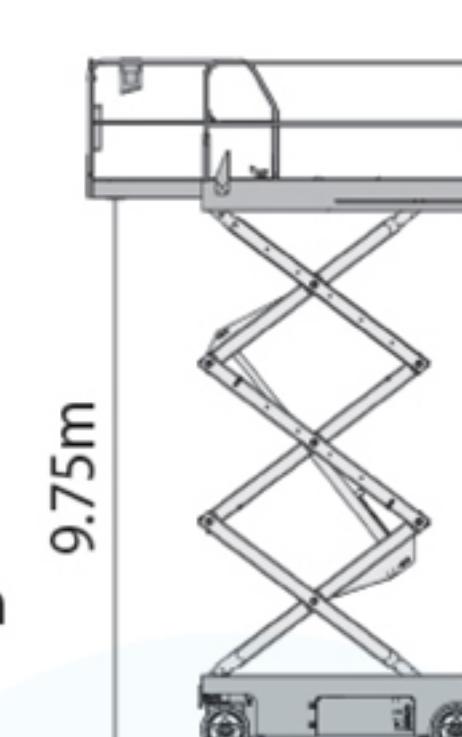
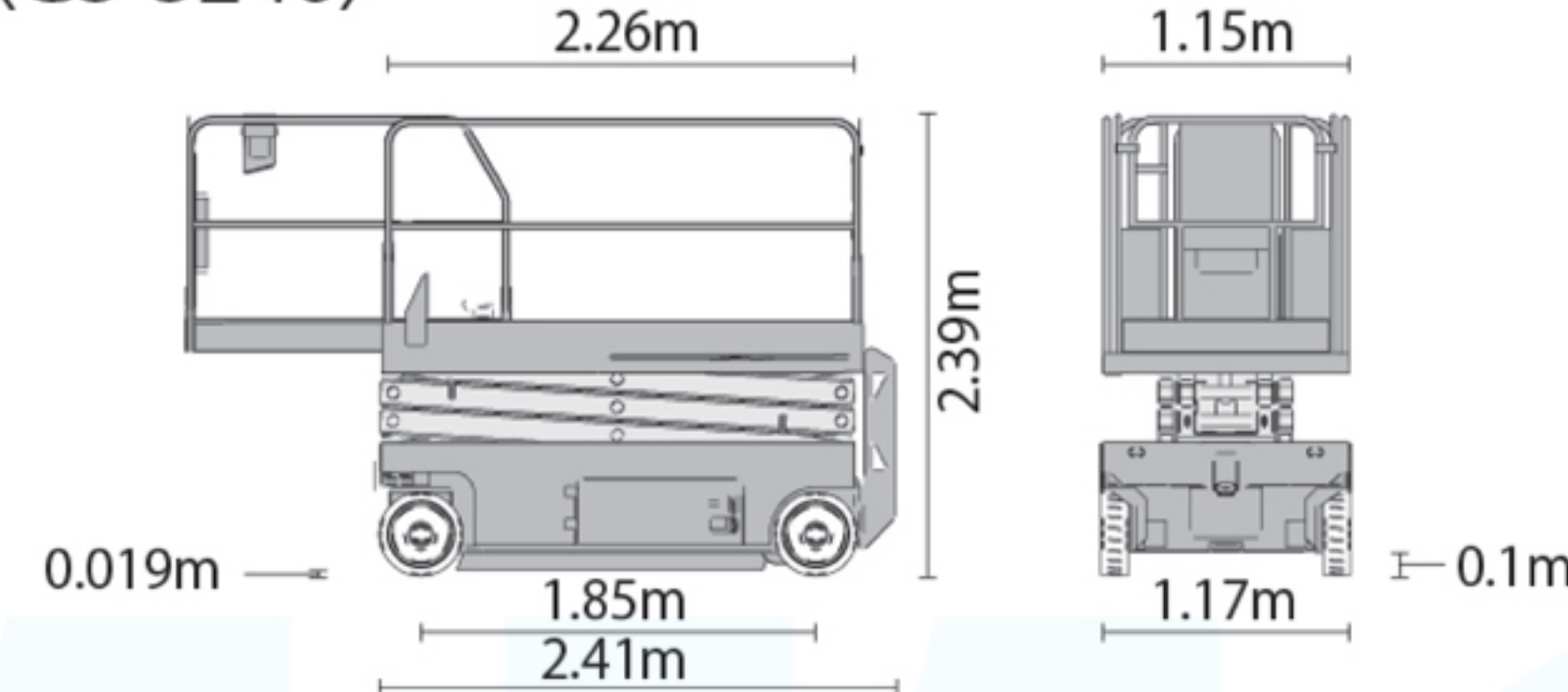
〈GS-2646〉



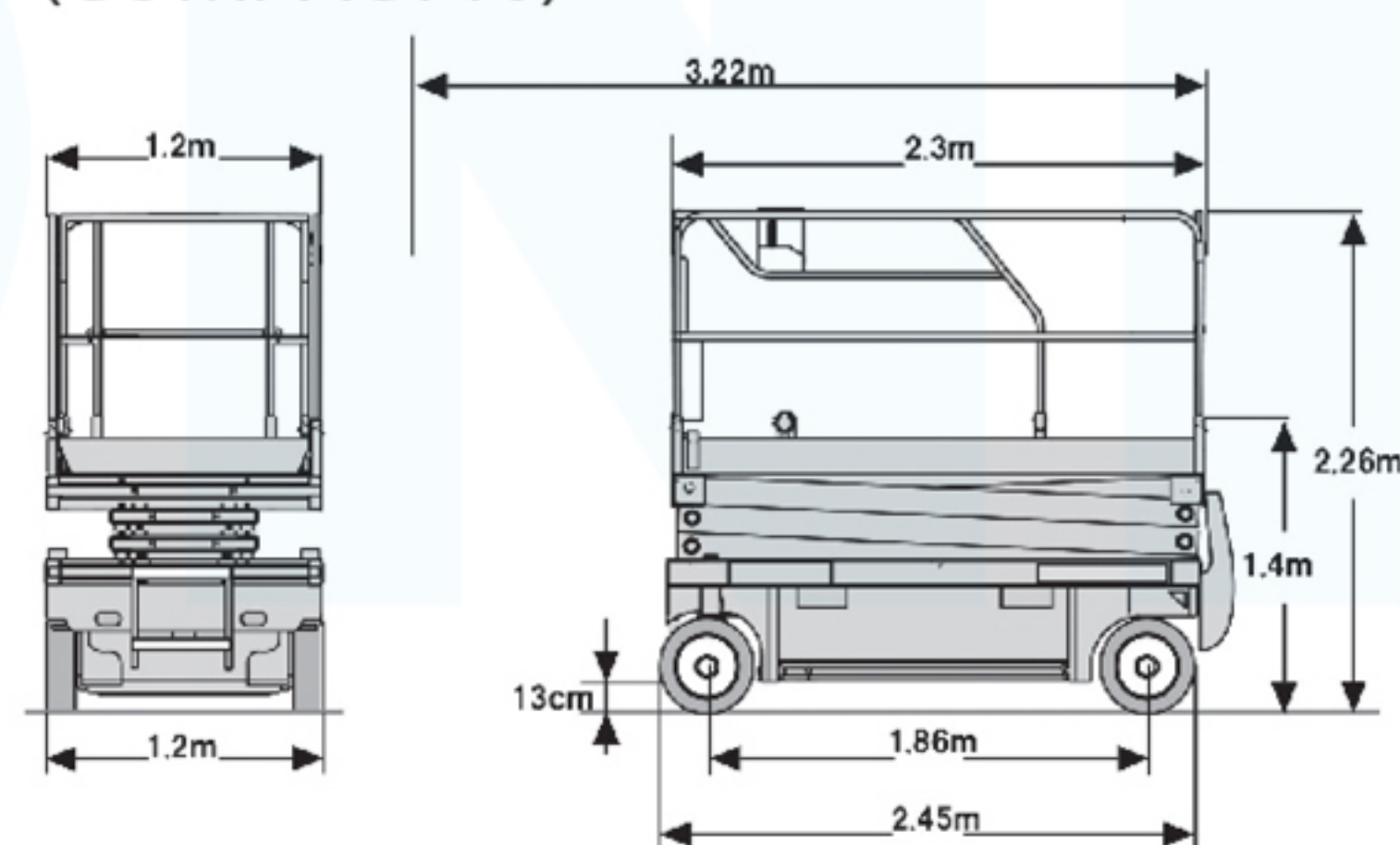
〈GS-5390RT〉



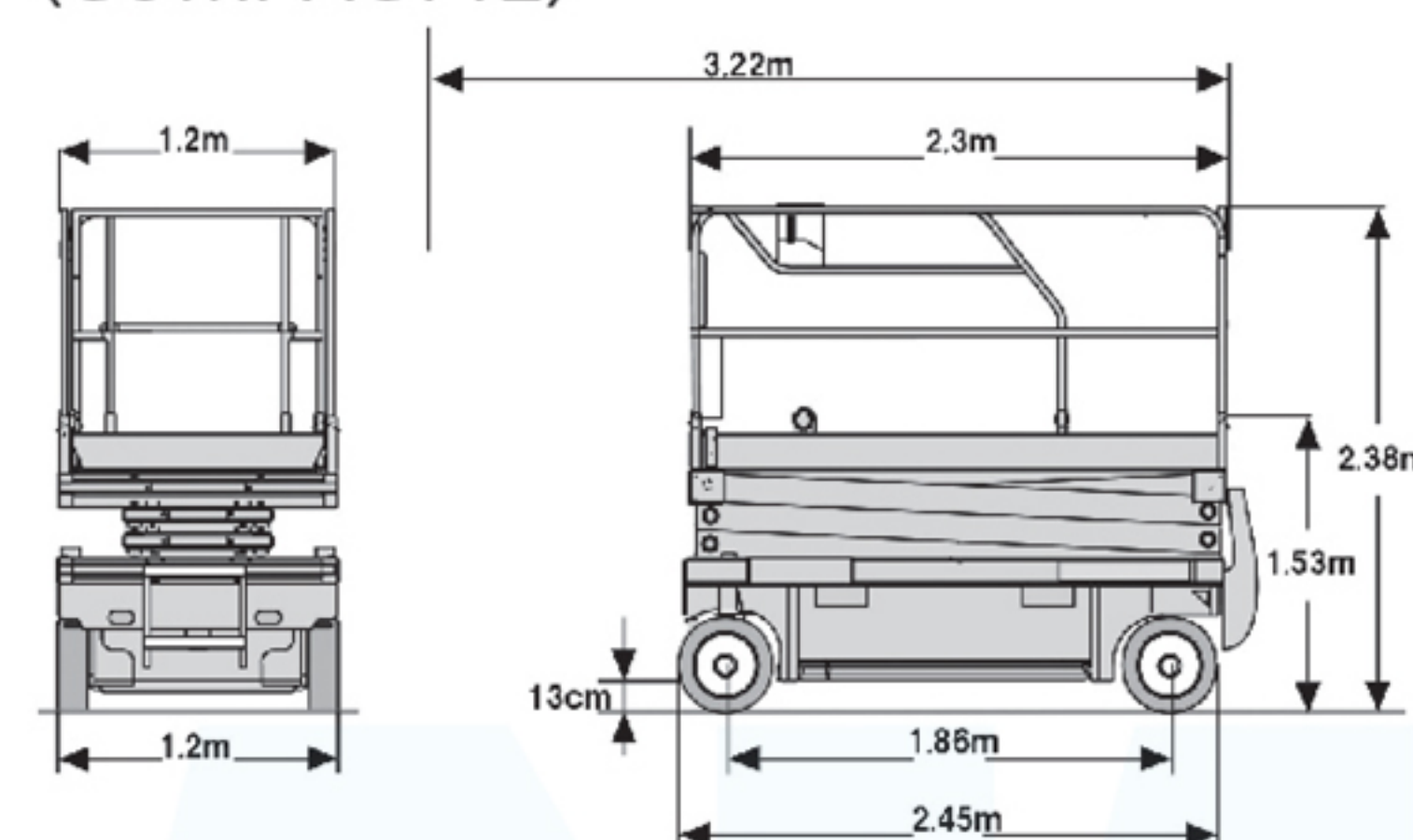
〈GS-3246〉



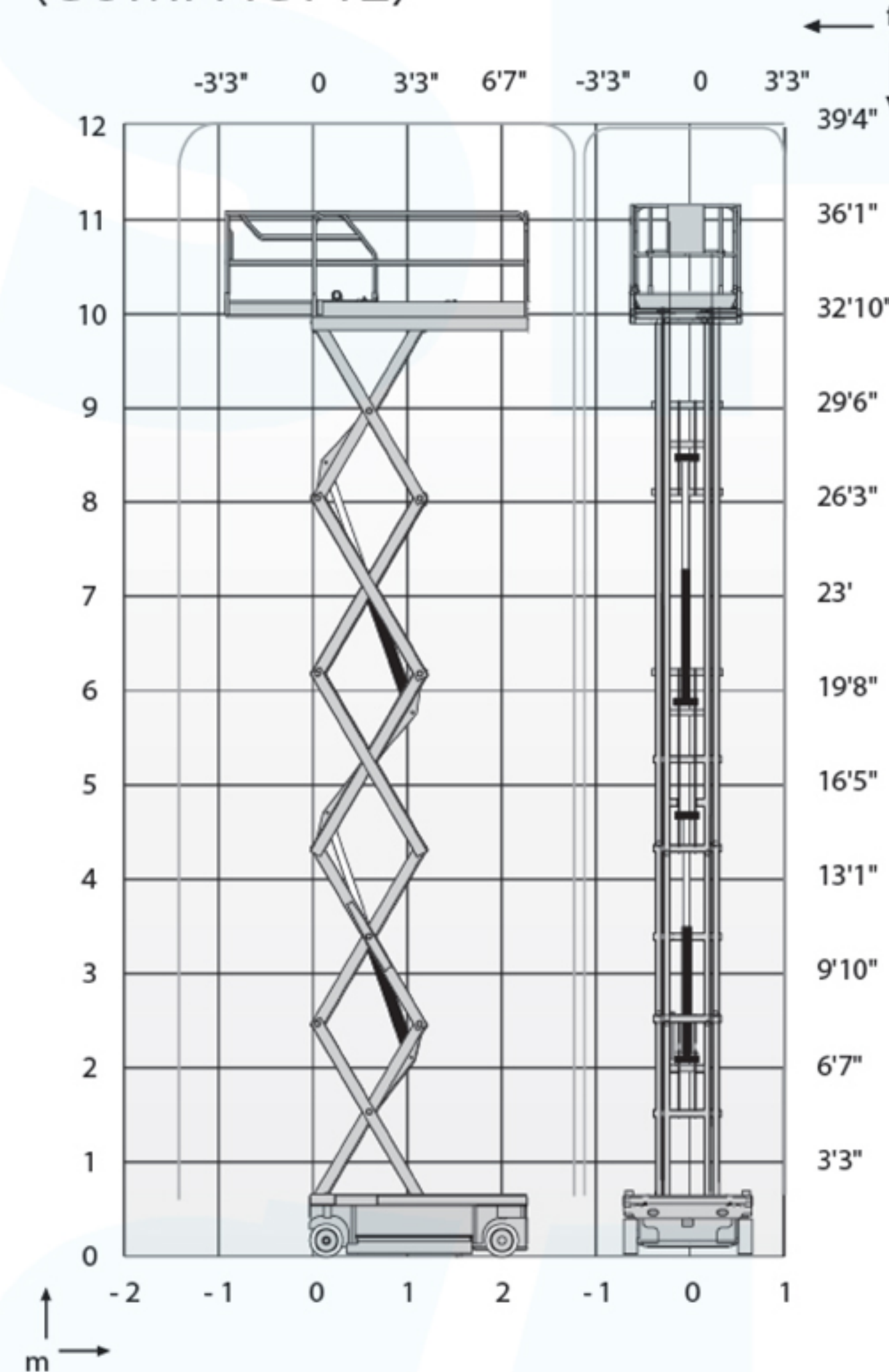
〈COMPACT10〉



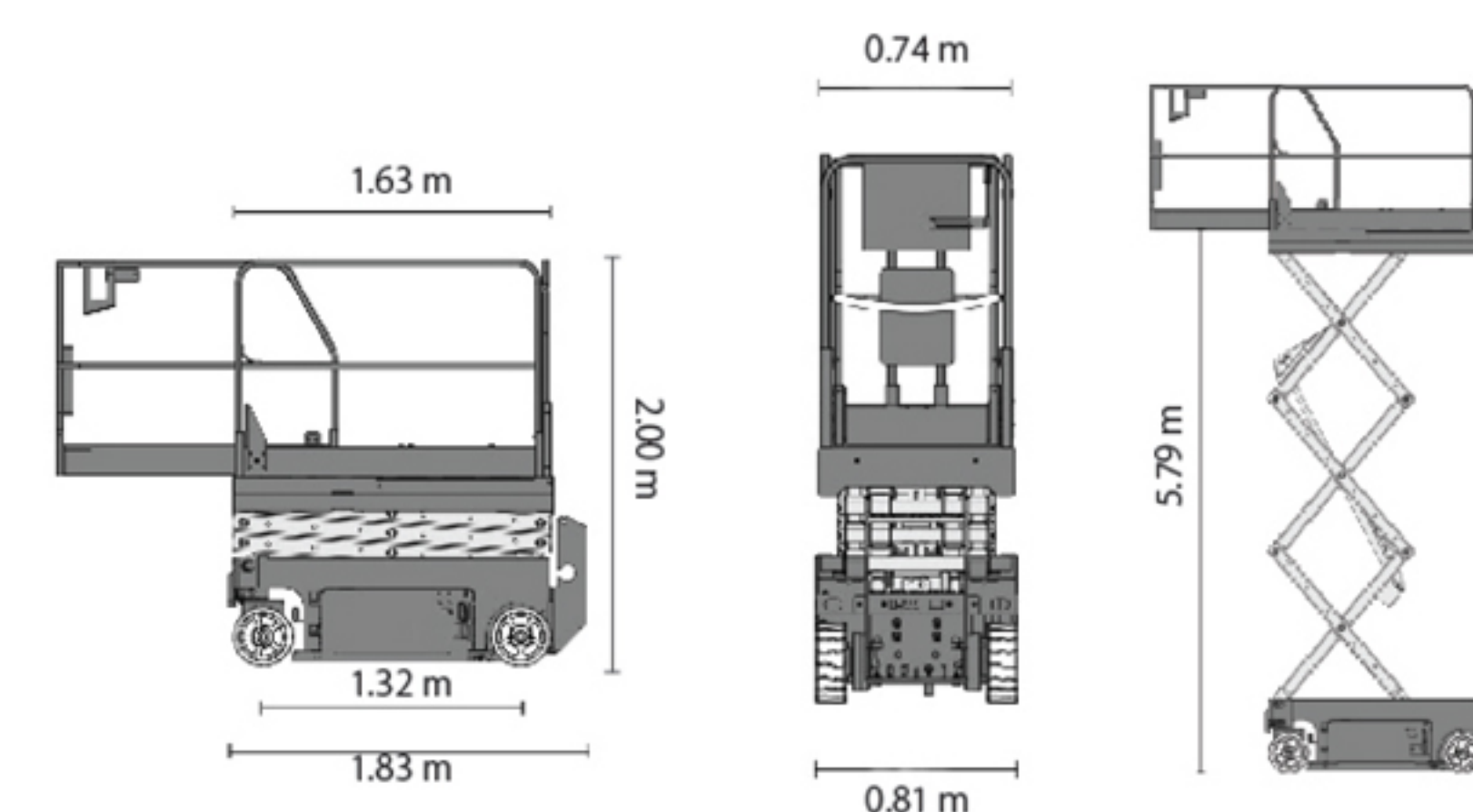
〈COMPACT12〉



〈COMPACT12〉



〈GS-1930 / GS-1932〉



### Specifications

Model	GS-1930	GS-1932	Optium8	Compact10N	GS-2646	GS-3246	Compact10	Compact12
Max. working height (m)	7.79	7.79	7.77	10	9.92	11.75	10.15	12
Max. height of platform (m)	5.79	5.79	5.77	8	7.92	9.75	8.15	10
Safe working load (kg)	227	227	230	230	454	318	450	300
Weight (kg)	1,226	1,500	1,590	2,190	2,054	2,327	2,330	2,470
Power source	24V DC	24V (for 6 V 225 Ah battery)	24V-225Ah	24V-225Ah	Battery			

### Specifications

Model	GS-4046 (E Drive)	Compact14	GS-4069	GS-4655 (E Drive)	GS-4390RT	GS-5390RT
Max. working height (m)	13.94 (in door)	13.85	14.19	15.95 (in door)	15.11	18.15
Max. height of platform (m)	11.94 (in door)	11.85	12.19	13.95 (in door)	13.11	16.15
Safe working load (kg)	350	350	362	350	680	680
Weight (kg)	3,117	3,175	4,790	3,701	5,936	7,537
Power source	12V-210 Ah	24V-330 Ah	Battery	24V-330 Ah	Diesel Engine	Diesel Engine