

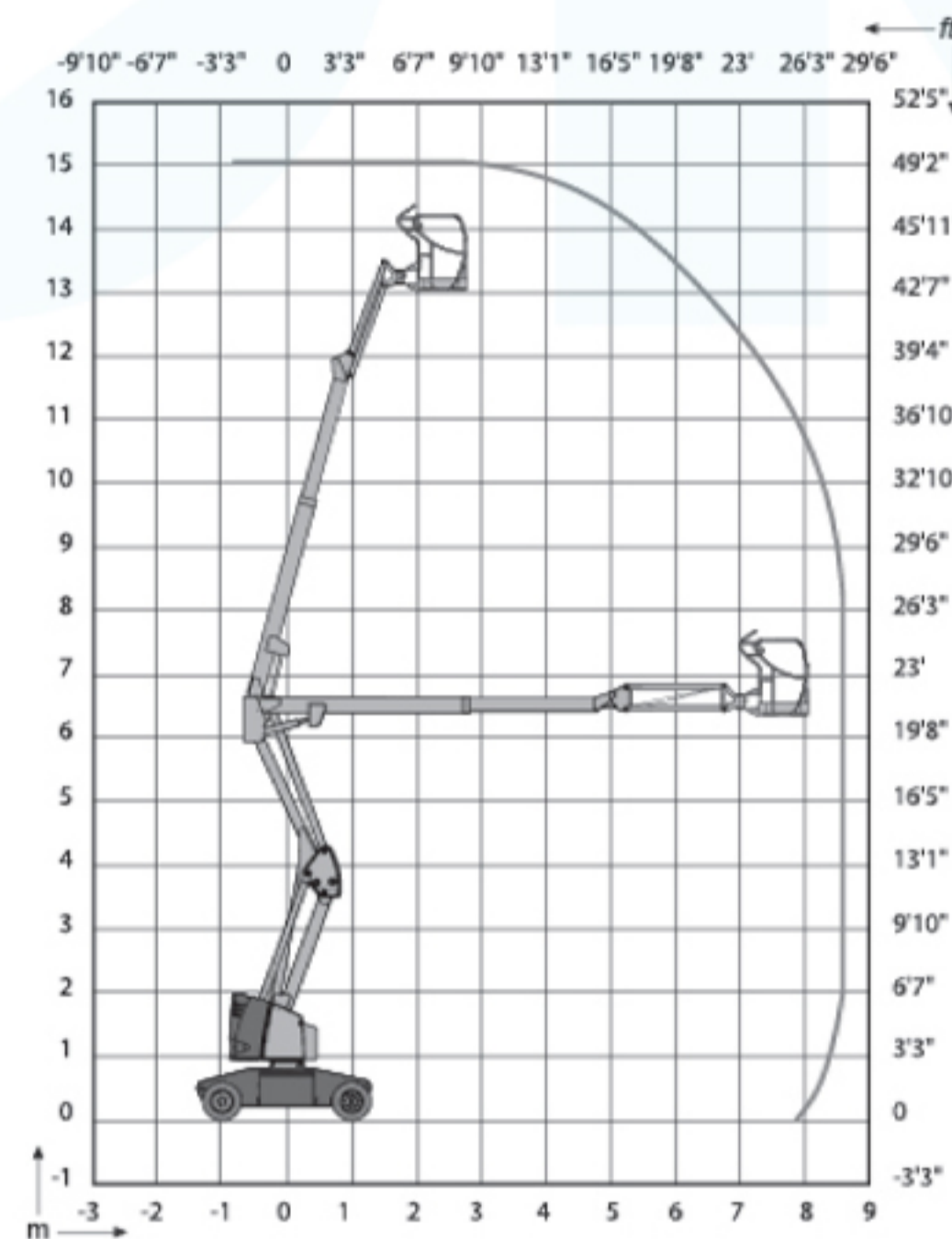
# Articulate Boomlift



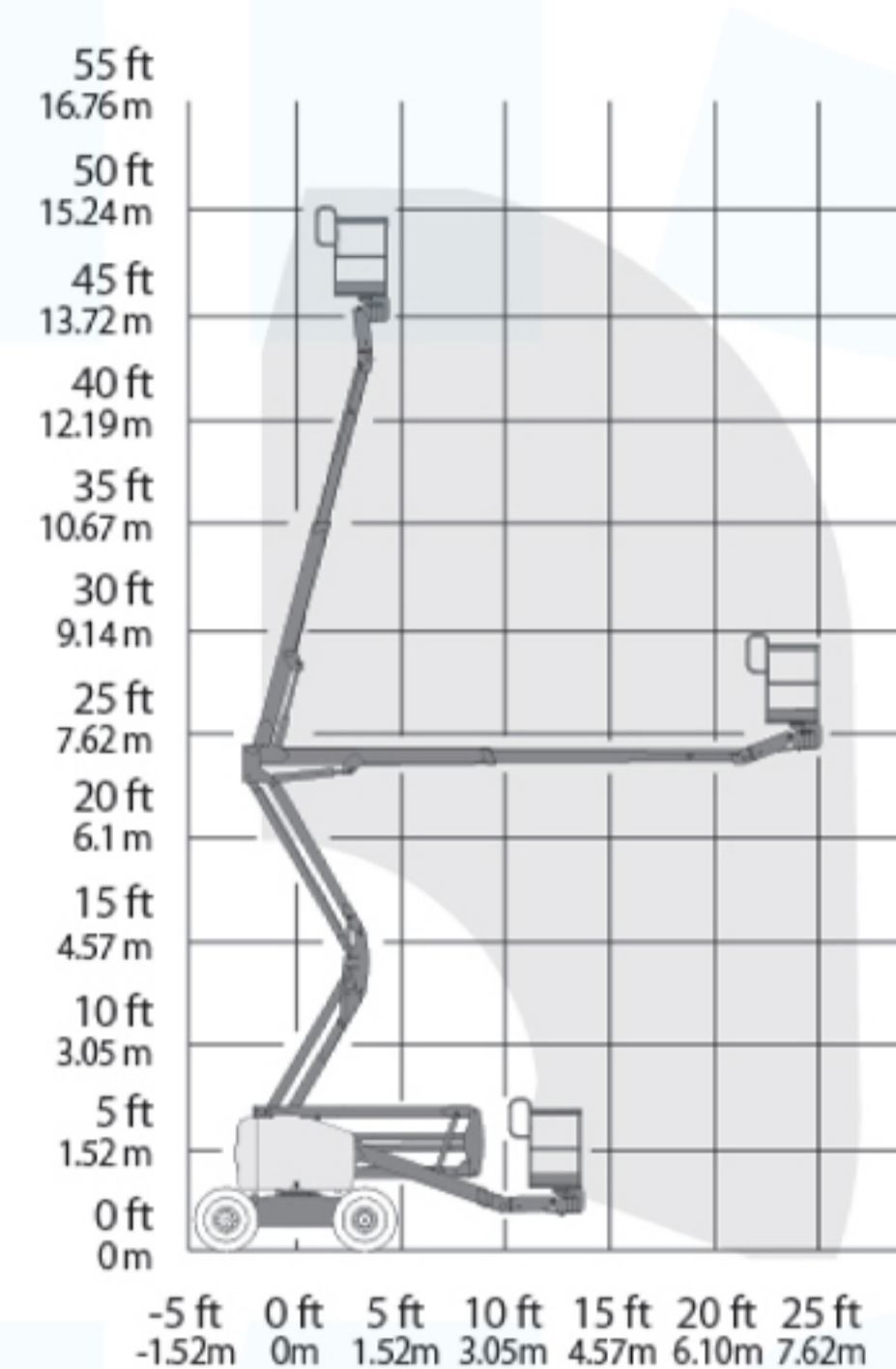
## Articulate Boomlift

### Working Range Diagram

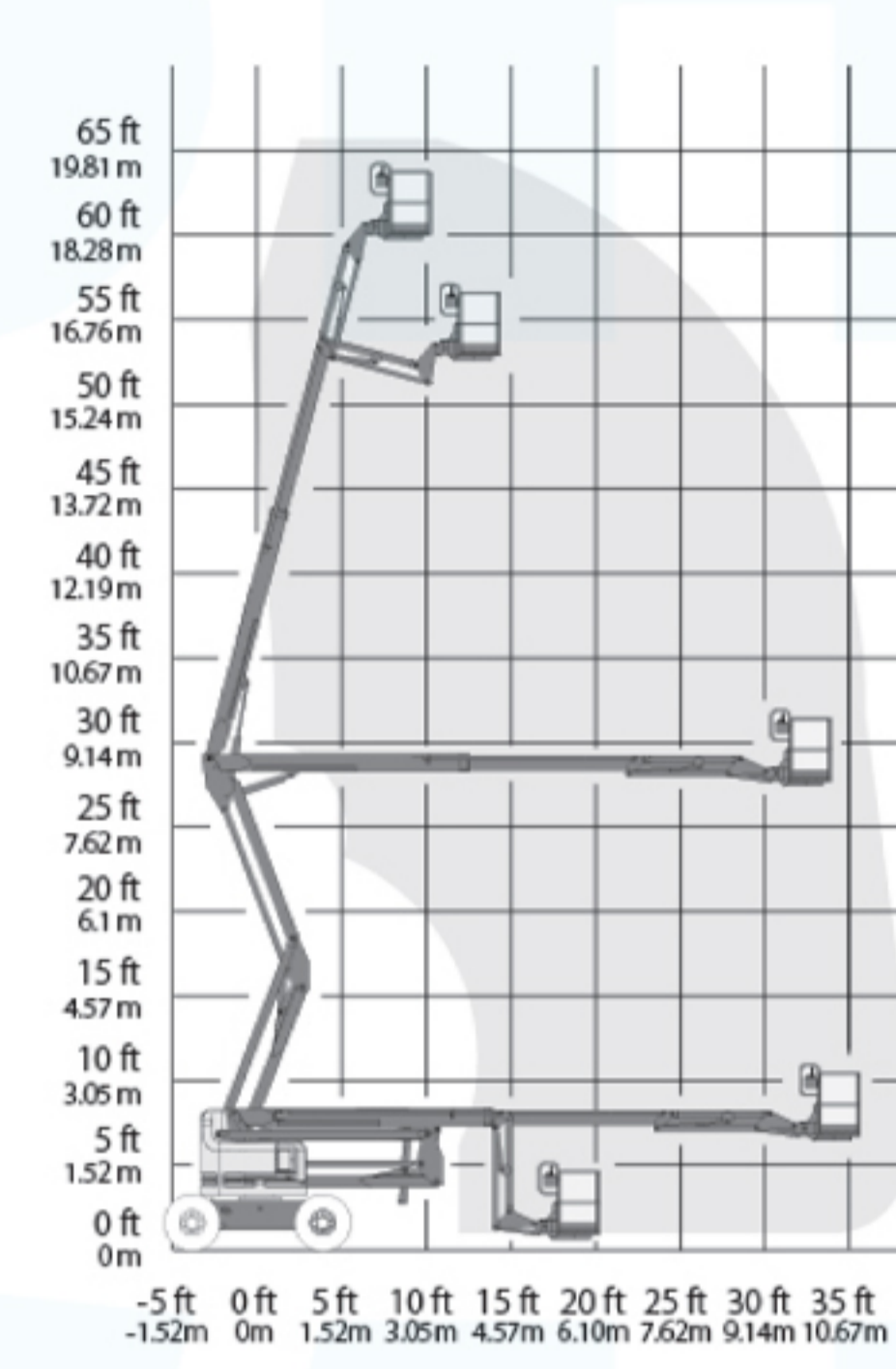
●HA15IP



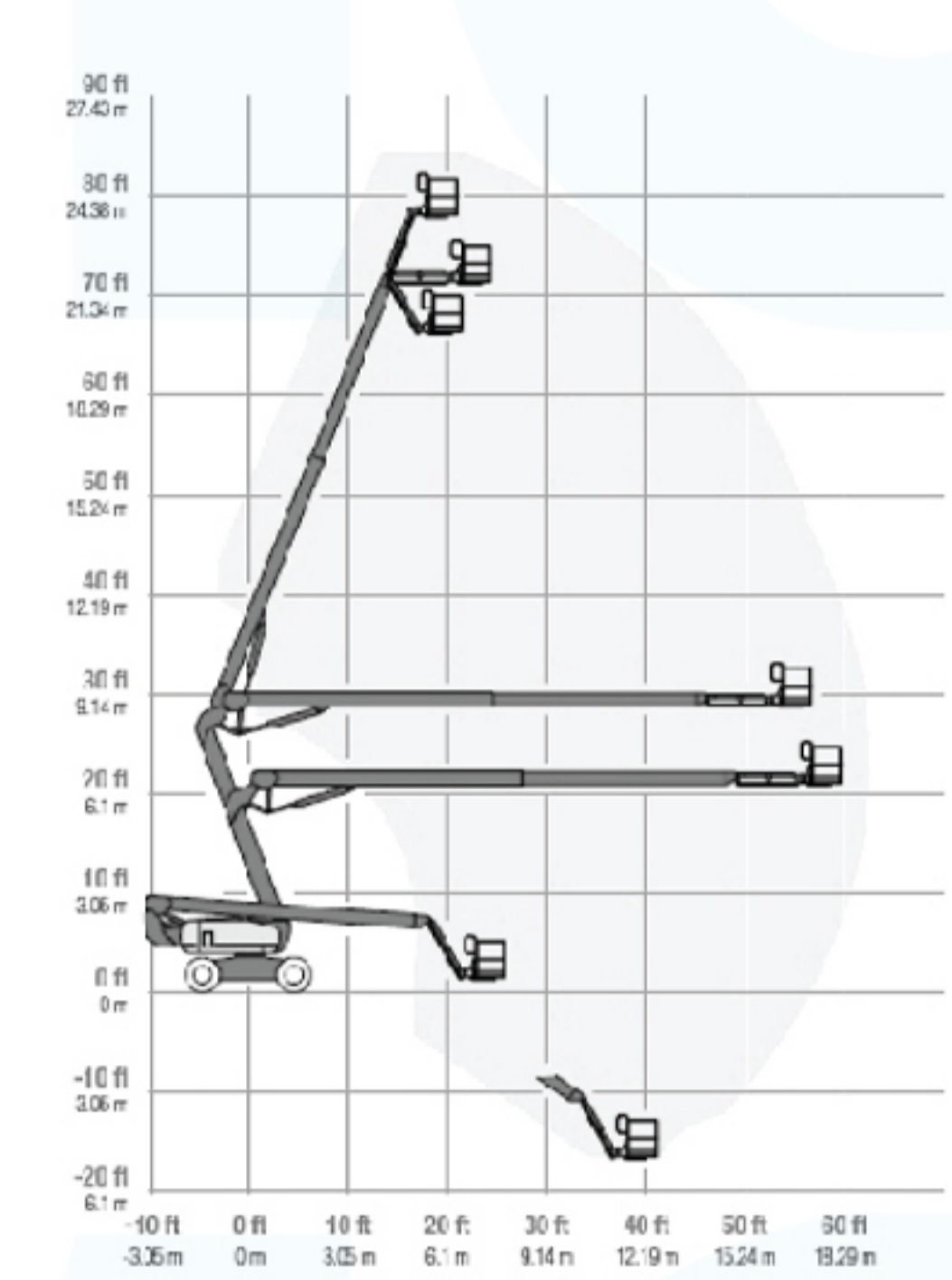
●Z45



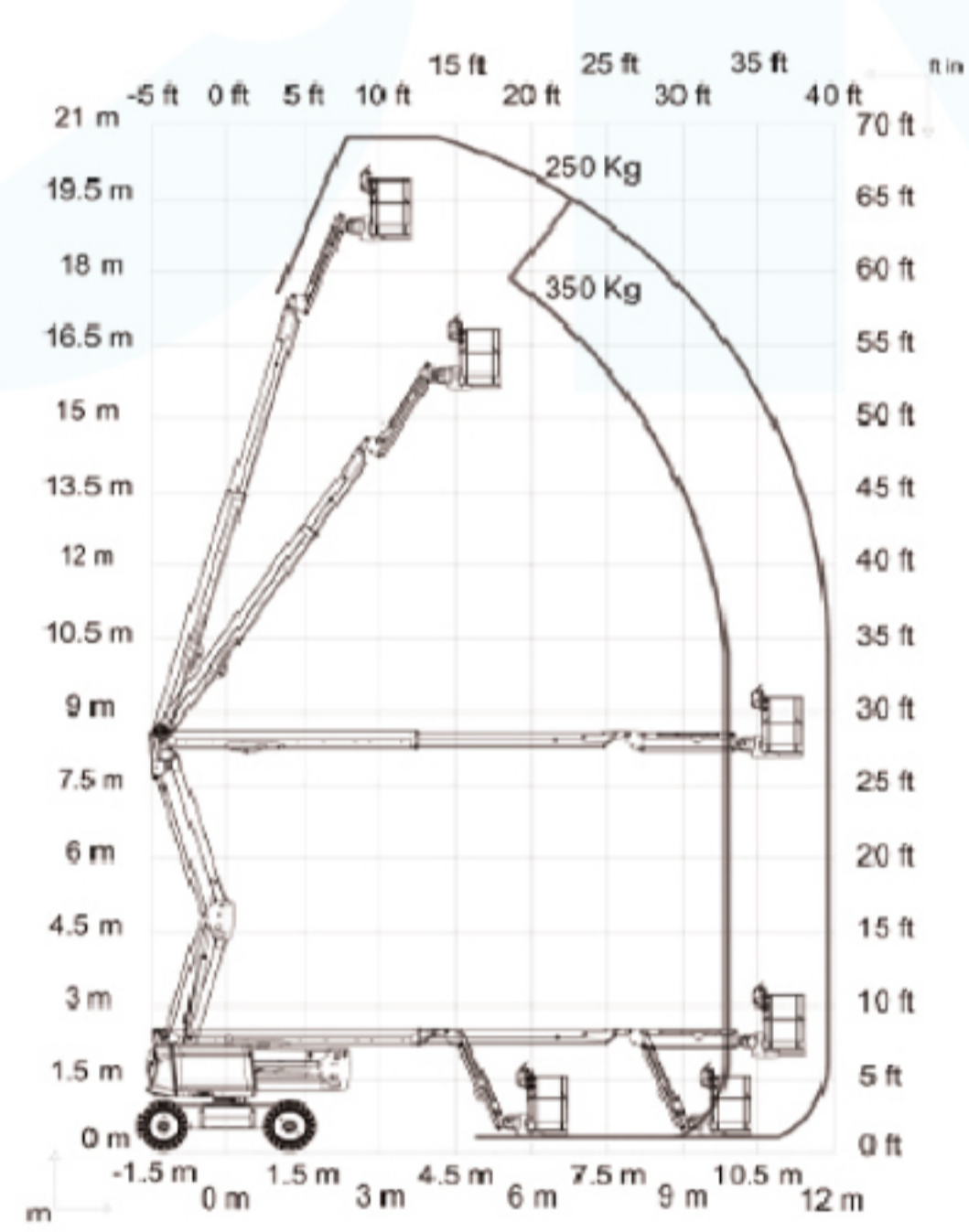
●Z60



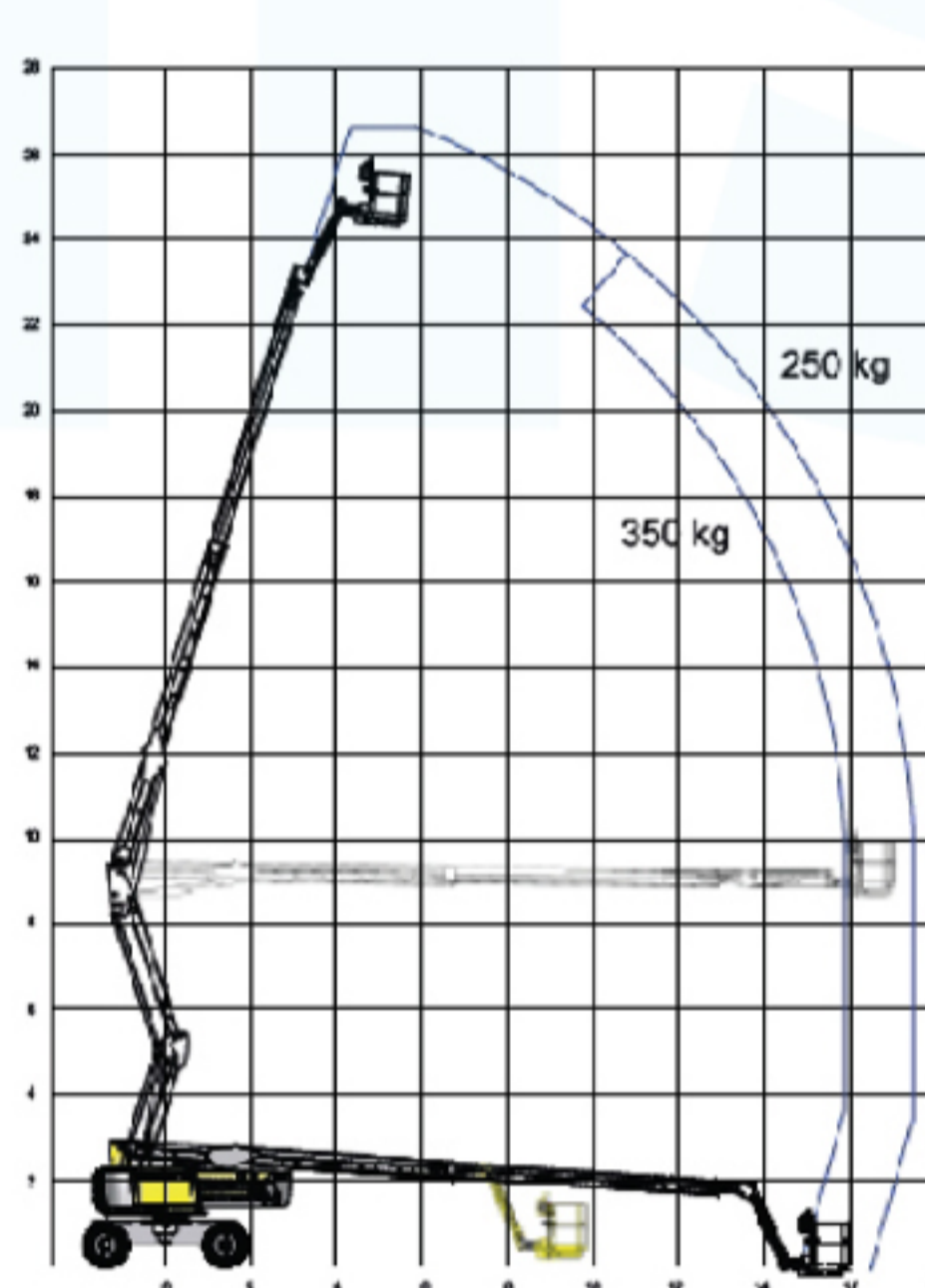
●Z80



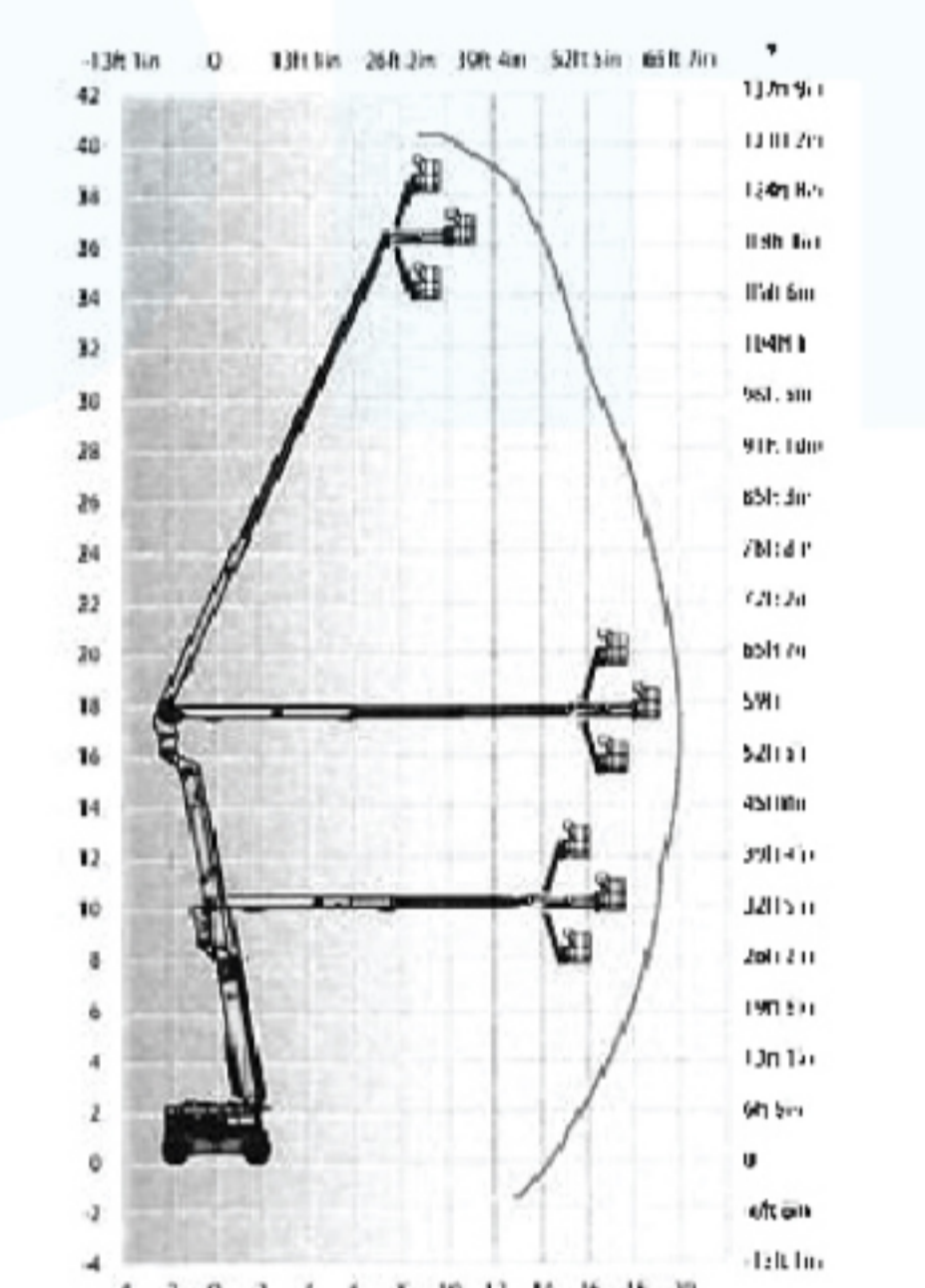
●HA20LEPRO



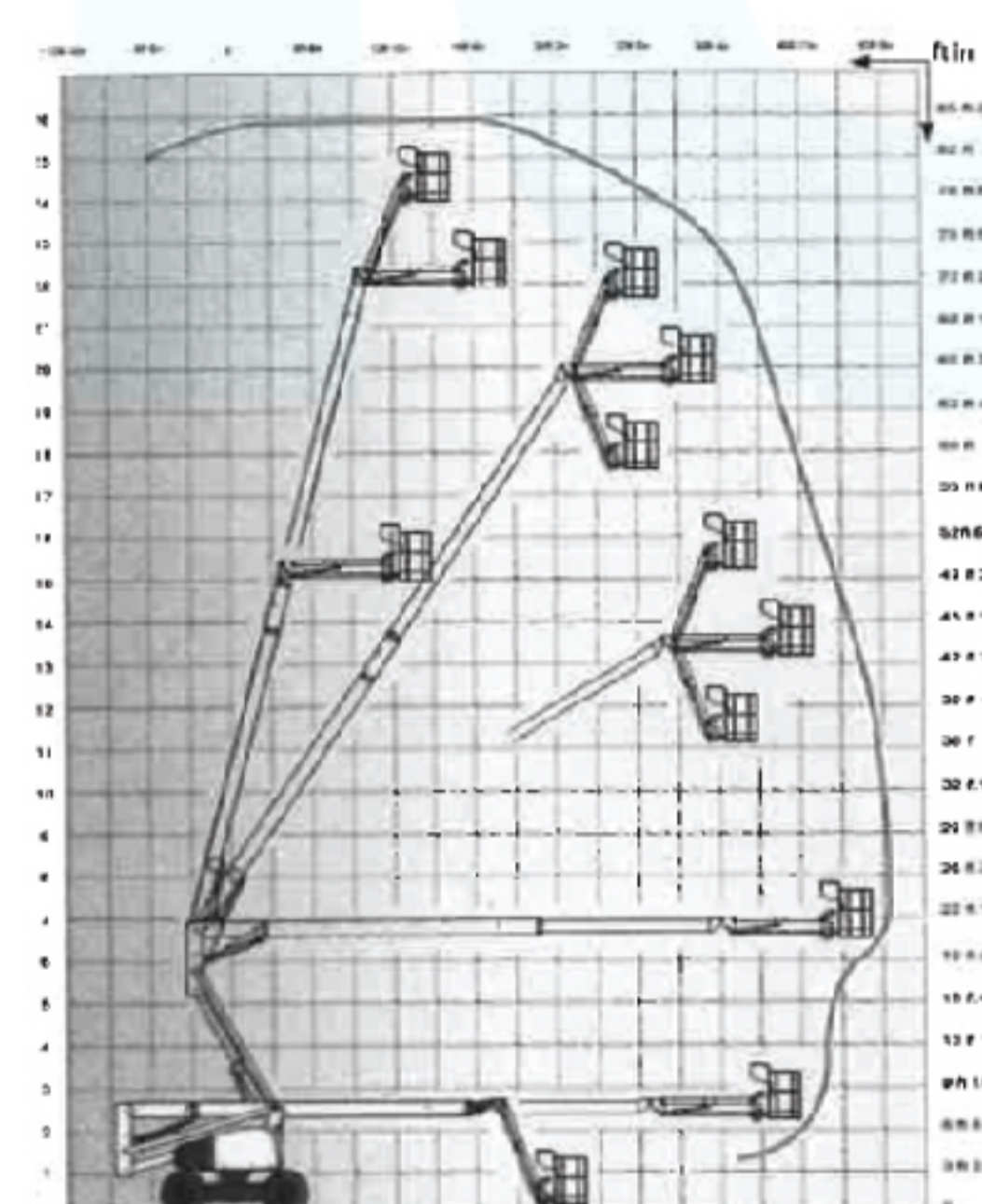
●HA26RTJO



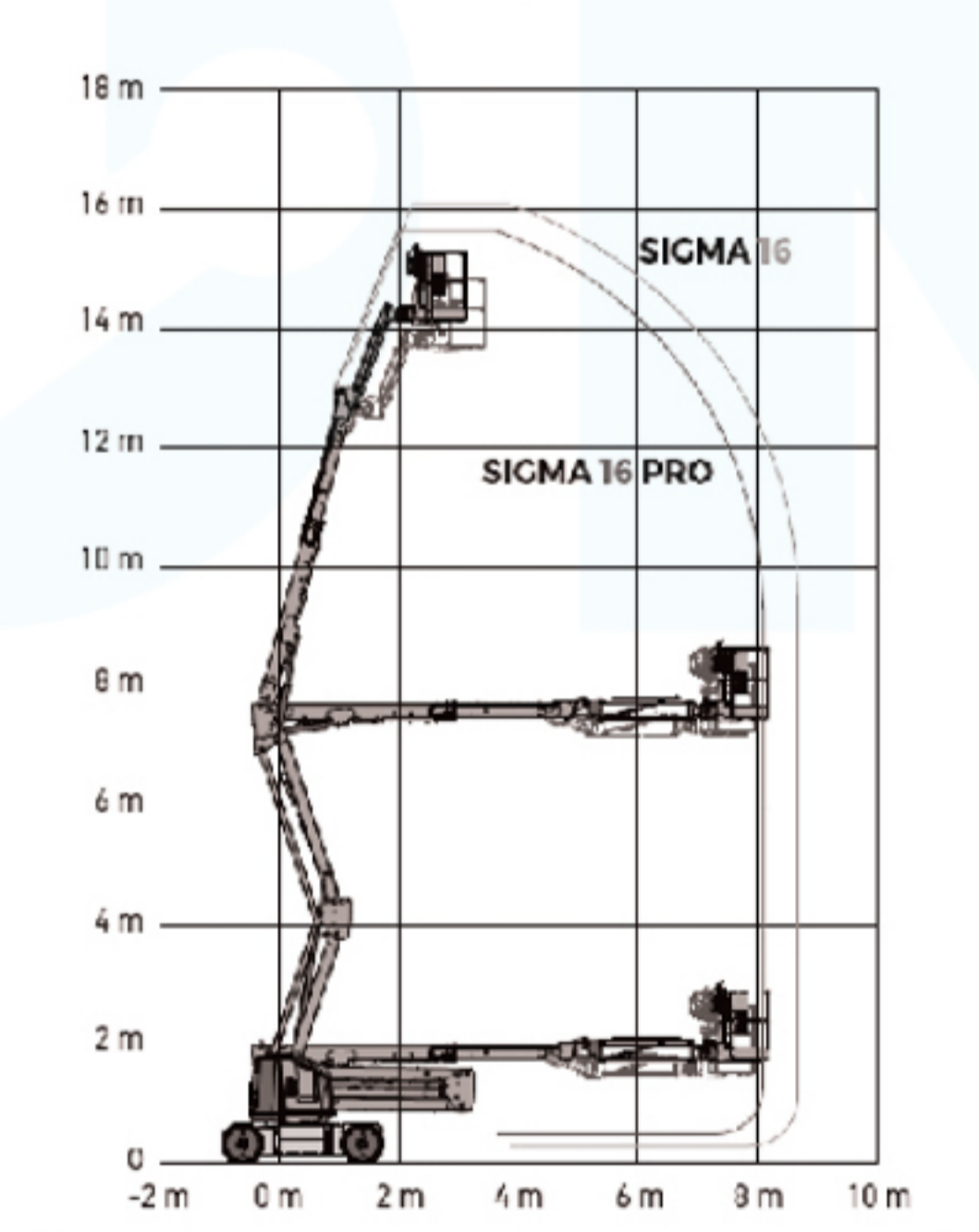
●HA41



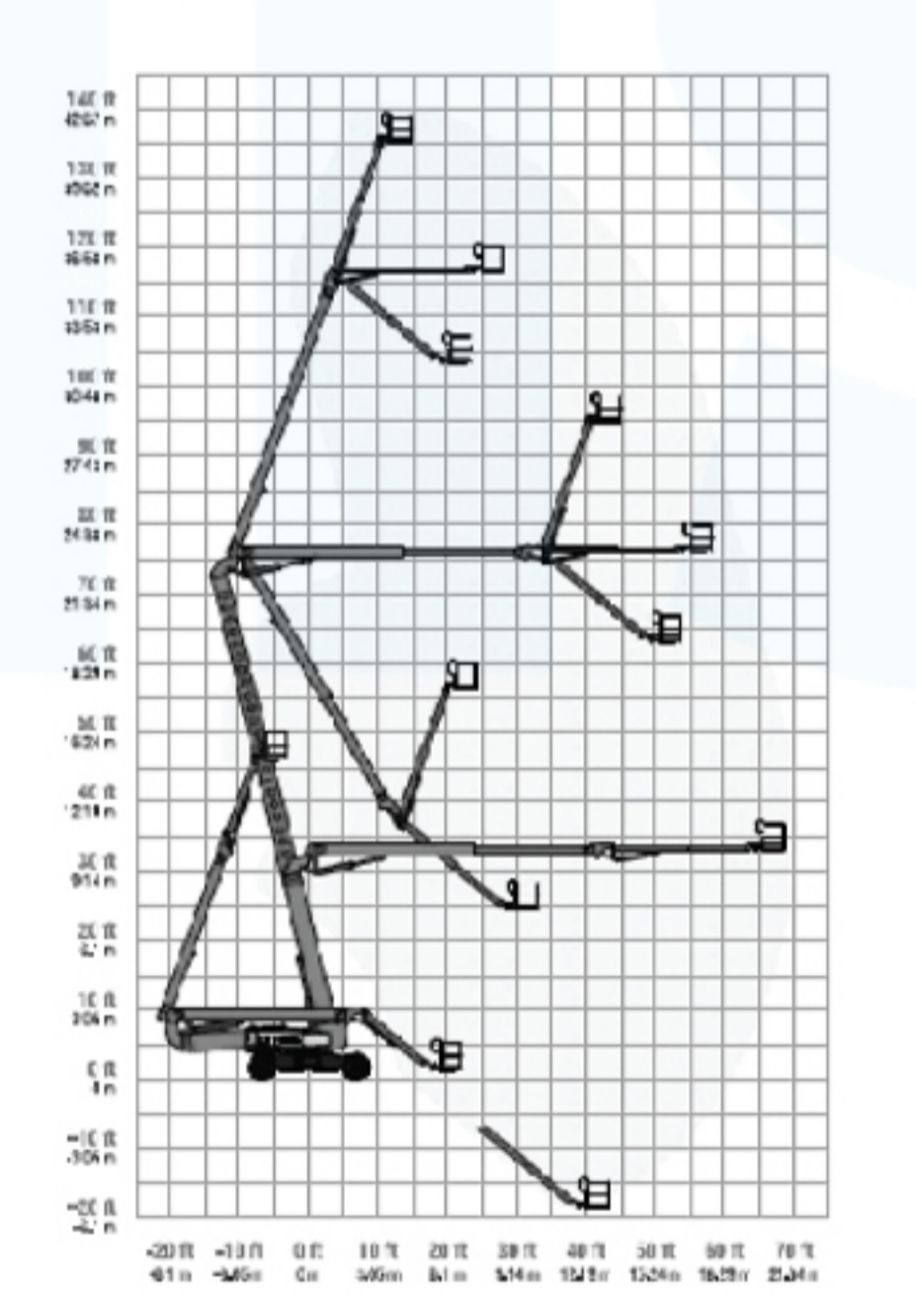
●HA260PX



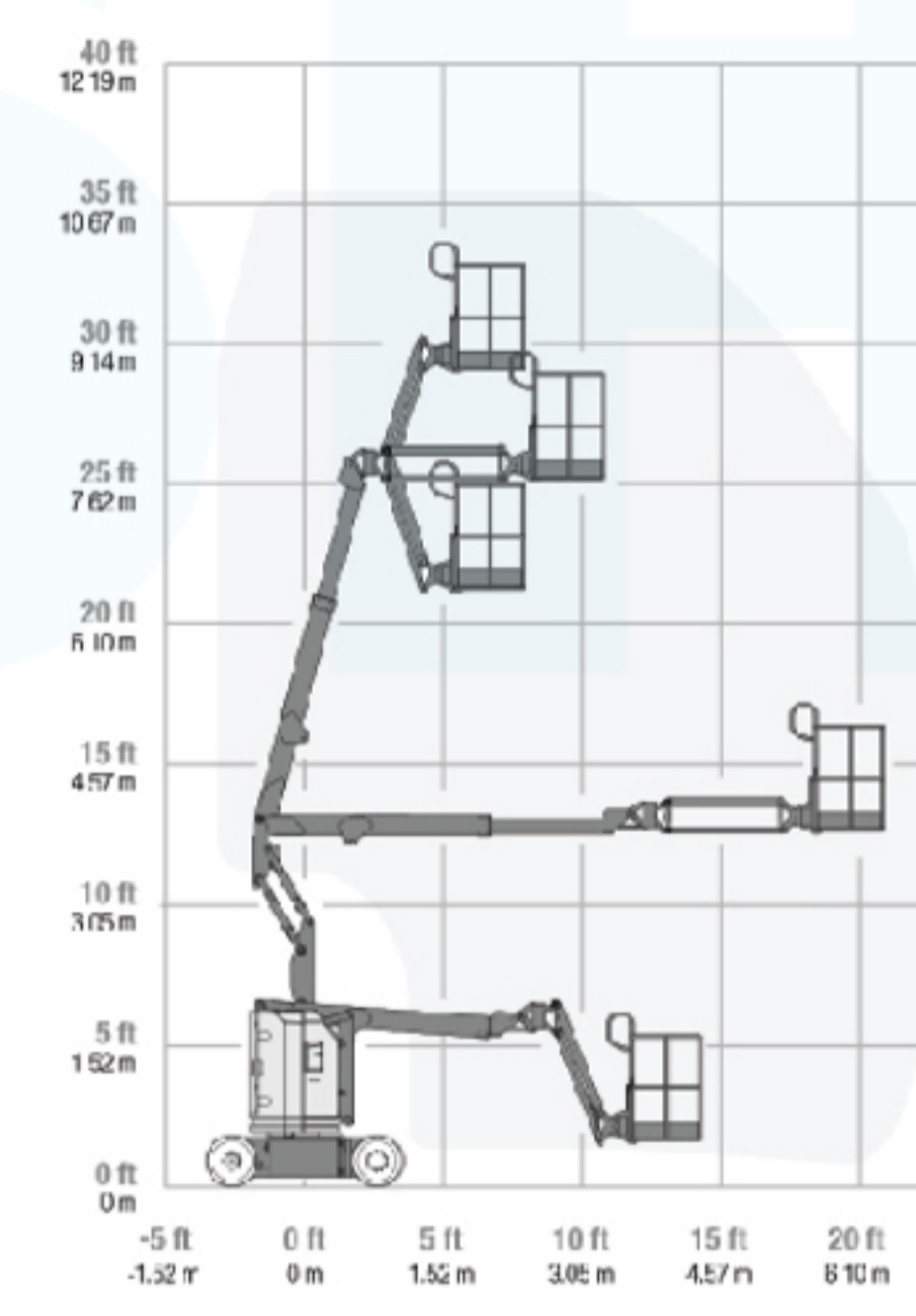
●SIGMA16PRO



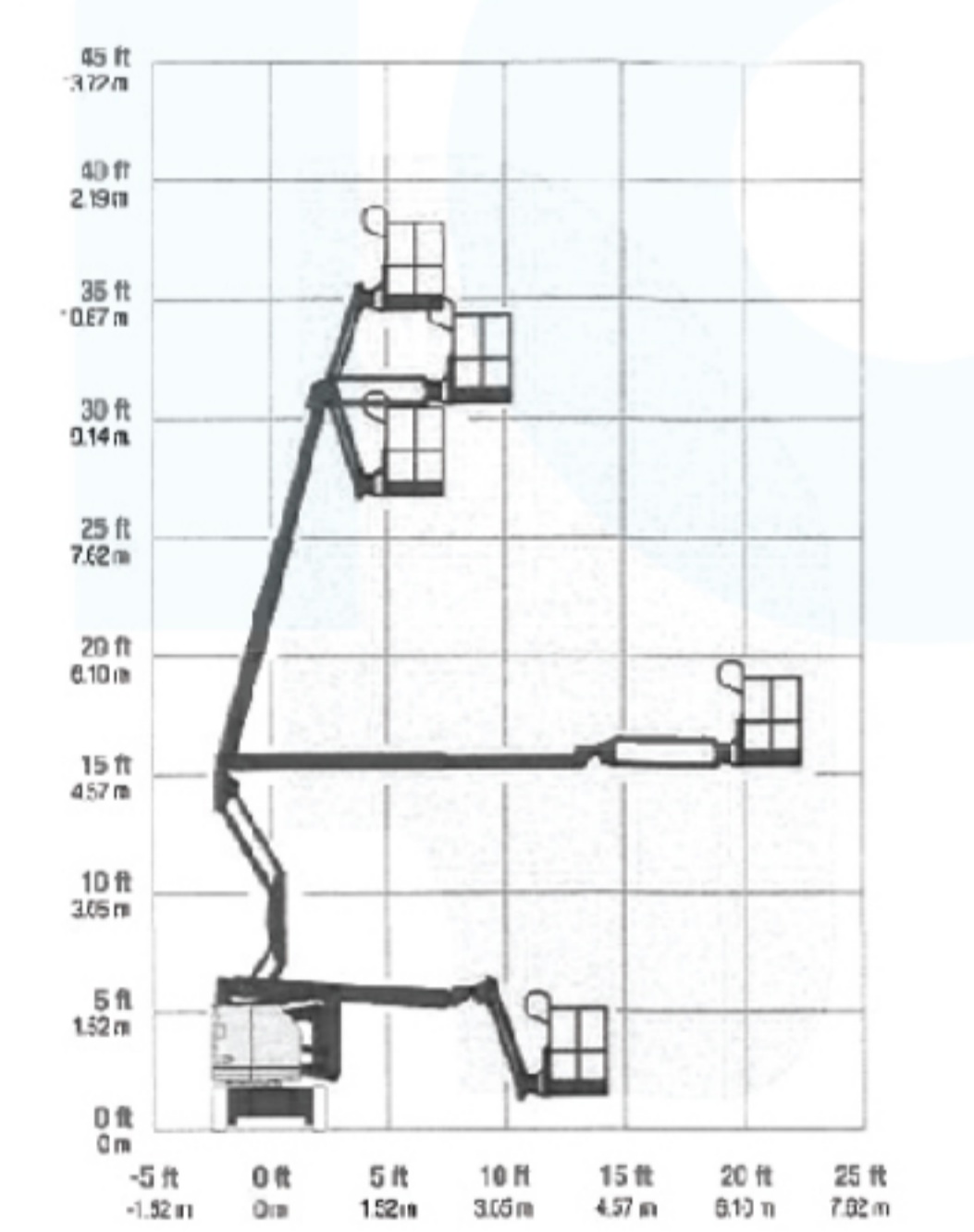
●ZX135



●Z-30RJ



●Z-34/22N



### Specifications

Model	Z-30RJ	Z-34/22N	HA15IP	SIGMA16PRO	Z45	Z60
Max. working height (m)	10.89	12.52	14.87	15.7	15.87	20.39
Max. height of platform (m)	8.89	10.52	12.87	13.7	13.87	18.39
Safe working load (kg)	227	227	230	230	227	227
Weight (kg)	6,622	5,171	7,230	6,950	6,963	10,215
Power source	48V DC	48V DC	DC 48V - 345 Ah	8x6V - 435 Ah	DC/Engine	DC/Engine

### Specifications

Model	HA20LEPRO	Z80	HA260PX	HA26RTJO	HA41RTJPRO	ZX-135
Max. Working Height (m)	20.76	25.77	25.6	26.4	41.5	43.15
Max. Height of platform (m)	18.76	23.77	23.6	24.4	39.5	41.15
Safe Working load (kg)	227	227	230	230	230	230
Weight (kg)	9,785	17,010	15,890	10,215	23,900	21,092
Power Source	Hybrid	Diesel engine	Diesel engine	Diesel engine	Diesel engine	Diesel engine

