

■DESCRIPTION

The WS-5325U includes a wireless transmitter WM-5325, a lavalier microphone YP-M5300, and a diversity wireless tuner WT-5810.

The WM-5325 wireless transmitter has been manufactured for use with a UHF system. Thanks to the PLL-synthesizer system, 64 different operating frequencies are made available. A high output power ensures stable radio signal transmission.

The YP-M5300 employs an electret condenser microphone element and has been designed for use in speech reinforcement applications.

The WT-5810 is a PLL-synthesizer controlled double superheterodyne diversity tuner designed to be used with a UHF wireless system. It employs a compander noise reduction circuit to minimize the influence of ambient RF noise.

■SPECIFICATIONS

|                       |   |
|-----------------------|---|
| Product Composition   | Wireless transmitter WM-5325 ...1, Lavalier microphone YP-M5300 ...1, Diversity wireless tuner WT-5810 ...1 |
| Frequency Range       | 576 – 865 MHz (*1), UHF   |
| Tone Frequency        | 32.768 kHz  |
| Operating Temperature | -10 °C to +50 °C (14 °F to 122 °F)  |
| Accessory             | AC adapter (*2) ...1, Screw driver ...1, Storage case ...1, Neck strap ...1                                 |

Wireless transmitter

(\*3) 0 dB = 1 V

|                     |  |
|---------------------|--|
| Modulation          | Frequency modulation   |
| Channel Selectable  | 64 channels (the number of channels may differ from country to country)  |
| RF Carrier Power    | Less than 50 mW (Factory preset 10 mW ERP)   |
| Oscillator          | PLL synthesized  |
| Maximum Input Level | -14 dB to -29 dB (*3) (Audio level control: Min. to Max.)  |
| Battery             | WB-2000 (WB-2000-2 contains 2 pieces) rechargeable battery (option) or AA alkaline dry cell battery              |
| Battery Life        | Approx. 13 h (when the WB-2000 rechargeable battery is used)<br>Approx. 10 h (when the alkaline battery is used) |
| Indicator           | Power/Battery lamps  |
| Antenna             | Built-in type  |
| Finish              | Resin, coating   |
| Dimensions          | 62 (W) × 102.5 (H) × 23 (D) mm (2.44" × 4.04" × 0.91")   |
| Weight              | 90 g (0.2 lb) (with battery)   |

Lavalier microphone

|                    |   |
|--------------------|---|
| Microphone Element | Electret condenser type: Unidirectional |
| Sensitivity        | -63 dB ±3 dB (0 dB = 1 V/0.1 Pa, 1 kHz) |
| Cord Length        | 1.3 m (4.27 ft)                         |
| Finish             | Dark black                              |
| Weight             | 20 g (0.71 oz) (cable included)         |

Diversity wireless tuner

(\*3) 0 dB = 1 V

|                       |  |
|-----------------------|--|
| Power Source          | AC mains (supplied AC adapter must be used)  |
| Power Consumption     | 130 mA (12 V DC)   |
| Channel Selectable    | 16 channels  |
| Receiving System      | Double super-heterodyne  |
| Diversity System      | Space diversity  |
| Mixing Output         | MIC: -60 dB (*3), 600 Ω, balanced, XLR-3-32 type connector<br>LINE: -20 dB (*3), 600 Ω, unbalanced, phone jack |
| Mixing Input          | -20 dB (*3), 10 kΩ, unbalanced, phone jack   |
| Antenna               | Whip antenna   |
| Receiving Sensitivity | 90 dB or more, Signal to Noise ratio (20 dBμV input, 40 kHz deviation)   |
| Squelch Sensitivity   | 16 – 40 dBμV variable  |
| Squelch System        | Using together of noise SQ, carrier SQ and tone SQ   |
| Indicator             | ANT A/B, Audio (peak), Battery alarm, Channel number   |
| Channel Check         | Usable frequencies scanning  |
| Signal to Noise Ratio | 104 dB or more (A-weight, unbalanced output)   |
| Harmonic Distortion   | 1 % or less (typical)  |
| Frequency Response    | 100 Hz – 15 kHz, ±3 dB   |
| Finish                | Resin, black   |
| Dimensions            | 206 (W) × 40.6 (H) × 152.7 (D) mm (8.11" × 1.6" × 6.01") (excluding antenna)                                   |
| Weight                | 590 g (1.3 lb)   |

(\*1)

| Version   | Receiving Frequency |
|-----------|---------------------|
| A01       | 692 - 722 MHz, UHF  |
| B01, B02  | 722 - 752 MHz, UHF  |
| C01 - C07 | 794 - 830 MHz, UHF  |
| D01 - D05 | 830 - 865 MHz, UHF  |
| E01       | 668 - 698 MHz, UHF  |
| F01       | 636 - 666 MHz, UHF  |
| G01, G02  | 606 - 636 MHz, UHF  |
| H01       | 576 - 606 MHz, UHF  |

Note: For Thailand, B02: 748.3 - 757.7 MHz  
C04: 803.3 - 805.7 MHz

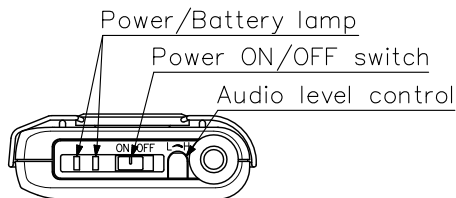
(\*2)

| Version | AC Adapter            |  |
|---------|-----------------------|--|
| US      | 120 V AC, 60 Hz       |  |
| CN      | 220 V AC, 50 Hz       |  |
| UK      | 220 - 230 V AC, 50 Hz |  |
| ER      | 230 V AC, 50 Hz       |  |
| AS      | 240 V AC, 50 Hz       |  |

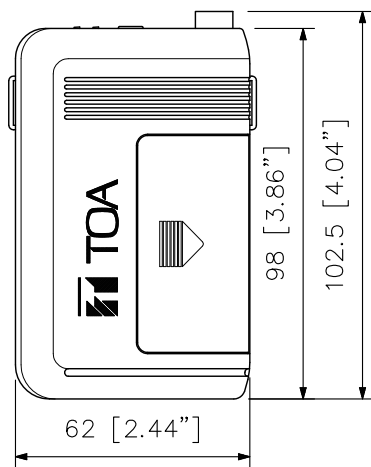
Note: No AC adapter is supplied with the version B02ER or C04ER.

■ APPEARANCE

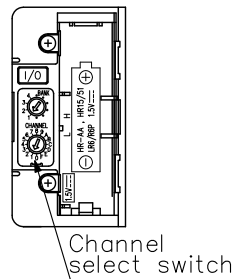
Wireless Transmitter



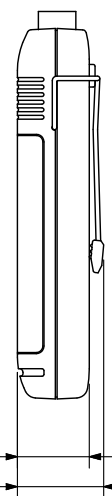
Top View



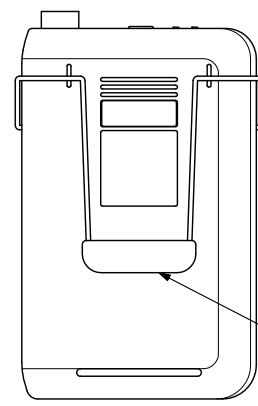
Front View



Inside of a battery cover

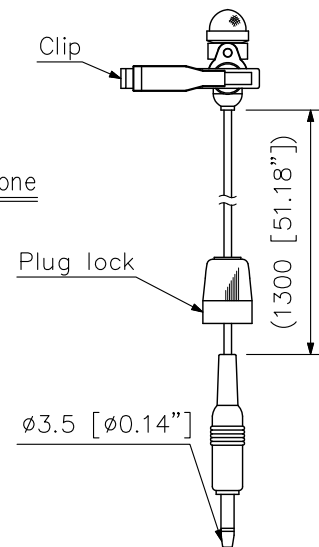


Side View



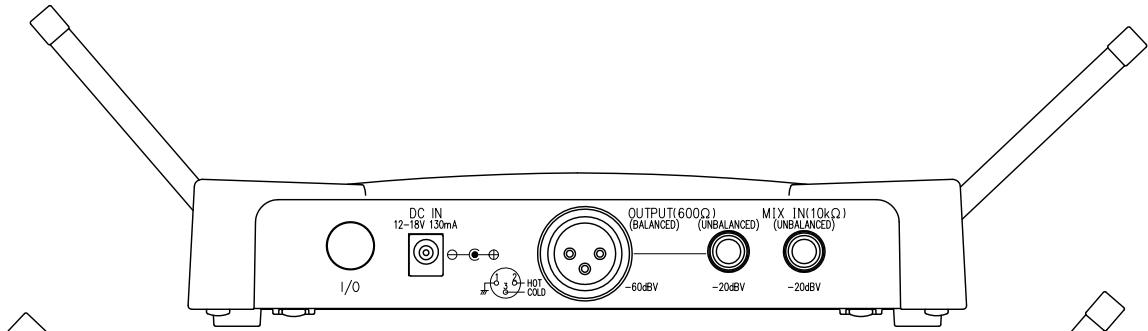
Rear View

Lavalier Microphone

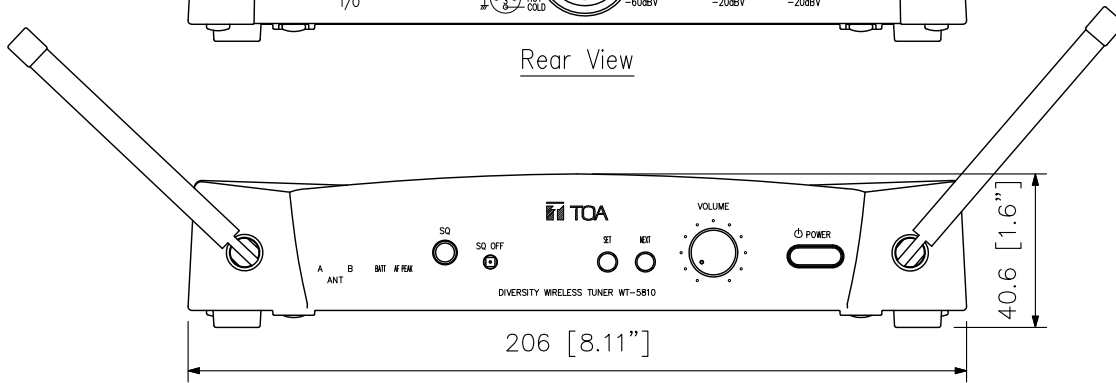


■ APPEARANCE

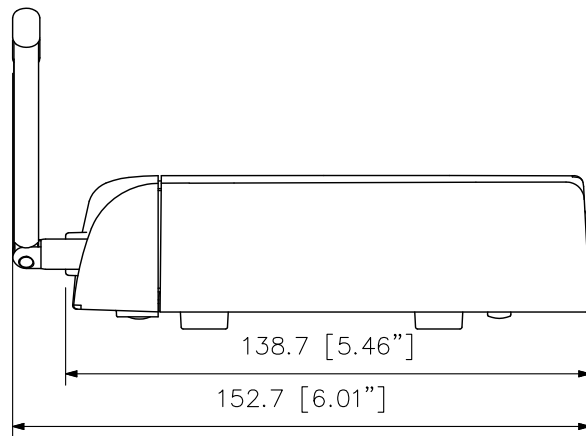
Diversity wireless tuner



Rear View



Front View



Side View

UNIT: mm SCALE: 1/2