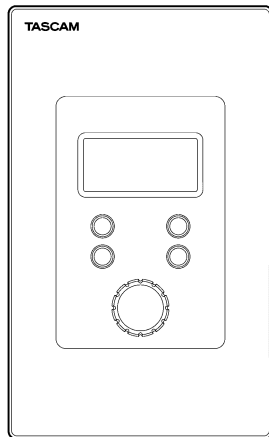
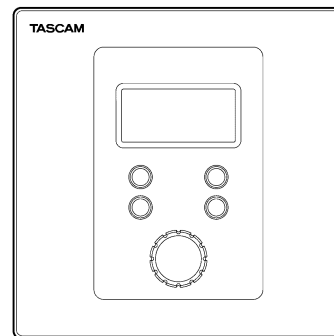


Dec, 2019

Product Spec Sheet
WALL MOUNTED CONTROLLER
RC-W100-R120 / RC-W100-R86



RC-W100-R120



RC-W100-R86

■ Specifications**Input/output ratings****•RS-485 connector**

Connector: RJ-45 x2
Cables: category 5e or faster STP cables

Other**•Power consumption**

0.24 W

•Dimensions

RC-W100-R120: 70 x 114 x 54 mm (W x H x D, including protrusions)

RC-W100-R86: 87 x 87 x 54 mm (W x H x D, including protrusions)

•Weight

RC-W100-R120: 140 g

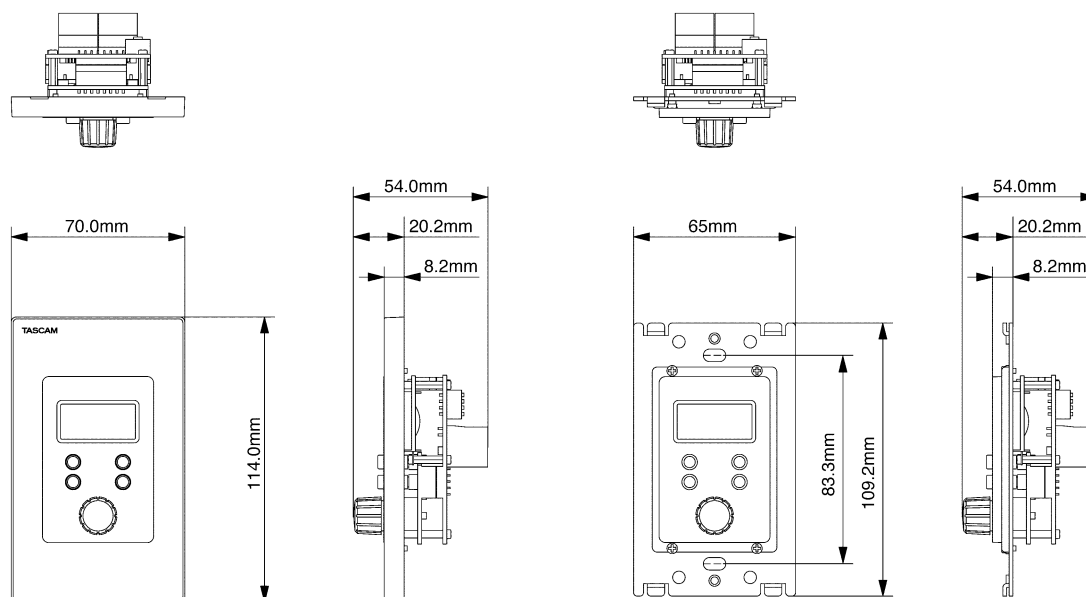
RC-W100-R86: 140 g

•Operating temperature range

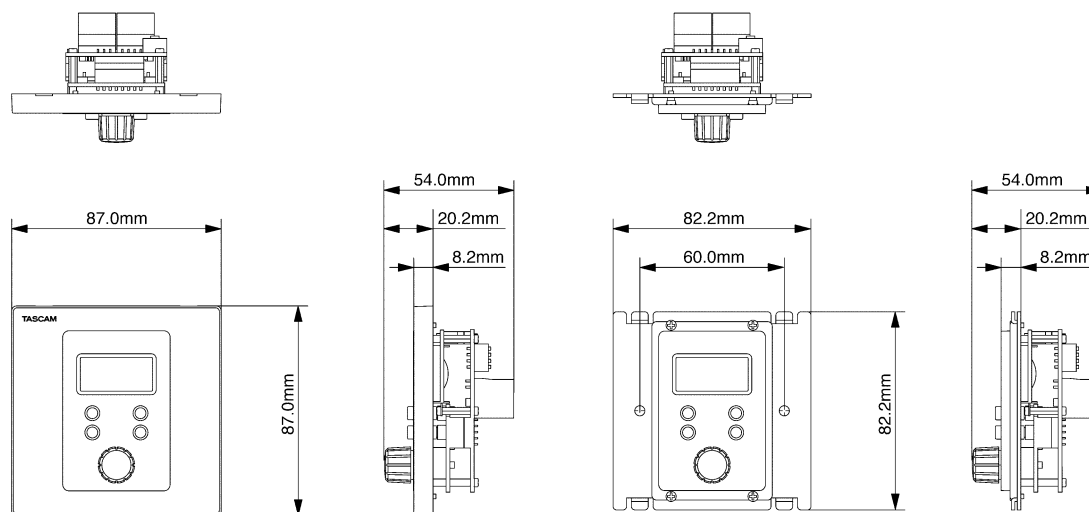
0 – 40 °C (32 – 104 °F)

■ Dimensional drawings

RC-W100-R120



RC-W100-R86



※TASCAM is trademark of TEAC CORPORATION, registered in the U.S. and other countries.

※Other company names, product names and logos are the trademarks or registered trademarks of their owners.

※Specifications and appearance are subject to change without notice.

※All information included in this document is as of Dec, 2019.