

FEATURE HIGHLIGHTS

- BIG ZOOM RATIO: 1.5X
- SUITABLE THROW RATIO: 1.39~2.09
- 5,000 ANSI LUMEN HIGH BRIGHTNESS
- 13000:1 HIGH CONTRAST RATIO
- EXTRON IP LINK CERTIFIED



Product Specifications

| | | |
|----------------------------|---|--|
| Projection System | DLP | |
| DMD Type | DC3 | |
| Native Resolution | 1920 x 1080 pixels, 16 : 9 | |
| Brightness | 5,000 Lumens | |
| Contrast Ratio | 13,000 : 1 | |
| Display Color | 1.07 Billion Colors | |
| Aspect Ratio | Native 16 : 9 (5 aspect ratio selectable) | |
| Light Source | Lamp (310W) | |
| Light Source Life* | 2500 / 3500 / 4500 hr (Normal / Eco / SmartEco) | |
| Throw Ratio | 1.39~2.09 | |
| Zoom Ratio | 1.5 x | |
| Lens | F= 2.42 ~2.97, f= 20.7 ~ 31.05 mm | |
| Keystone Correction | 2D, Horizontal / Vertical \pm 30 degrees | |
| Projection Offset | 114.9% (Full Height) | |
| Projection Size | 25.9"~324.9" | |
| Built-In Speaker | 10W (peak) x 1 | |
| Security Interface | Security bar / Kensington Security Slot | |
| Interface | PC (D-sub 15pin) | x 1 (V-sync signal detect and 1 port integrate with component) |
| | HDMI | x 2 (One share with MHL) |
| | MHL | x 1 (Share with HDMI 2) |
| | Monitor Output | x 1 |
| | Composite Video Input (RCA) | x 1 |
| | S-Video Input | x 1 |
| | Audio Input & output (Mini Jack) | x 1 |
| | Audio L / R Input (RCA) | x 1 |
| | Microphone Input (Mini Jack) | x 1 |
| | RS232 (DB-9pin) | x 1 |
| | LAN (RJ45) | x 1 |
| | DC 12V Trigger (3.5 mm Jack) | x 1 |
| | USB (Type A) | x 1 (5V, 1.5A) |
| | USB (Type mini B) | x 1 (Download & Page up / down) |
| | IR Receiver | x 2 (Front & Rear) |
| Resolution Support | VGA (640 x 480) to WUXGA_RB (1920 x 1200) | |
| Horizontal Frequency | 15K~102KHz | |
| Vertical Scan Rate | 23~120Hz | |
| HDTV Compatibility | 480i, 480p, 576i, 576p, 720p, 1080i, 1080p | |
| Video Compatibility | NTSC, PAL, SECAM | |
| Power | Power Consumption(Max / Normal / Eco) | Max 420W, Normal 365W, Eco 290W |
| | Standby Power Consumption | Standby <0.5W |
| | Power Supply | AC 100 to 240V, 3.5A, 50 to 60 Hz |
| Dimensions | 314 x 117 x 233 mm | |
| Weight | 3.3 kg | |
| Noise Level | 36 / 31 dBA (Normal / Eco Mode) | |
| Operating Temperature | 0 ~ 40°C | |
| Accessories | Standard | Optional |
| | Power Cord (by region) | Spare Lamp Kit P / N: 5JJFG05.001 |
| | Remote Control w Battery RCS01 I | Ceiling Mount P / N: 5JJAM10.001 |
| | VGA cable | 3D Glasses P / N: 5JJ9H25.001 |
| | User Manual CD | Carry Bag |
| | QSG | Wireless dongle: QCast (QP01) |
| | Warranty Card (by region) | InstaShow™ (WDC10) |
| On Screen Display Language | Arabic / Bulgarian / Croatian / Czech / Danish / Dutch / English / Finnish / French / German / Greek / Hindi / Hungarian / Italian / Indonesian / Japanese / Korean / Norwegian / Polish / Portuguese / Romanian / Russian / Simplified Chinese / Spanish / Swedish / Turkish / Thai / Traditional Chinese (28 Languages) | |

* Lamp in this product contains mercury. To dispose of the product or used lamps, consult your local environment authorities for regulations or see www.lamprecycle.org.

** Lamplife results will vary depending on environmental conditions and usage. Actual product's features and specifications are subject to change without notice.

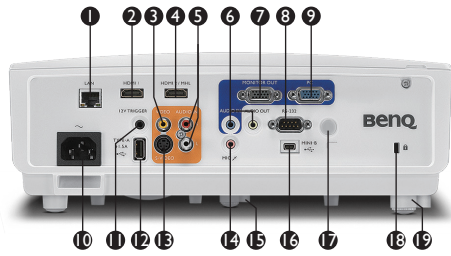
*** Default mode is Presentation. When 3D is on, Picture Modes only shows 3D. When 3D is off, it is not shown in Picture Modes.

**** Storage: Temperature: -20~60°C; Humidity: 10~90%RH (without condensation)

SH753+
BenQ Full-HD Projector

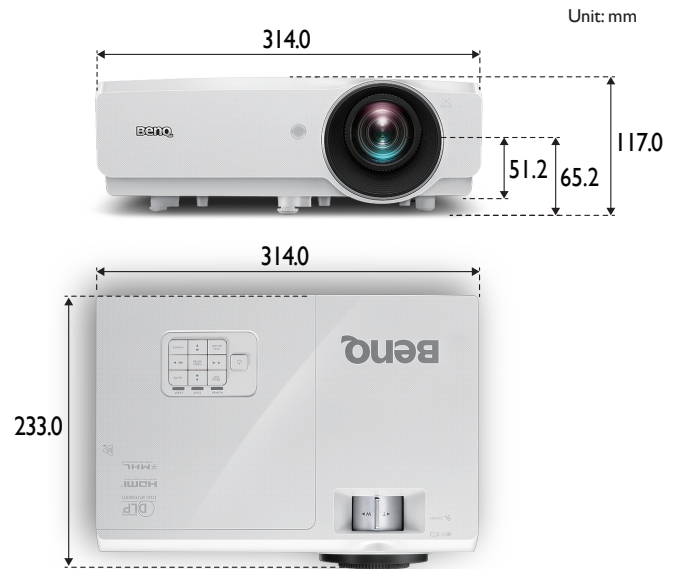
BenQ

Input and Output Terminals

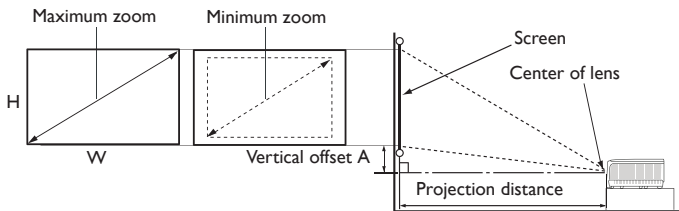


- ❶ RJ45 LAN input jack
- ❷ HDMI-1 input jack
- ❸ VIDEO input jack
- ❹ HDMI-2 / MHL input jack
- ❺ Audio (L / R) input jack
- ❻ Audio input / output jack
- ❼ MONITOR-OUT output jack
- ❽ RS232 control port
- ❾ PC input jack
- ❿ AC power cord inlet
- ⓫ 12V TRIGGER out jack
Used to trigger external device such as an electric screen or light control, etc. Consult your dealer for how to connect these devices.
- ⓬ USB Type-A port
- ⓭ S-VIDEO input jack
- ⓮ Microphone jack
- ⓯ Front adjuster foot
- ⓰ USB Mini-B port
- ⓱ Rear IR remote sensor
- ⓲ Kensington anti-theft lock slot
- ⓳ Rear adjuster foot

Dimensions

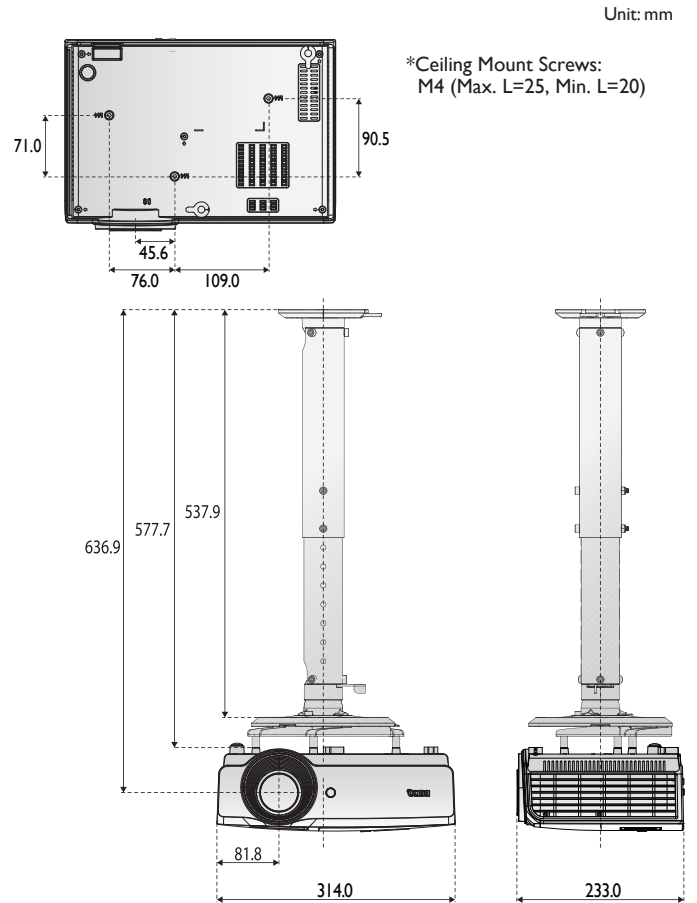


Distance Chart



| Screen Size | | | | Distance from Screen (mm) | | | Offset |
|-------------|-------|--------|--------------|---------------------------|--------------|--------|-----------|
| Diagonal | Width | Height | Min Distance | Average | Max Distance | A (mm) | |
| inch | mm | mm | | | | | Wide Mode |
| 60 | 1524 | 1328 | 1846 | 2311 | 2776 | 111 | |
| 70 | 1778 | 1550 | 2154 | 2696 | 3239 | 130 | |
| 80 | 2032 | 1771 | 2462 | 3082 | 3701 | 149 | |
| 90 | 2286 | 1992 | 2769 | 3467 | 4164 | 167 | |
| 100 | 2540 | 2214 | 3077 | 3852 | 4627 | 186 | |
| 120 | 3048 | 2657 | 3693 | 4622 | 5552 | 223 | |
| 150 | 3810 | 3321 | 4616 | 5778 | 6940 | 279 | |
| 170 | 4318 | 3763 | 5231 | 6548 | 7866 | 316 | |
| 180 | 4572 | 3985 | 5539 | 6934 | 8328 | 334 | |
| 190 | 4826 | 4206 | 5847 | 7319 | 8791 | 353 | |
| 200 | 5080 | 4428 | 6154 | 7704 | 9254 | 371 | |
| 250 | 6350 | 5535 | 7693 | 9630 | 11567 | 464 | |
| 300 | 7620 | 6641 | 9232 | 11556 | 13881 | 557 | |

Ceiling Mount Chart



SCAN ME



<https://www.benq.eu/en-eu/business/index.html>

© 2020 BenQ Corp. Specifications may vary by region, please visit your local stores for details. Actual product's features and specifications are subject to change without notice. This material may include corporate names and trademarks of third parties which are the properties of the third parties respectively.

BENQ