

TOURUS SERIES DATA SHEETS

MODEL:

Tourus-AX8 1

Tourus-AX8-MBT 2

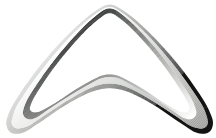
Tourus-AX12 3

Tourus-AX12-MBT 4

Tourus-AX15 5

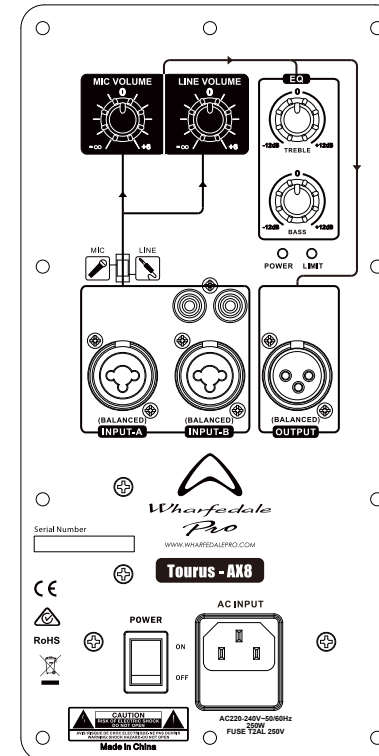
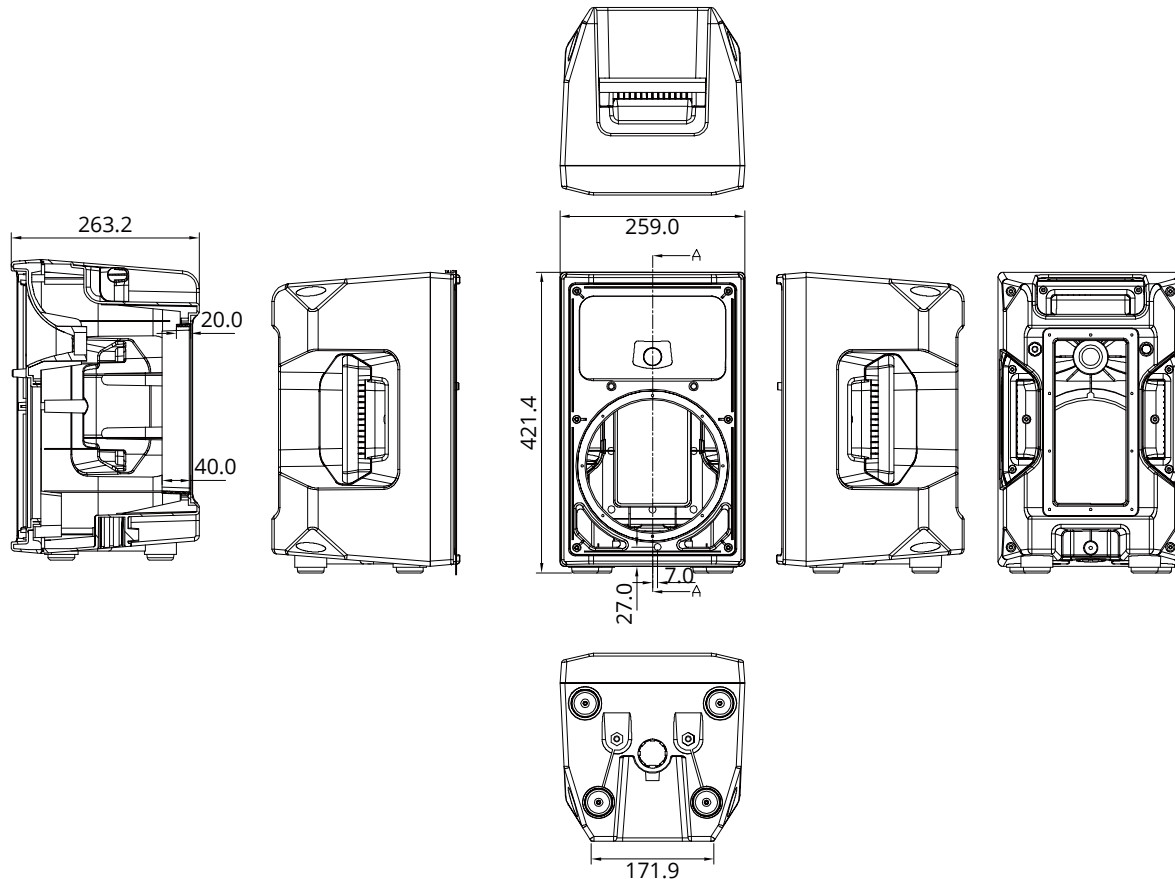
Tourus-AX15-MBT 6

T-Sub-AX15B 7



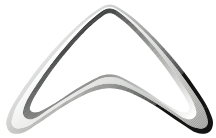
Wharfedale
Pro

MODEL : **Taurus-AX8**



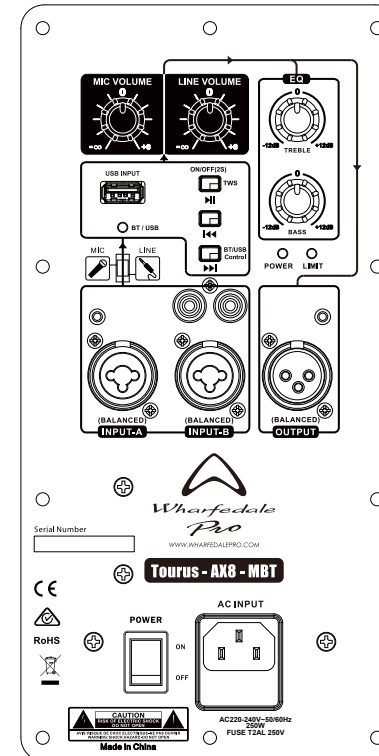
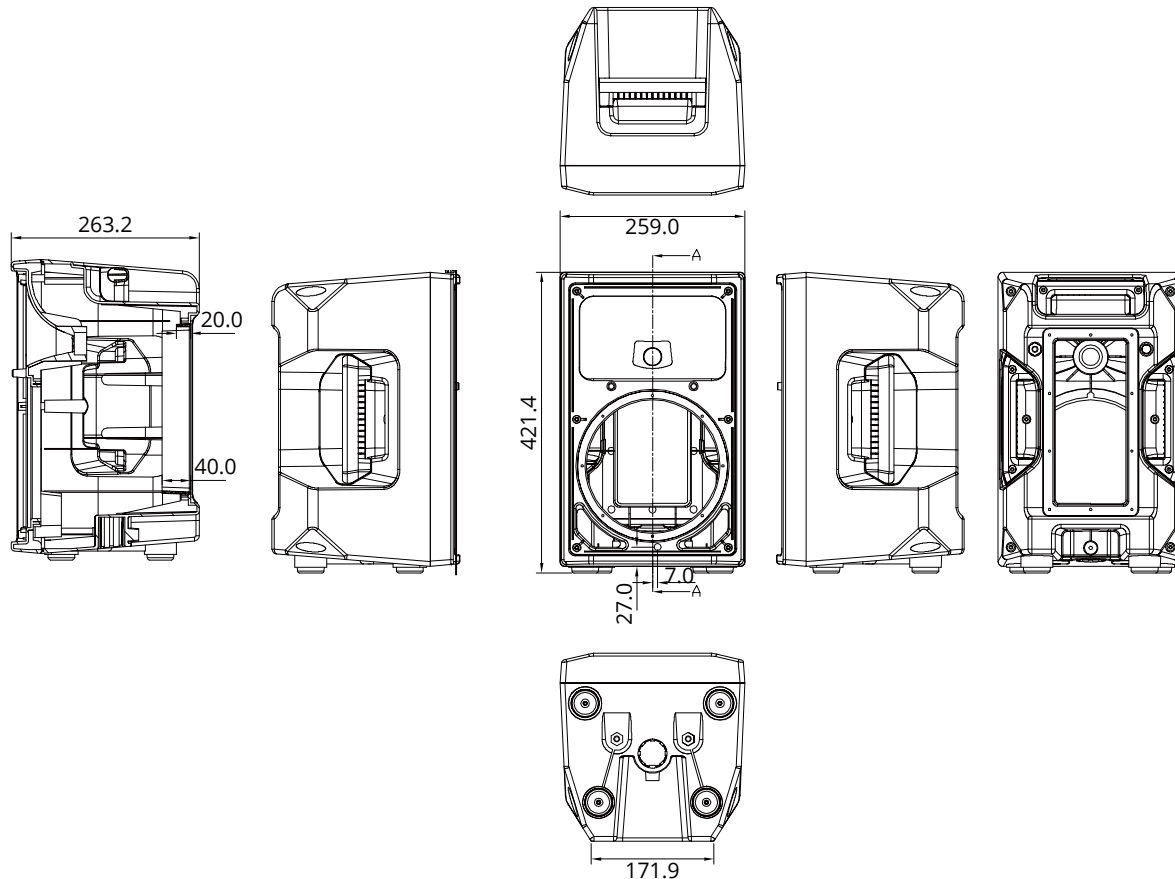
Rear Panel

Model Name	Taurus-AX8
System Type	Active 8" 2-way Bi-Amplified
Frequency Response (+/-3 dB)	65-20 kHz
Sensitivity @ 1 w / 1 meter	95 dB
Maximum SPL (peak @ 1 meter)	124 dB
Low Frequency Transducer	
Size (mm / inches)	203 mm / 8"
Coil Size (mm / inches)	38.86 mm / 1.53"
Impedance	4 Ω
High Frequency Transducer	
Type	Compression Driver
Coil Size (mm / inches)	44.5 mm / 1.75"
Exit Size (mm / inches)	25 mm / 1"
Diaphragm Material	Titanium
Impedance	8 Ω
High Frequency Coverage (H x V)	90° x 60°
Amplifiers	Class D
Low-Frequency Power Amplifier	150 w Continuous / 300 w Peak
High-Frequency Power Amplifier	100 w Continuous / 200 w Peak
Electronic Crossover	
Crossover Frequency	2.6 kHz
Controls	
Equalization	+/-12 dB Gain for bass and treble
Amplifier Protection	
Power On Protection	Power switch on / off mute
Thermal Protection	Amplifier shutdown, auto reset
Driver, DC and Short Protection	Yes
Limiter Indicator	Red LED
Power Indicator	Green LED / Blue LED(LOGO)
Input type	Balanced / unbalanced
Input Connectors	TRS JACK / FEMALE XLR / RCA
Input Impedance	47 KΩ Balanced
Maximum Input Level	5 V
Line Input Sensitivity	-10 dB
Mic Input Sensitivity	-40 dB
Line Output Connector	MALE XLR
AC Power details	
Power Supply	SMPS
AC Power Options	100 V - 120 V and 220 V - 240 V
Power On Indicator	LED
Rigging / Bracket / Mounting Options	4 x M8 35 mm Pole-mount with lock screw 3 carry handles (one on each side, one on top) Optional wall-mount bracket (WPB-2)
Enclosure	
Enclosure Material	Injection Moulded Polypropylene
Colour	black
Grille	1.2 mm steel
Dimensions (Unpacked)	
Height	421.4 mm / 16.6"
Width - Front	259 mm / 10.2"
Width - Rear	171.9 mm / 6.7"
Depth	263.2 mm / 10.4"
Dimensions (packed)	
Height	470 mm / 18.5"
Width	315 mm / 12.4"
Depth	307 mm / 12.1"
Weight	
Net Weight (kg / lbs)	8.0 kg / 17.6 lbs
Gross Weight (kg / lbs)	9.2 kg / 20.24 lbs



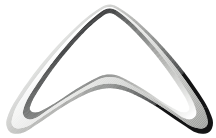
Wharfedale
Pro

MODEL : **Tourus-AX8-MBT**



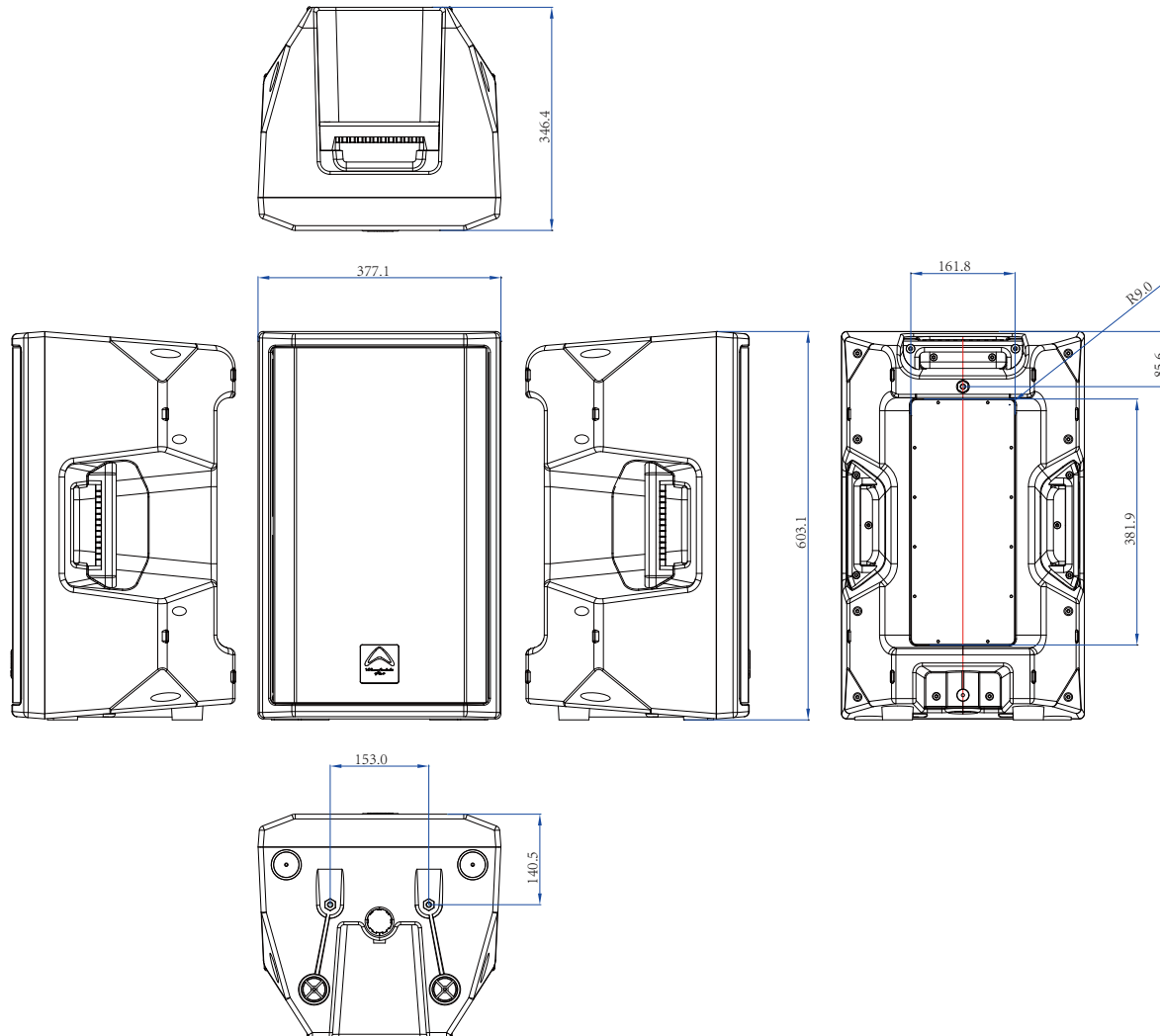
Rear Panel

Model Name	Tourus-AX8-MBT
System Type	Active 8" 2-way Bi-Amplified
Frequency Response (+/-3 dB)	65-20 kHz
Sensitivity @ 1 w / 1 meter	95 dB
Maximum SPL (peak @ 1 meter)	124 dB
Low Frequency Transducer	
Size (mm / inches)	203 mm / 8"
Coil Size (mm / inches)	38.86 mm / 1.53"
Impedance	4 Ω
High Frequency Transducer	
Type	Compression Driver
Coil Size (mm / inches)	44.5 mm / 1.75"
Exit Size (mm / inches)	25 mm / 1"
Diaphragm Material	Titanium
Impedance	8 Ω
High Frequency Coverage (H x V)	90° x 60°
Amplifiers	Class D
Low-Frequency Power Amplifier	150 w Continuous / 300 w Peak
High-Frequency Power Amplifier	100 w Continuous / 200 w Peak
Electronic Crossover	
Crossover Frequency	2.6 kHz
Controls	
Equalization	+/-12 dB Gain for bass and treble
Amplifier Protection	
Power On Protection	Power switch on / off mute
Thermal Protection	Amplifier shutdown, auto reset
Driver, DC and Short Protection	Yes
Limiter Indicator	Red LED
Power Indicator	Green LED / Blue LED(LOGO)
Input type	Balanced / unbalanced / Bluetooth / USB
Input Connectors	TRS JACK / FEMALE XLR / RCA / USB
Input Impedance	47 KΩ Balanced
Maximum Input Level	5 V
Line Input Sensitivity	-10 dB
Mic Input Sensitivity	-40 dB
Line Output Connector	MALE XLR
AC Power details	
Power Supply	SMPS
AC Power Options	100 V - 120 V and 220 V - 240 V
Power On Indicator	LED
Rigging / Bracket / Mounting Options	4 x M8 35 mm Pole-mount with lock screw 3 carry handles (one on each side, one on top) Optional wall-mount bracket (WPB-2)
Enclosure	
Enclosure Material	Injection Moulded Polypropylene
Colour	black
Grille	1.2 mm steel
Dimensions (Unpacked)	
Height	421.4 mm / 16.6"
Width - Front	259 mm / 10.2"
Width - Rear	171.9 mm / 6.7"
Depth	263.2 mm / 10.4"
Dimensions (packed)	
Height	470 mm / 18.5"
Width	315 mm / 12.4"
Depth	307 mm / 12.1"
Weight	
Net Weight (kg / lbs)	8.0 kg / 17.6 lbs
Gross Weight (kg / lbs)	9.2 kg / 20.24 lbs



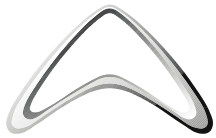
Wharfedale
Pro

MODEL : **Tourus-AX12**



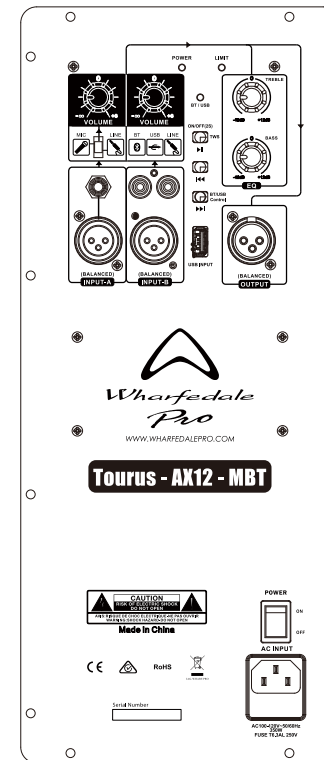
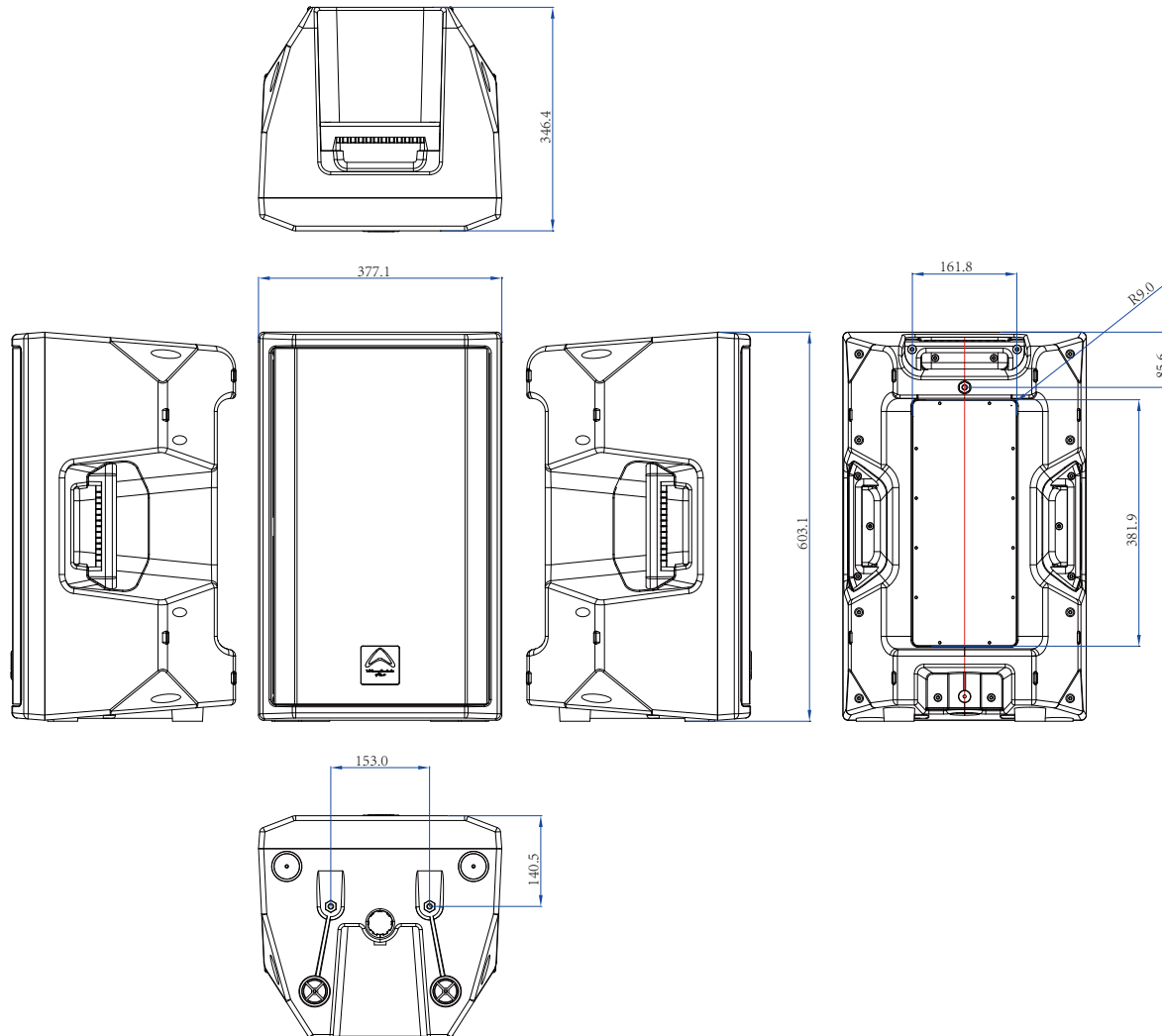
Rear Panel

Model Name	Tourus-AX12
System Type	Active 12" 2-way Bi-Amplified
Frequency Response (+/-3 dB)	55-20 kHz
Sensitivity @ 1 w / 1 meter	96 dB
Maximum SPL (peak @ 1 meter)	128 dB
Low Frequency Transducer	
Size (mm / inches)	305 mm / 12"
Coil Size (mm / inches)	50.8 mm / 2.0"
Impedance	4 Ω
High Frequency Transducer	
Type	Compression Driver
Coil Size (mm / inches)	44.5 mm / 1.75"
Exit Size (mm / inches)	25 mm / 1"
Diaphragm Material	Titanium
Impedance	8 Ω
High Frequency Coverage (H x V)	90° x 60°
Amplifiers	HF Amp Class AB : LF Amp Class D
Low-Frequency Power Amplifier	250 w Continuous / 500 w Peak
High-Frequency Power Amplifier	100 w Continuous / 200 w Peak
Electronic Crossover	
Crossover Frequency	HI PASS 2.5 kHz LOW PASS 2.5 kHz
Controls	
Equalization	+/-12 dB Gain for bass and treble
Amplifier Protection	
Power On Protection	Power switch on / off mute
Thermal Protection	Amplifier shutdown, auto reset
Driver, DC and Short Protection	Yes
Limiter Indicator	Red LED
Power Indicator	Green LED
Input type	Balanced
Input Connectors	2 x TRS JACK, 2 x RCA AND 2 x FEMALE XLR
Input Impedance	47 KΩ Balanced
Maximum Input Level	5 V
Line Input Sensitivity	-10 dB
Mic Input Sensitivity	-40 dB
Line Output Connector	MALE XLR
AC Power details	
Power Supply	SMPS
AC Power Options	100 V - 120 V and 200 V - 240 V
Power On Indicator	LED
Rigging / Bracket / Mounting Options	4 x M8 35 mm Pole-mount with lock screw 3 carry handles (one on each side, one on top) Optional wall-mount bracket (WPB-2)
Enclosure	
Enclosure Material	Injection Moulded Polypropylene
Colour	black
Grille	1.2 mm steel
Dimensions (Unpacked)	
Height	603 mm / 23.7"
Width - Front	377 mm / 14.8"
Width - Rear	217 mm / 8.54"
Depth	347 mm / 13.7"
Dimensions (packed)	
Height	666 mm / 26.2"
Width	430 mm / 16.9"
Depth	408 mm / 16.1"
Weight	
Net Weight (kg / lbs)	15.0 kg / 33.0 lbs
Gross Weight (kg / lbs)	17.0 kg / 37.4 lbs



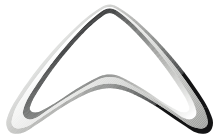
Wharfedale
Pro

MODEL : **Tourus-AX12-MBT**



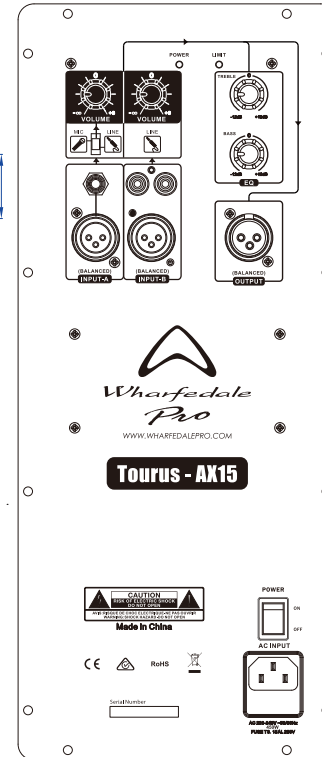
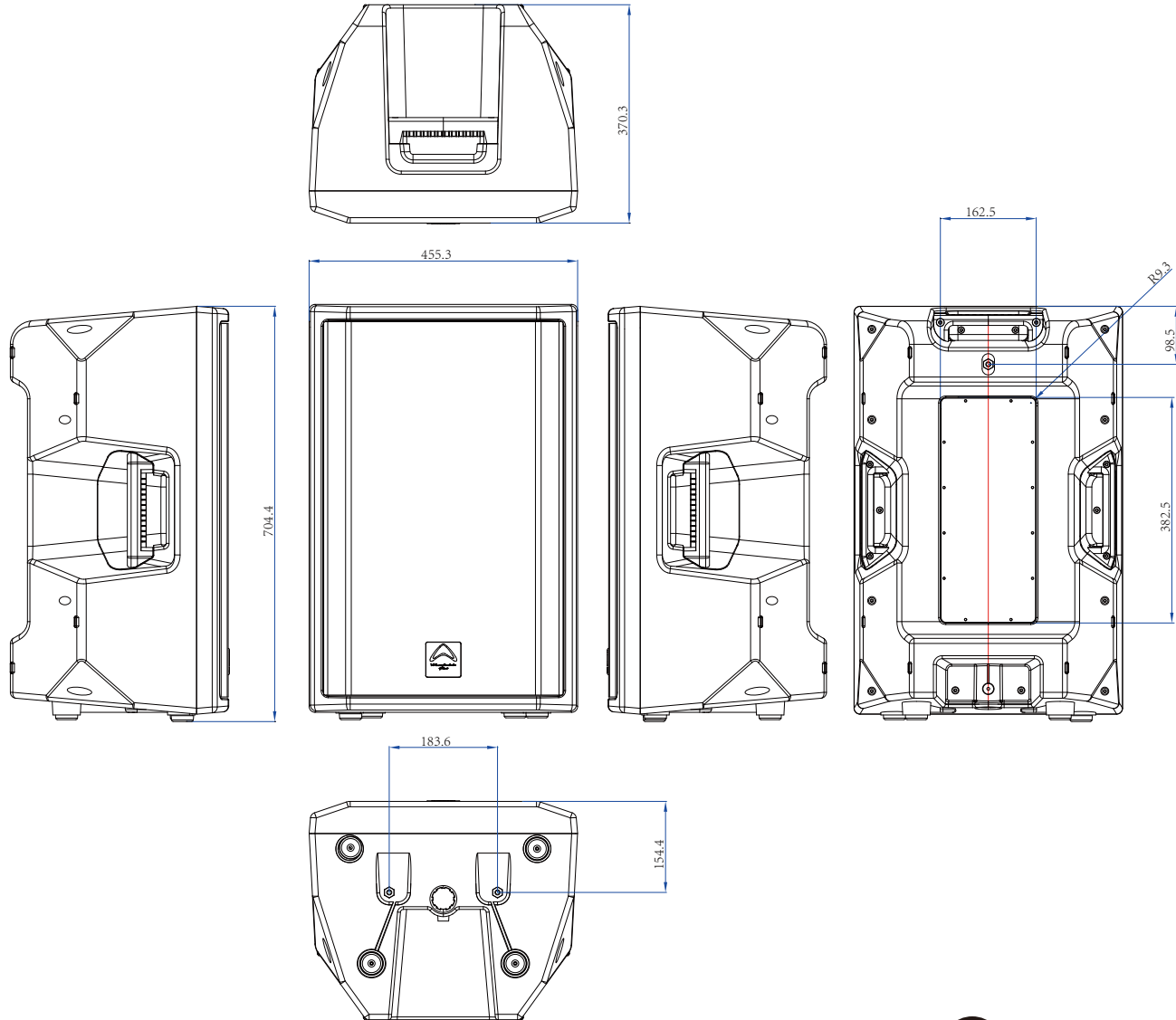
Rear Panel

Model Name	Tourus-AX12-MBT
System Type	Active 12" 2-way Bi-Amplified
Frequency Response (+/-3 dB)	55-20 kHz
Sensitivity @ 1 w / 1 meter	96 dB
Maximum SPL (peak @ 1 meter)	128 dB
Low Frequency Transducer	
Size (mm / inches)	305 mm / 12"
Coil Size (mm / inches)	50.8 mm / 2.0"
Impedance	4 Ω
High Frequency Transducer	
Type	Compression Driver
Coil Size (mm / inches)	44.5 mm / 1.75"
Exit Size (mm / inches)	25 mm / 1"
Diaphragm Material	Titanium
Impedance	8 Ω
High Frequency Coverage (H x V)	90° x 60°
Amplifiers	HF Amp Class AB : LF Amp Class D
Low-Frequency Power Amplifier	250 w Continuous / 500 w Peak
High-Frequency Power Amplifier	100 w Continuous / 200 w Peak
Electronic Crossover	
Crossover Frequency	HI PASS 2.5 kHz LOW PASS 2.5 kHz
Controls	
Equalization	+/-12 dB Gain for bass and treble
Amplifier Protection	
Power On Protection	Power switch on / off mute
Thermal Protection	Amplifier shutdown, auto reset
Driver, DC and Short Protection	Yes
Limiter Indicator	Red LED
Power Indicator	Green LED
Input type	Balanced / BT / USB
Input Connectors	2 x TRS JACK, 2 x RCA AND 2 x FEMALE XLR
Input Impedance	47 KΩ Balanced
Maximum Input Level	5 V
Line Input Sensitivity	-10 dB
Mic Input Sensitivity	-40 dB
Line Output Connector	MALE XLR
AC Power details	
Power Supply	SMPS
AC Power Options	100 V - 120 V and 200 V - 240 V
Power On Indicator	LED
Rigging / Bracket / Mounting Options	4 x M8 35 mm Pole-mount with lock screw 3 carry handles (one on each side, one on top) Optional wall-mount bracket (WPB-2)
Enclosure	
Enclosure Material	Injection Moulded Polypropylene
Colour	black
Grille	1.2 mm steel
Dimensions (Unpacked)	
Height	603 mm / 23.7"
Width - Front	377 mm / 14.8"
Width - Rear	217 mm / 8.54"
Depth	347 mm / 13.7"
Dimensions (packed)	
Height	666 mm / 26.2"
Width	430 mm / 16.9"
Depth	408 mm / 16.1"
Weight	
Net Weight (kg / lbs)	15.0 kg / 33.0 lbs
Gross Weight (kg / lbs)	17.0 kg / 37.4 lbs



Wharfedale
Pro

MODEL : **Tourus-AX15**

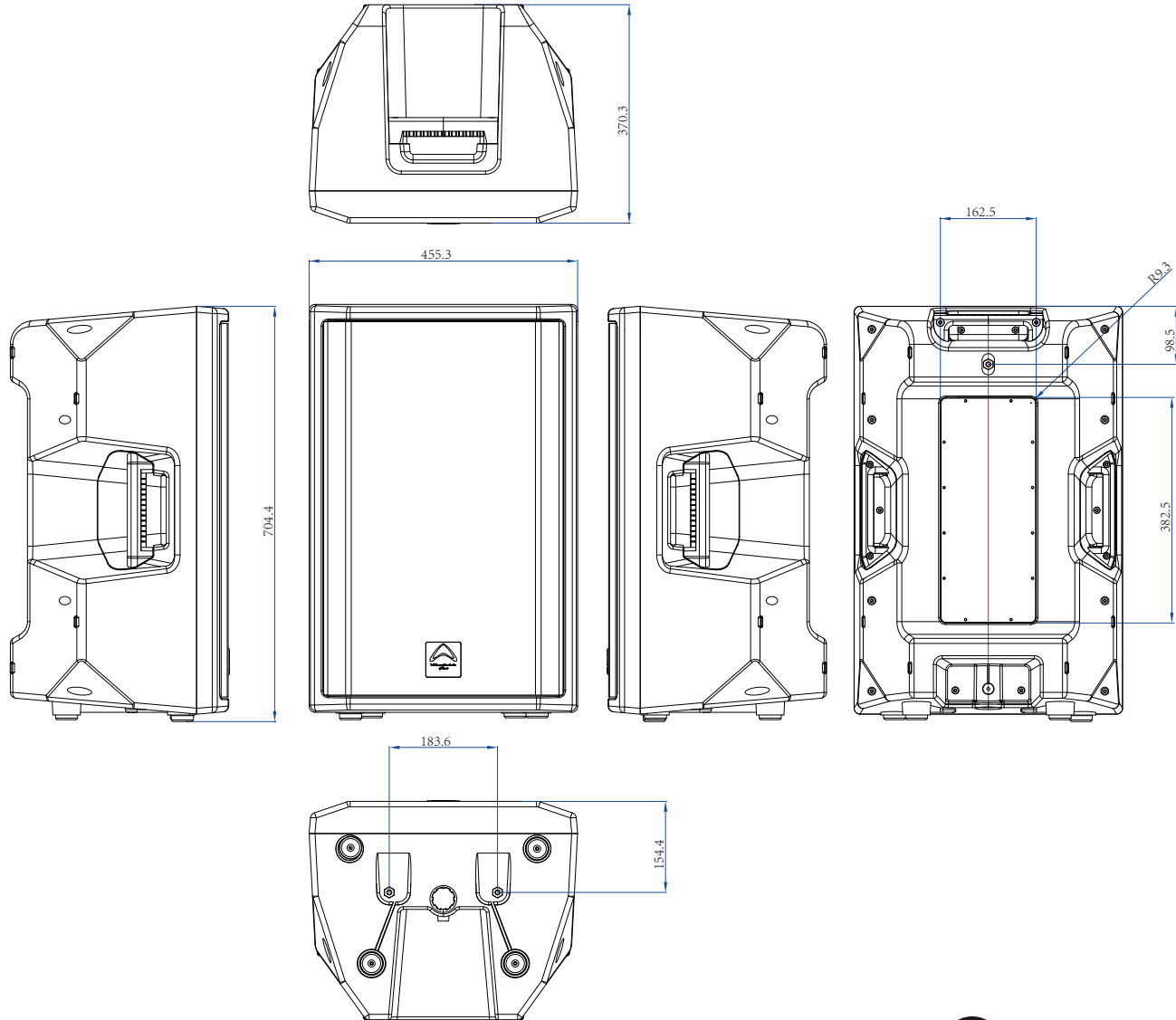


Rear Panel

Model Name	Tourus-AX15
System Type	Active 15" 2-way Bi-Amplified
Frequency Response (+/-3 dB)	50-20 kHz
Sensitivity @ 1 w / 1 meter	97 dB
Maximum SPL (peak @ 1 meter)	130 dB
Low Frequency Transducer	
Size (mm / inches)	381 mm / 15"
Coil Size (mm / inches)	50.8 mm / 2.0"
Impedance	4 Ω
High Frequency Transducer	
Type	Compression Driver
Coil Size (mm / inches)	44.5 mm / 1.75"
Exit Size (mm / inches)	25 mm / 1"
Diaphragm Material	Titanium
Impedance	8 Ω
High Frequency Coverage (H x V)	90° x 60°
Amplifiers	HF Amp Class AB : LF Amp Class D
Low-Frequency Power Amplifier	350 w Continuous / 700 w Peak
High-Frequency Power Amplifier	100 w Continuous / 200 w Peak
Electronic Crossover	
Crossover Frequency	HI PASS 2.4 kHz LOW PASS 2.4 kHz
Controls	
Equalization	+/-12 dB Gain for bass and treble
Amplifier Protection	
Power On Protection	Power switch on / off mute
Thermal Protection	Amplifier shutdown, auto reset
Driver, DC and Short Protection	Yes
Limiter Indicator	Red LED
Power Indicator	Green LED
Input type	Balanced
Input Connectors	2 x TRS JACK, 2 x RCA AND 2 x FEMALE XLR
Input Impedance	47 KΩ Balanced
Maximum Input Level	5 V
Line Input Sensitivity	-10 dB
Mic Input Sensitivity	-40 dB
Line Output Connector	MALE XLR
AC Power details	
Power Supply	SMPS
AC Power Options	100 V - 120 V and 200 V - 240 V
Power On Indicator	LED
Rigging / Bracket / Mounting Options	4 x M8 35 mm Pole-mount with lock screw 3 carry handles (one on each side, one on top) Optional wall-mount bracket (WPB-2)
Enclosure	
Enclosure Material	Injection Moulded Polypropylene
Colour	black
Grille	1.2 mm steel
Dimensions (Unpacked)	
Height	693 mm / 27.3"
Width - Front	455 mm / 17.9"
Width - Rear	262 mm / 10.3"
Depth	401.8 mm / 15.1"
Dimensions (packed)	
Height	762 mm / 30.0"
Width	508 mm / 20.0"
Depth	425 mm / 16.7"
Weight	
Net Weight (kg / lbs)	19.2 kg / 42.2 lbs
Gross Weight (kg / lbs)	22.0 kg / 48.4 lbs

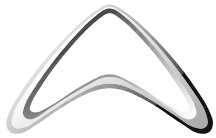


MODEL : **Tourus-AX15-MBT**



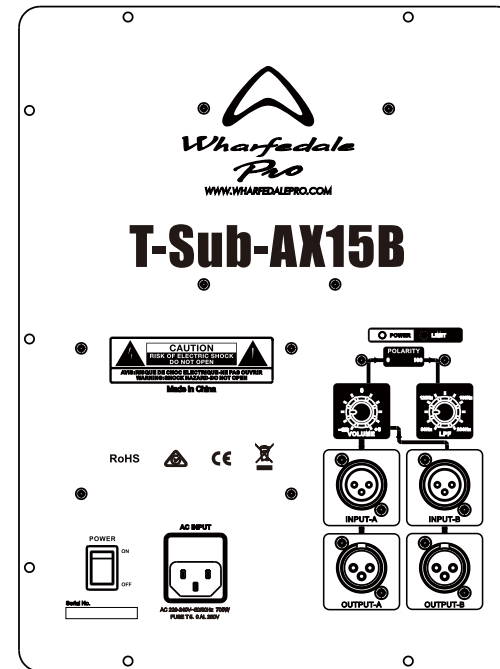
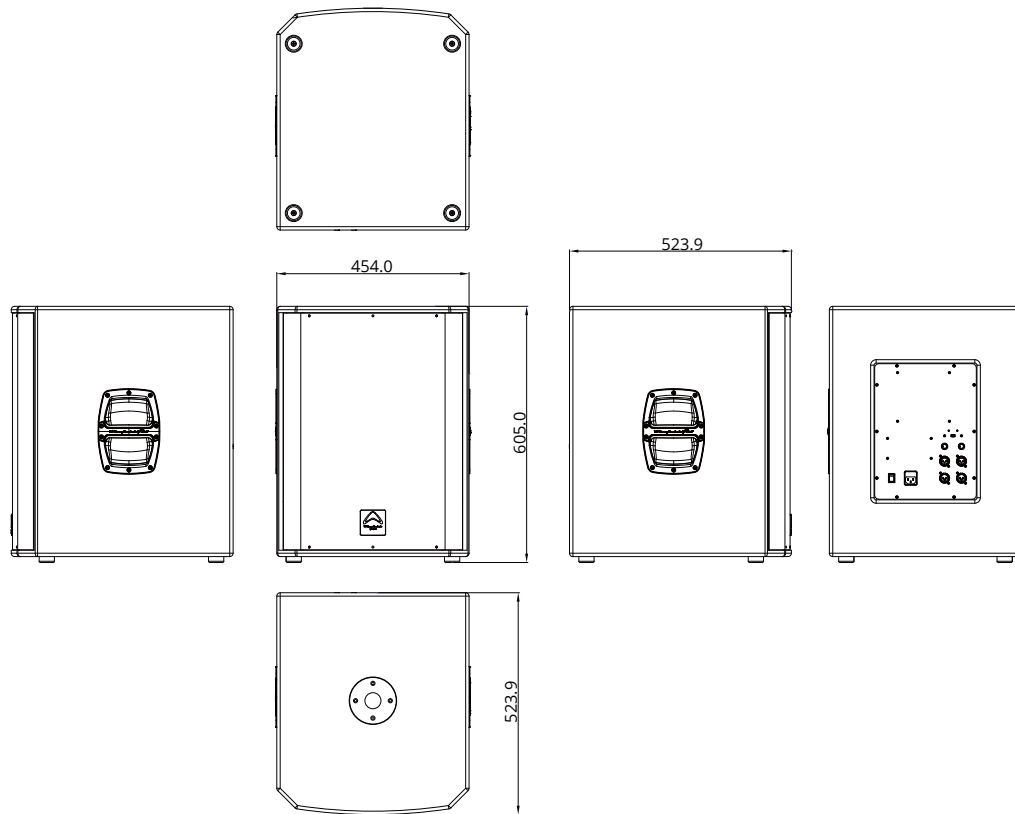
Rear Panel

Model Name	Tourus-AX15-MBT
System Type	Active 15" 2-way Bi-Amplified
Frequency Response (+/-3 dB)	50-20 kHz
Sensitivity @ 1 w / 1 meter	97 dB
Maximum SPL (peak @ 1 meter)	130 dB
Low Frequency Transducer	
Size (mm / inches)	381 mm / 15"
Coil Size (mm / inches)	50.8 mm / 2.0"
Impedance	4 Ω
High Frequency Transducer	
Type	Compression Driver
Coil Size (mm / inches)	44.5 mm / 1.75"
Exit Size (mm / inches)	25 mm / 1"
Diaphragm Material	Titanium
Impedance	8 Ω
High Frequency Coverage (H x V)	90° x 60°
Amplifiers	HF Amp Class AB : LF Amp Class D
Low-Frequency Power Amplifier	350 w Continuous / 700 w Peak
High-Frequency Power Amplifier	100 w Continuous / 200 w Peak
Electronic Crossover	
Crossover Frequency	HI PASS 2.4 kHz LOW PASS 2.4 kHz
Controls	
Equalization	+/-12 dB Gain for bass and treble
Amplifier Protection	
Power On Protection	Power switch on / off mute
Thermal Protection	Amplifier shutdown, auto reset
Driver, DC and Short Protection	Yes
Limiter Indicator	Red LED
Power Indicator	Green LED
Input type	Balanced / BT / USB
Input Connectors	2 x TRS JACK, 2 x RCA AND 2 x FEMALE XLR
Input Impedance	47 KΩ Balanced
Maximum Input Level	5 V
Line Input Sensitivity	-10 dB
Mic Input Sensitivity	-40 dB
Line Output Connector	MALE XLR
AC Power details	
Power Supply	SMPS
AC Power Options	100 V - 120 V and 200 V - 240 V
Power On Indicator	LED
Rigging / Bracket / Mounting Options	4 x M8 35 mm Pole-mount with lock screw 3 carry handles (one on each side, one on top) Optional wall-mount bracket (WPB-2)
Enclosure	
Enclosure Material	Injection Moulded Polypropylene
Colour	black
Grille	1.2 mm steel
Dimensions (Unpacked)	
Height	693 mm / 27.3"
Width - Front	455 mm / 17.9"
Width - Rear	262 mm / 10.3"
Depth	401.8 mm / 15.1"
Dimensions (packed)	
Height	762 mm / 30.0"
Width	508 mm / 20.0"
Depth	425 mm / 16.7"
Weight	
Net Weight (kg / lbs)	19.2 kg / 42.2 lbs
Gross Weight (kg / lbs)	22.0 kg / 48.4 lbs



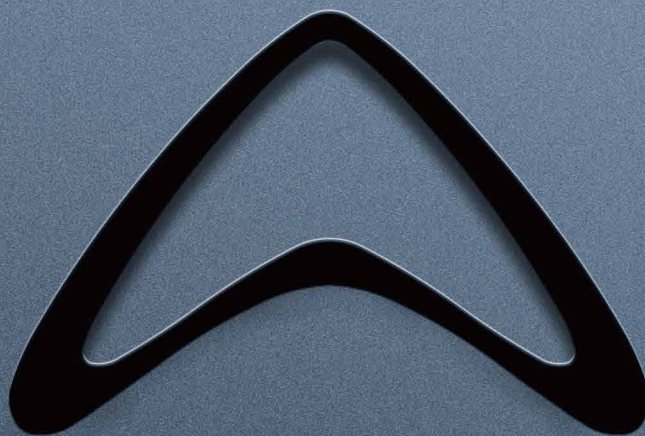
Wharfedale
Pro

MODEL : T-Sub-AX15B



Rear Panel

Model Name	T-Sub-AX15B
System Type	Active 15" Subwoofer
Frequency Response (+/-3 dB)	45 Hz - 200 Hz
Sensitivity @ 1 w / 1 meter	97 dB
Maximum SPL (peak @ 1 meter)	129 dB
Low Frequency Transducer	
Size (mm / inches)	404 mm / 15"
Coil Size (mm / inches)	Quad layer 3.0"
Impedance	4 Ω
Amplifier	
Low-Frequency Power Amplifier (Class D)	700 w Continuous / 1400 w Peak
Crossover Frequency	LPF 80-200 Hz (adjustable)
Controls	
Amplifier Protection	Yes
Power On Protection	Power switch on / off mute
Thermal Protection	Amplifier shutdown, auto reset
Driver Protection	Yes
DC Protection	Yes
Short Protection	Yes
Limiter Indicator	Red LED
Input type	Balanced
Input Connector	Female XLR
Input Impedance	47 KΩ Balanced
Maximum Input Level	5 V
Input Sensitivity	-10 dB
Line Output Connector	Male XLR
Phase Switch Selection	0° / 180°
AC Power details	
Power Supply	SMPS
AC Power Options	100 V - 120 V and 200 V - 240 V
Power Indicator	Green(back) / Blue logo(front)
Enclosure	
Enclosure Material	15 mm Plywood
Colour	Black
Grille	1.5 mm steel
Pole Mount (Top)	35 mm
Dimensions (Unpacked):	
Height	591 mm / 23.27"
Width	454 mm / 17.9"
Depth	523.9 mm / 20.63"
Dimensions (packed):	
Height	689 mm / 27.1"
Width	544 mm / 21.4"
Depth	610 mm / 24.0"
Weight	
Net Weight (kg / lbs)	25.7 kg / 56.5 lbs
Gross Weight (kg / lbs)	29.5 kg / 64.9 lbs



WWW.WHARFEDALEPRO.COM

IAG HOUSE, 13/14 GLEBE ROAD, HUNTINGDON, CAMBRIDGESHIRE,
PE29 7DL, UK
TEL: +44(0) 1480 452 561

February 2021