



DIGITAL WIRELESS MICROPHONE

WM-D5200

(-A2/-C4/-C7/-G1/-H1)

DESCRIPTION

The WM-D5200 Digital wireless microphone employs an electret condenser microphone capsule and is suitable for any applications. This wireless microphone employs a digital transmission system that is effectively immune to interference. Further, not only does TOA's unique information concealment technology (Encryption Setting function) ensure high confidentiality and security against eavesdropping, but their code setting and transmission output selection functions ensure that this microphone is also compatible with a wide range of operating conditions, such as use of the same transmission channel between adjacent areas.

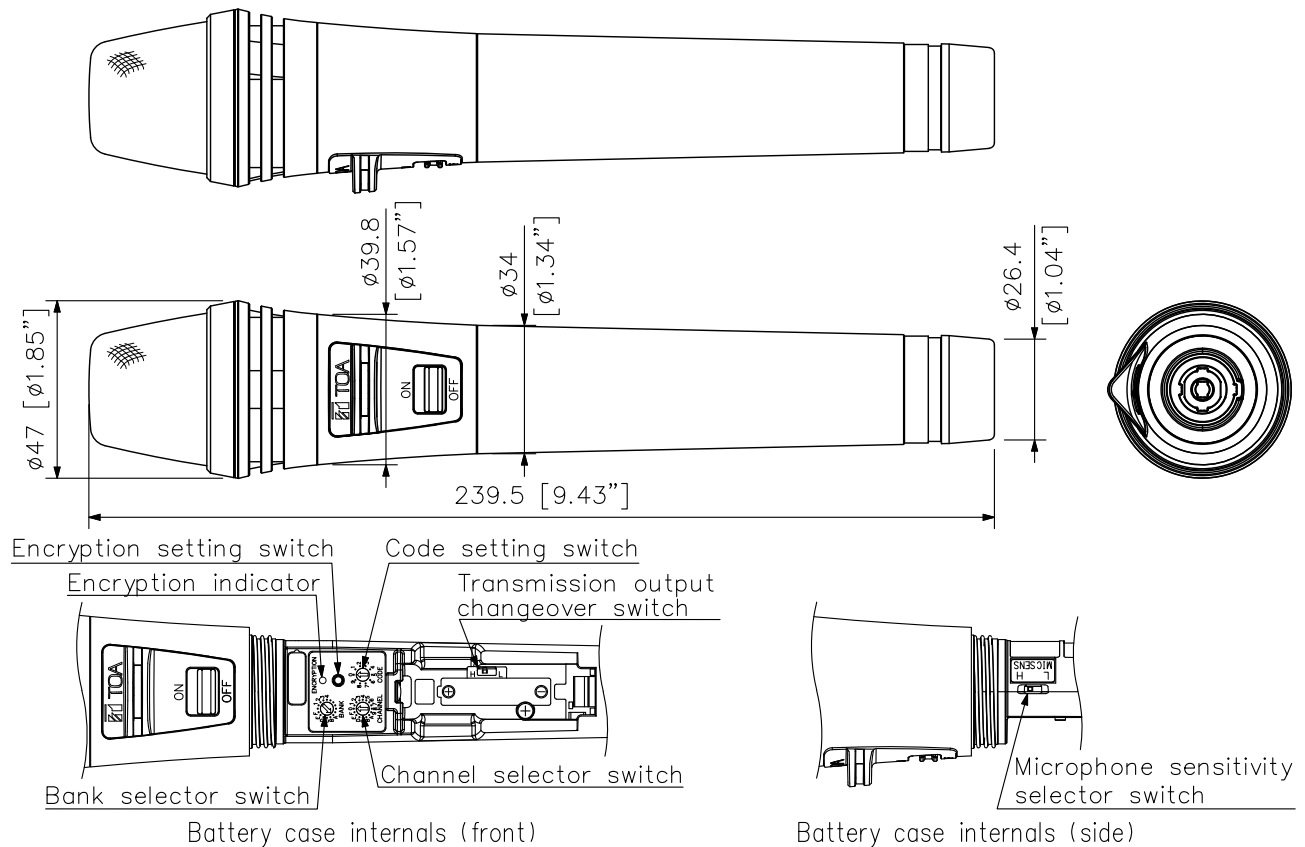
SPECIFICATIONS

Version	-A2	-C4,-C7	-G1	-H1
Microphone Element	Electret condenser unit: Unidirectional			
Modulation type	FSK			
Frequency Range	694 - 703 MHz	798 - 832 MHz	606 - 636 MHz	576 - 606 MHz
Channel Selectable	160 channels (The number of channels may differ from country to country.)			
RF Carrier Power	Less than 50 mW			
Maximum Input Level	132 dB SPL (Sensitivity: L)/122 dB SPL (Sensitivity: H)			
Audio Frequency Response	100 Hz - 12 kHz			
Antenna	Built-in type			
Dynamic Range	Typ. 90 dB (when used with WT-D5800)			
ID Selectable	10 patterns			
Battery	WB-2000 (*1) rechargeable battery (option) or AA Alkaline dry cell battery			
Battery Life	Approx. 8 hours			
Operating Temperature	-10 °C to +50 °C (14 °F to 122 °F) (except battery)			
Operating Humidity	30 % to 85 %RH (no condensation)			
Finish	Body: ABS resin, black, coating Head: Steel, black, paint			
Dimensions	ø47 x 239.5 mm (ø1.85 x 9.43")			
Weight	220 g (0.49 lb) (with battery)			
Accessory	Storage case *1, Screw driver (for setting) *1, Microphone holder W3/8 (stand adapter W5/8" → W3/8") *1			
Option	Battery charger: BC-2000 (*1) Ni-MH battery: WB-2000-2 (*1) (containing 2 pieces)			

(*1) Cannot be used in the U.S.A. and Canada.

Notes: The WM-D5200 cannot communicate with the TRANTEC Wireless System (S4 and S5 Series).
The WM-D5200 cannot communicate with the TOA Analog Wireless System (WT-5800, WT-5805, and WT-5810 etc.).

APPEARANCE



UNIT:mm SCALE:1/2