

## Install

# iW 62S-WH

2 x 6" In-Wall Subwoofer (White)

- Compact wall mount loudspeaker for multi-zone music and AV systems
- 2 x 6" bass drivers provide exceptional low frequency performance
- 160 Watts continuous, 640 Watts peak power handling delivers exceptional dynamics and realism
- Highly efficient 92 dB/Watt sensitivity
- Robust construction and performance allows use within commercial environments
- Ideal for paging systems, boardrooms, offices, business music systems, reception rooms, houses of worship, retail outlets, shopping malls and bars
- Weather resistant steel mesh grille to protect driver
- Semi matt white finish fits unobtrusively in any environment
- Both baffle and grille may be painted to match décor
- Innovative self-aligning clamping system for easy installation into standard stud partition wall
- Tannoy - Over 90 years of British sound heritage and innovation
- 10-Year Warranty Program\*
- Designed and engineered in the U.K.

Designed to excel in a wide variety of sound reinforcement applications, the iW 62S-WH is a compact 640-Watt wall mount subwoofer that provides inspiring acoustic performance with exceptional low frequency punch and power. The iW 62S-WH is ideally suited for paging systems, boardrooms, offices, business music systems, reception rooms, houses of worship, retail outlets, shopping malls and bars.



## Superb Performance

iW 62S-WH's design comprises dual 150 mm (6.00") bass drivers mounted in an enclosure that is robust enough for commercial applications. This configuration handles up to 640 Watts to deliver exceptional transient response with highly accurate time and phase coherence, all in a compact and highly efficient system that is well-suited to a wide range of amplifier options – including entry level amplifiers.

## Install

# iW 62S-WH

2 x 6" In-Wall Subwoofer (White)

### Attractive & Easy to Install

The semi matt white, weather resistant grille and enclosure can be painted to match any décor, and features an innovative self-aligning clamping system for easy installation into standard stud partition walls.



### You Are Covered

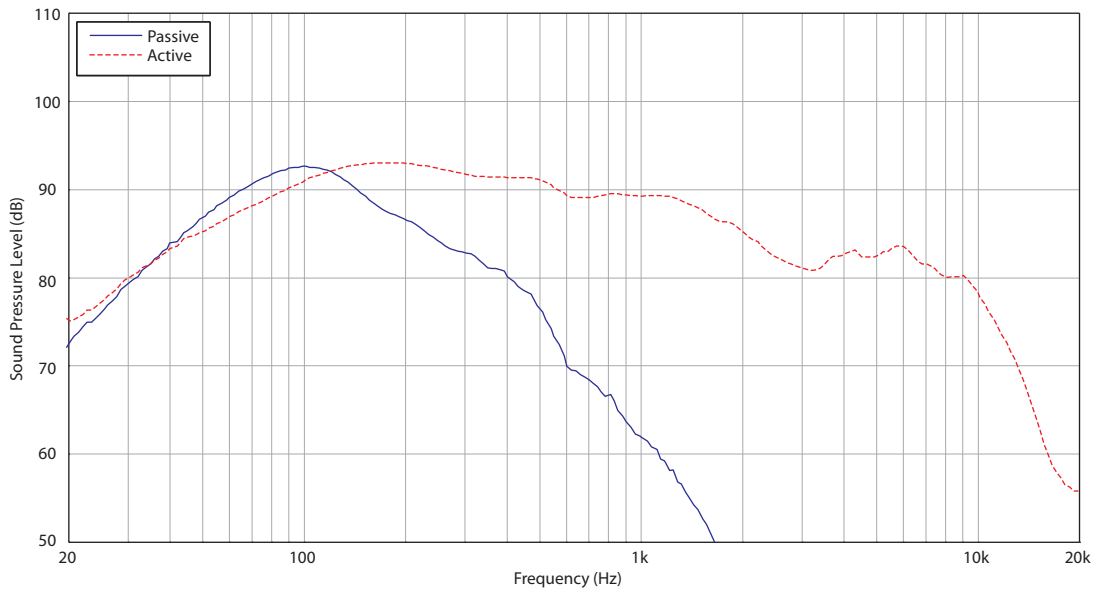
We always strive to provide the best possible Customer Experience. Our products are made in our own Music Tribe factory using state-of-the-art automation, enhanced production workflows and quality assurance labs with the most sophisticated test equipment available in the world. As a result, we have one of the lowest product failure rates in the industry, and we confidently back it up with a generous Warranty program.

Install

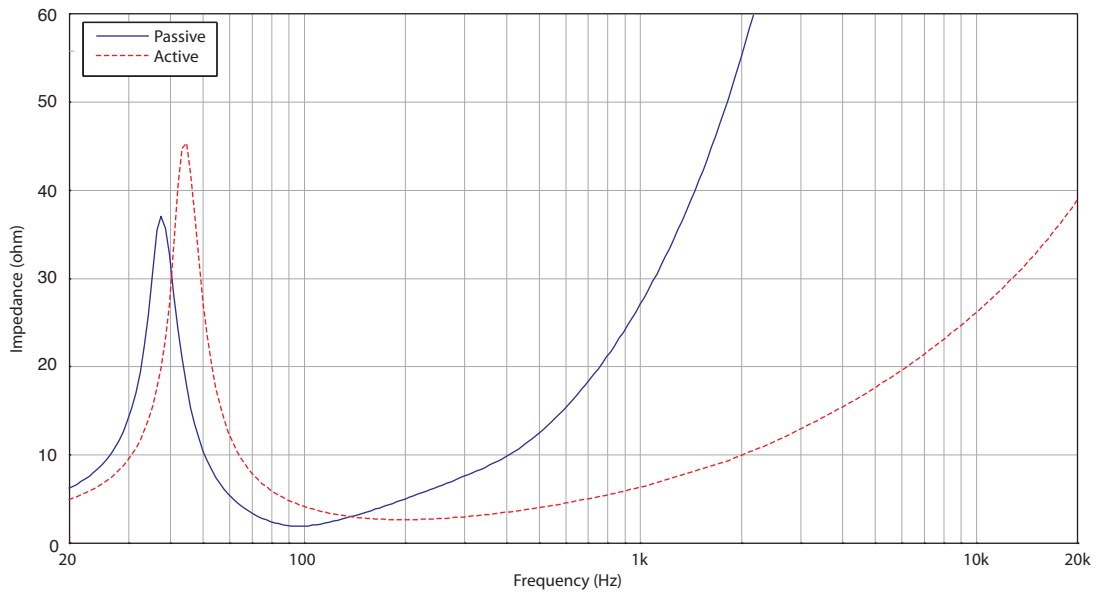
# iW 62S-WH

2 x 6" In-Wall Subwoofer (White)

## Frequency Response Sensitivity 1 W / 1 m



## Impedance

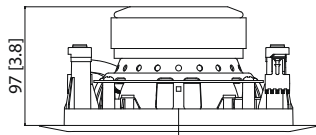


Install

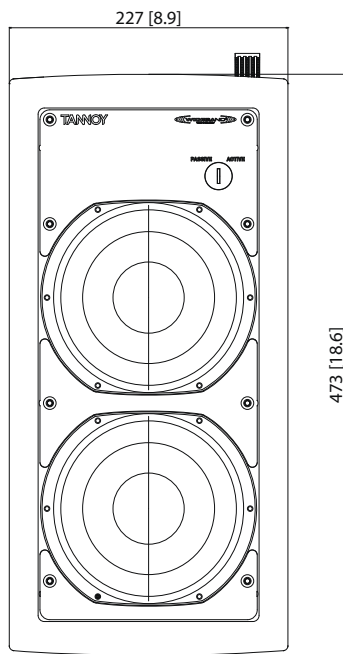
# iW 62S-WH

2 x 6" In-Wall Subwoofer (White)

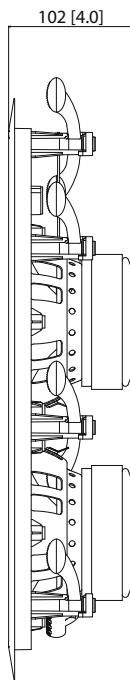
## Dimensions



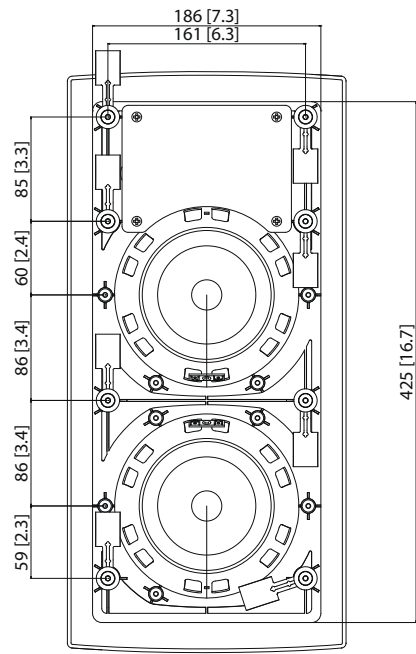
BOTTOM



FRONT



SIDES



BACK

## Install

# iW 62S-WH

2 x 6" In-Wall Subwoofer (White)

## Technical Specifications

### Performance

Frequency response ( $\pm 3$ dB)	Passive: 29 Hz - 110 Hz; Active: determined by controller
Frequency response (-10 dB)	Passive: 29 Hz - 110 Hz; Active: determined by controller
Low frequency alignment (-6 dB)	29 Hz
Power handling	160 W continuous, 640 W peak
Recommended amplifier power	100 - 320 W (total)
System sensitivity	94 dB (2.83 V @ 1 m)
Nominal impedance	4 $\Omega$
Rated maximum SPL	116 dB continuous, 122 dB peak
Crossover	Passive, 2nd order low-pass
Crossover point	Passive, 2nd order low-pass
Crossover HF adjustment	NA

### Transducers

High frequency	
Low frequency	2 x 165 mm (6.5") multifibre paper pulp cone
Wiring	Positive 1, positive 2, negative 1, negative 2

### Physical

Dimensions (H x W x D)	473.5 x 227 x 110.5 mm (18.7 x 8.9 x 4.4")
Mounting depth	102 mm (4")
Net weight	5.8 kg (12.8 lb)
Construction	Baffle panel: moulded UV Resistant ABS, Clamps: moulded polycarbonate
Finish	White, paintable
Grille	Powder coated perforated steel

#### Notes:

1. Long-term power handling capacity as defined in IEC standard IEC268-5
2. Averaged over specified bandwidth for half space environment. For anechoic conditions the figure is to be decreased by 3 dB
3.  $\pm 3$  dB, measured at 1 metre in anechoic chamber in a critically tuned enclosure.
4. Remove links when bi-amping or bi-wiring
5. Remove links in stereo operation

## Install

# iW 62S-WH

2 x 6" In-Wall Subwoofer (White)

## Architecture & Engineering Specifications

The in-wall subwoofer speaker shall consist of two 165 mm (6.50") low frequency transducers, mounted in an injection moulded front baffle manufactured from UV/weather resistant UL94V-0 ABS material. The system shall incorporate an optimised low pass crossover network which can be defeated for active operation. The wiring terminals shall be screw terminal connectors.

Performance of the in-wall speaker shall meet or exceed the following criteria: Frequency response measured on axis shall be 29 Hz - 110 Hz (-10 dB from rated sensitivity, measured in an IEC baffle in an anechoic chamber) with no equalization. Sensitivity shall be 94 dB (2.83 V @ 1 m). Long term power handling capacity as defined in EIA-426B test shall be 160 W, recommended amplifier power 320 W @ 4 Ohms. The nominal system impedance shall be 4 Ohms.

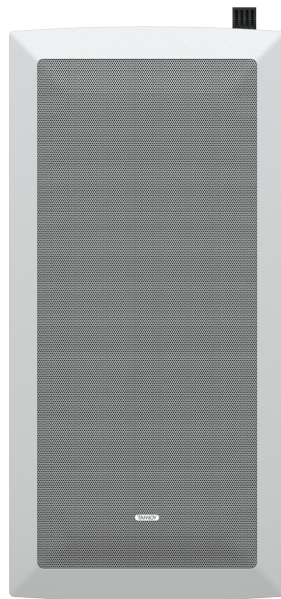
A weather resistant perforated steel grille covers the transducer. Both the grille and baffle shall be paintable. The system shall not exceed the following dimensions: 473.50 x 227 x 110.5 or 18.6 x 8.9 x 4.4 (H x W x D). Hole cut out size shall be 426.10 x 187.6 mm (16.76 x 7.39")

The [Tannoy](#) in-wall subwoofer system shall be... the iw62S-WH.

Install

# iW 62S-WH

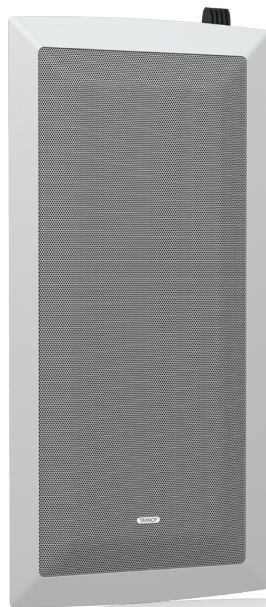
2 x 6" In-Wall Subwoofer (White)



Install

# iW 62S-WH

2 x 6" In-Wall Subwoofer (White)

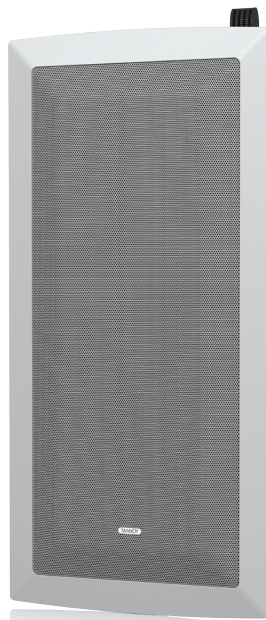




Install

# iW 62S-WH

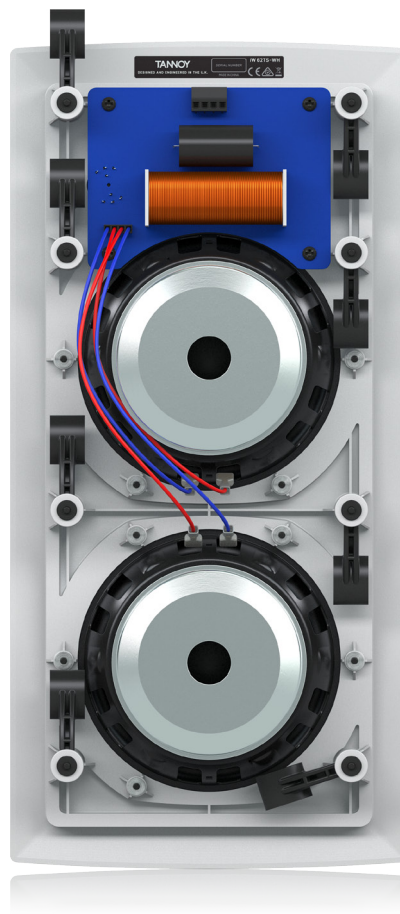
2 x 6" In-Wall Subwoofer (White)



## Install

# iW 62S-WH

2 x 6" In-Wall Subwoofer (White)



For service, support or more information contact the Tannoy location nearest you:

**Europe**  
**Music Tribe Brands UK Ltd.**  
Tel: +44156 273 2290  
Email: CARECrea@musictribe.com  
CAREnte@musictribe.com  
CARELife@musictribe.com

**USA/Canada**  
**Music Tribe Commercial NV Inc.**  
Tel: +1 702 800 8290  
Email: CARECrea@musictribe.com  
CAREnte@musictribe.com  
CARELife@musictribe.com

**Japan**  
**Music Tribe Services JP K.K.**  
Tel: +81 3 6231 0453  
Email: CARECrea@musictribe.com  
CAREnte@musictribe.com  
CARELife@musictribe.com

Music Tribe accepts no liability for any loss which may be suffered by any person who relies either wholly or in part upon any description, photograph, or statement contained herein. Technical specifications, appearances and other information are subject to change without notice. All trademarks are the property of their respective owners. Midas, Klark Teknik, Lab Gruppen, Lake, Tannoy, Turbosound, TC Electronic, TC Helicon, Behringer, Bugera and Coolaudio are trademarks or registered trademarks of Music Tribe Global Brands Ltd. © Music Tribe Global Brands Ltd. 2019 All rights reserved.

# TANNOY