



JTS[®] PROFESSIONAL CO., LTD.

No. 148, 9th Industry Road, Ta-Li Industrial Park,
Taichung City, Taiwan, R.O.C.

Tel: 886-4-24938803 Fax: 886-4-24914890

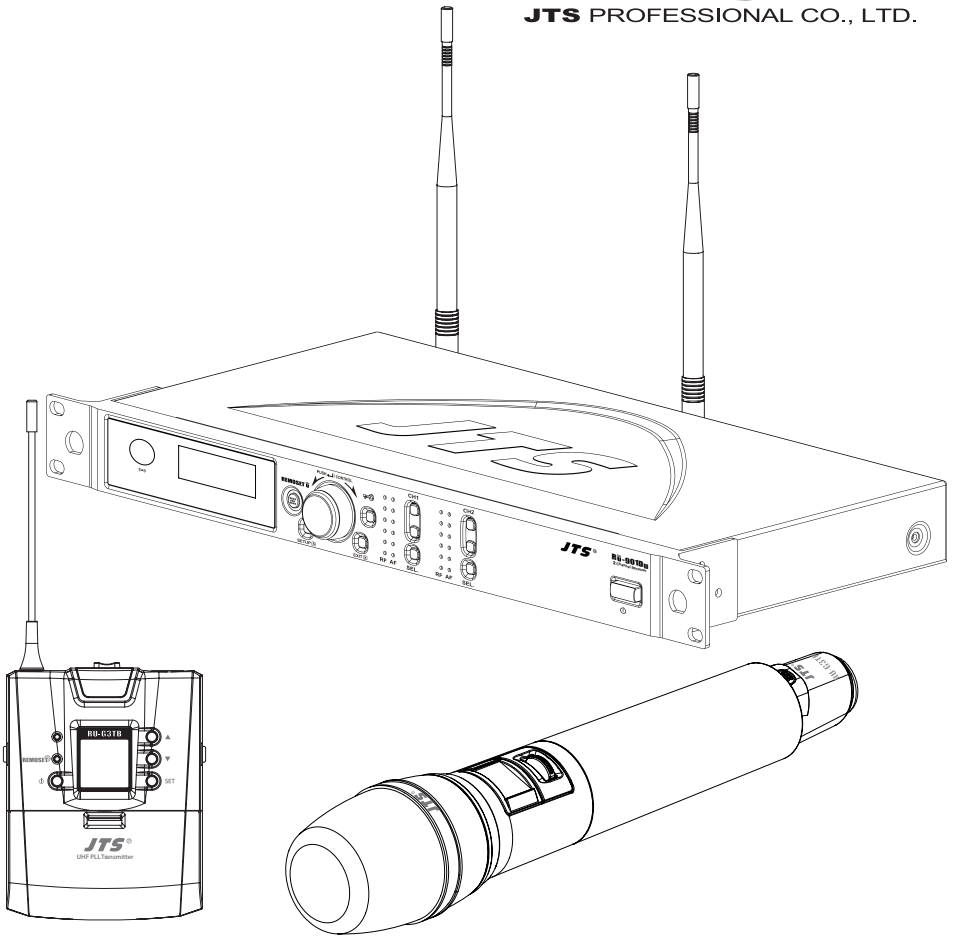
E-mail: jts@jts.com.tw

www.jts.com.tw



59508-118-01

JTS[®]
JTS PROFESSIONAL CO., LTD.



UHF PLL

RU-901Du /RU-G3TH /RU-G3TB Instruction Manual



With JTS **REMOSET**  Ultrasonic Synchronizing Technology

One year product warranty

Product Model		Equipment serial number	
Customer name		Contact number	
Address			
Purchase date			
Selling store stamp	<p>Be sure to put store stamp and fill in purchase date for the warranty to be effective!</p>		

Warranty description

1. Be sure to put the warranty label indicating purchase date on the bottom of equipment to ensure your interest in maintenance and service.
2. Product warranty, starting on the purchase date indicated on “warranty label”, will last for one year; if the equipment does not have “warranty label”, the warranty period is 15 months from the manufacturing date. If a microphone is broken but not sent back with the equipment, the warranty period is 15 months from the manufacturing date of the microphone.
3. Within the warranty period, if the equipment is broken under normal use as instructed in manual, please contact the original selling store for repair.
4. When the product is returned for repair, to facilitate proper determination of cause of malfunction and of whether repair fee is needed, please ship back the equipment and microphone together.
5. Within the warranty period, our company provides repair service at no cost except for the following conditions that parts and repair may be charged:
 - a. Damages due to natural disaster or irresistible outside forces.
 - b. Damages due to drop, water, moisture, corrosion, foreign objects, missing components.
 - c. The warranty does not cover consumable parts. (such as microphone capsule, ball grille etc.)
 - d. Those without “warranty label” on equipment or with “warranty label” being damaged and failing to identify warranty period.
6. Please keep the warranty properly. No replacement will be made if the warranty is missing.


INDEX

1. Notes for system operations	1
2. Features	1
3. Specifications	2
3-1 UHF PLL Dual-channel True Diversity receiver// RU-901Du	2
3-2 UHF PLL hand-held transmitter // RU-G3TH	3
3-3 UHF PLL body-pack transmitter // RU-G3TB	4
3-4 Optional condenser microphone	4
4. Description of parts	7
4-1 UHF PLL Dual-channel True Diversity receiver // RU-901Du	7
4-2 UHF PLL hand-held transmitter // RU-G3TH	10
4-3 UHF PLL body-pack transmitter // RU-G3TB	12
4-4 Optional remote mute switch PT-RMS	13
4-5 Optional Condenser Microphone	13
4-6 Accessories	17
5. Connecting	18
5-1 How to connect the receiver// RU-901Du	18
5-2 Transmitter installation // RU-G3TH/G3TB	19
6. Instructions for use	20
6-1 How to use// RU-901Du	20
6-2 How to use// RU-G3TH/G3TB	27
6-3 Installation of Condenser Microphones	29
7. Notes for the product	31

1. Notes for system operations

- Before connecting the power, check that the power requirement shown on the unit is the same as the power output on the adaptor supplied.
- Do not leave the unit at where the humidity and temperature are high.
- Dry your hands before operating the system.
- Keep the unit away from fire and heat source.
- Turn the volume to minimum at both the mixer and amplifier before setting up the system.

2. Features

- 3rd generation True Diversity system
- Transmission power selectable between "High" and "Low"
- 6 groups are provided as default. Every group contains up to 23 default channels.
- There are in total 1,441 channels to choose from.
- 36MHz bandwidth.
- The patented **REMOSET ** ultrasonic pairing for synchronized setting of all parameters
- Channel scan
- Adjustable receiving sensitivity
- Automatic microphone power off
- Charging contact ready

3. Specifications

3-1 UHF PLL Dual-channel True Diversity receiver // RU-901Du

Frequency Oscillation Mode	Phase-locked loop (PLL)
Carrier Frequency Range	470~960 MHz
Remoset Frequency	Ultrasonic
Diversity	Antenna diversity
Bandwidth	36MHz
Signal/Noise Ratio	>105dB(A)
Total Harmonic Distortion (Thd)	<0.6%@1KHz
Receiving Sensitivity	-95dBm , S/N>80dB
Image Rejection Ratio	>80 dB
Frequency Response	50Hz~16KHz±2dB
Antenna Type	1/2λ BNC detachable
Antenna Booster Power	DC12~15V/100mA
Function Display By	LCD
Contents Of Display	Group, channel, frequency, battery level, antenna A/ B, muting level, AF indication, RF indication, channel scanning, output level attenuation, volume indication
Control Functions	Power, group, channel, frequency, muting level, button lock, volume, output attenuation (XLR), scan ,Mix Output
Audio Frequency Output Level	Ref : ±22.5KHz Dev@1KHz Tone
	ψ6.3 Phone Jack : -10dBV
	XLR Jack : -4dBV(Line) 、 -24dBV(MIC)
Audio Frequency Output Impedance	600Ω
Muting	Noise muting and tone code locking
Output Port	2 x balanced XLR jack 2 x unbalanced φ6.3 jack
Power Supply	12~15V DC / 1A
Dimension (Mm)	212.3mm (W) x 38.3mm (H) x 144mm (L)

3-2 UHF PLL hand-held transmitter // RU-G3TH

Frequency Oscillation Mode	Phase-locked loop (PLL)
Carrier Wave Frequency Range	470~960 MHz
Remoset Frequency	Ultrasonic
RF Power Output	10mW/50mW(as per local regulations)
RF Stability	<±10KHz@Fc
Modulation Frequency Shift	±48KHz
Harmonic Radiation	<-50dBc
Display By	LCD+LED
Controls	Power, mute, group, channel, frequency, sensitivity adjustment, auto off, button lock, RF power
Battery	AA alkali battery or MiNH rechargeable battery x 2
Charging	Yes
Dimension	51mm (W) x 269mm (H) x 26mm (L)

3-3 UHF PLL body-pack transmitter // RU-G3TB

Frequency Oscillation Mode	Phase-locked loop (PLL)
Carrier Wave Frequency Range	470~960MHz
Remoset Frequency	Ultrasonic
RF Power Output	10mW/50mW(as per local regulations)
RF Stability	<±10KHz@Fc
Modulation Frequency Shift	±48KHz
Harmonic Radiation	<-50dBc
Functions	Mute, auto off, input level attenuation, sensitivity adjustment, low power indication, RF power
Display By	LCD+LED
Input Port	4 pin Mini XLR
Controls	Power, mute, group, channel, frequency, sensitivity adjustment, input level attenuation, auto off
Battery	AA alkali battery or MiNH rechargeable battery x 2
Charging	Yes
Dimension	62mm (W) x 80.3mm (H) x 22.6mm (L)

3-4 Optional condenser microphone

Lavaliere microphone // CM-501 CM-201i CM-125i

Model	CM-501	CM-201i	CM-125i
Connector	4-pin mini XLR	4-pin mini	4-pin mini XLR
Frequency Response	100~15,000 Hz	XLR60~15,000 Hz	50~18,000 Hz
Polar Pattern	Cardioid	Omni-directivity	
Sensitivity (at 1000Hz)	-60 ± 3dB	-60 ± 3dB	-53 ± 3dB
Impedance	2.2K Ω		4.4K Ω
Max. SPL for 1% THD	130dB		
Dimension (mm)	Ø10.1mm (W) x 26.4mm (H)	Ø5mm (W) x 9mm (H)	Ø4mm (W) x 11mm (H)
Net Weight	21.5g	20.7g	7g (cable not included)

Headset microphone

Model	CM-214i	CM-214Ui	CM-214ULi
Connector	801C4 (4P Mini XLR)	4P Mini XLR	801C3 (3P Mini XLR) 801C4 (4P Mini XLR) 801CS (3.5 stereo plug)
Option Connector	801C3 (3P Mini XLR) 801CS (3.5 stereo plug) 801CR		801CR
Frequency Response	60~15,000 Hz	30~18,000 Hz	100 ~ 18,000Hz
Polar Pattern	Omni-directional	Cardioid	
Sensitivity (at 1000Hz)	-60±3 dB	-68±3 dB	-65±3 dB
Impedance	1.8kΩ	680Ω	1.8kΩ
Max. SPL for 1% THD	130dB		120dB
Dimension(mm)	125mm(W) x 134mm(H)x 157mm(D)	205mm(W)x 134mm(H)x 157mm(D)	125mm(W)x 134mm(H)x 157mm(D)
Net Weight	32.9g	38.4g	18g (cable excluded)

Model	CM-235i	CX-504
Connector	801C4 (4P Mini XLR)	4P Mini XLR
Frequency Response	50~18,000 Hz	30~18,000 Hz
Polar Pattern	Omni-directional	Cardioid
Sensitivity (at 1000Hz)	-53 ± 3dB	-68 ± 3dB
Impedance	1.8kΩ	680Ω
Max. SPL for 1% THD	130dB	130dB
Dimension(mm)	155mm(W)x 134mm(H)x 157mm(D)	285mm(W)x 55mm(H)x 111.3mm(D)
Net Weight	17g (cable excluded)	56.3g

Ear-hook microphone // CM-801 CM-804i CM-8015 CM-825i

Model No	CM-801 / CM-804i	CM-8015 / CM-825i
Connector	801C4 (4P Mini XLR)	801C4 (4P Mini XLR)
Option Connector	801C3 (3P Mini XLR) 801CS (3.5 stereo plug) 801CR	801C3 (3P Mini XLR) 801CS (3.5 stereo plug) 801CR
Frequency Response	60~15,000 Hz	50~18,000 Hz
Polar Pattern	Omni-directional	Omni-directional
Sensitivity (at 1000Hz)	-64±3 dB	-53±3 dB
Impedance	1.8kΩ	1.8kΩ
Max. SPL for 1% THD	130dB	130dB

Compatible Instrument Microphone // CX-500 CX-500F CX-520 CX-508W CX-516W





Model No	CX-500	CX-500F	CX-520
Connector	4P Mini XLR	4P Mini XLR	4P Mini XLR
Frequency Response	20~20,000 Hz	20~20,000 Hz	50~16,500 Hz
Polar Pattern	Omni-directional	Omni-directional	Supercardioid
Sensitivity (at 1000Hz)	-58±3dB	-58±3dB	-78±3dB
Impedance	1.5kΩ	1.5kΩ	600Ω
Max. SPL for 1% THD	130 dB	130 dB	148 dB
Good For	Violin	Flutes	Harmonica

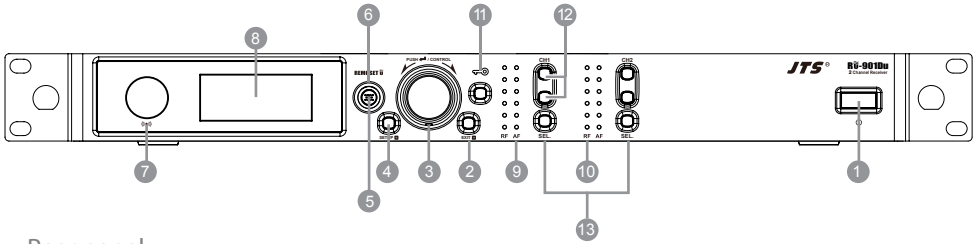
Model No	CX-508W	CX-516W
Connector	4P Mini XLR	4P Mini XLR
Frequency Response	50~18,000 Hz	30~18,000 Hz
Polar Pattern	Cardioid	Cardioid
Sensitivity (at 1000Hz)	-67±3 dB	-67±3 dB
Impedance	220Ω	220Ω
Max. SPL for 1% THD	130 dB	130 dB
Good For	Winds	Accordion

4. Description of parts

4-1 UHF PLL Dual-channel diversity receiver(True Diversity) // RU-901Du

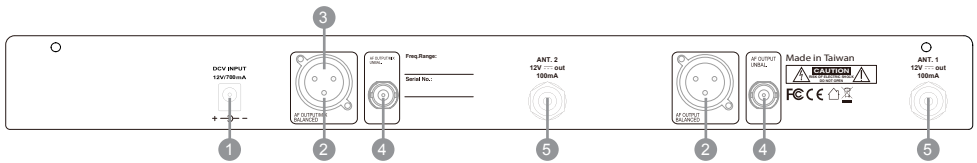
Front panel

- ① **Power ON/OFF:**
ON : push once to turn on.
OFF : push and hold until "Power OFF" is shown on the LCD to turn off.
- ② **EXIT:** Push exit to cancel a selection or exit from the current menu when RU-901Du is in the "setting menu."
- ③ **Rotary Switch:** when in the "function menu," turn the switch to select the desired function; push the switch (or SETUP) to enter the selection and spin the switch to select the setting. Push [SETUP] to save the setting.
- ④ **SETUP:** Push and hold for 2 seconds to enter the "setting menu." Push SETUP to save the setting once the selection and setting are made according to "3. Rotary Switch."
- ⑤ **REMOSET ** : this allows user to synchronize the transmitter after modifying a parameter. Push " **REMOSET ** " to synchronize the settings to the transmitter.
- ⑥ **Remoset indicator:** this shows the current pairing status. It flashes rapidly when data is being transmitted and the flashing stops when the synchronization is completed. However, the flashing slows down if synchronization fails after a period of time of pairing attempt.
- ⑦ **Ultrasonic transmission unit:** it transmits digital pairing data at ultrasonic frequency. When setting, direct the ultrasonic receiving element of the microphone to the ultrasonic transmitting unit of the receivers. The effective range is 30° on both sides with the optimized distance at 30cm.
- ⑧ **LCD display:** See "Receiver LCD display instructions."
- ⑨ **AF:** indicates the current strength of audio frequency signals.
- ⑩ **RF:** indicates the current strength of radio frequency signals.
- ⑪ **Key lock:** push and hold for 2 seconds to lock all keys, and again to unlock.
- ⑫ **Volume keys:** push / keys to adjust the volume between 0 and -31dB.
- ⑬ **Selection key:** push this button
 - a. Push SETUP to enter the setting for the selected channel for parameter settings.
 - b. Push REMOSET to transmit the setting data to the transmitter in this selected channel.

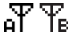






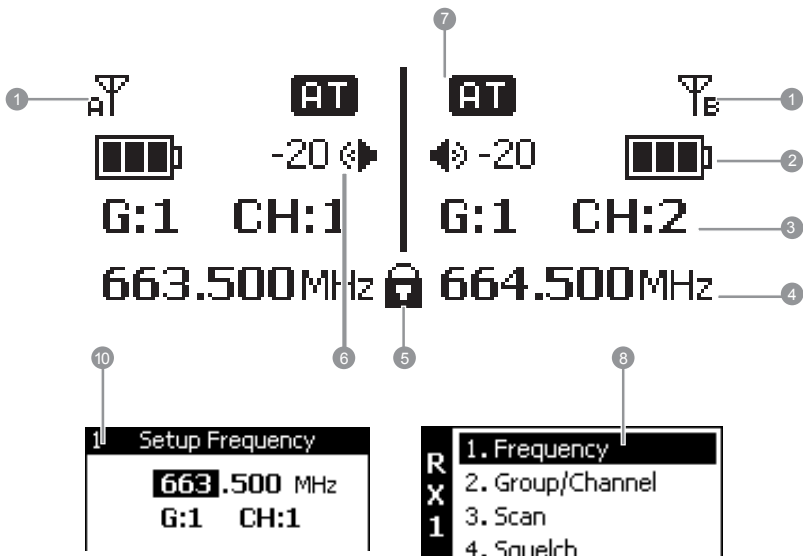
Rear panel

- ① **DC power socket:** for 12~15V DC / 1A power supply
- ② **XLR audio jack:** balanced audio signal output
- ③ **XLR audio jack:** balanced audio signal output after mixing
- ④ **Ø6.3 audio output jack:** unbalanced audio signal output after mixing
- ⑤ **Antenna A (B) input terminal:** BNC antenna input jack that also provides DC12V/100mA output.



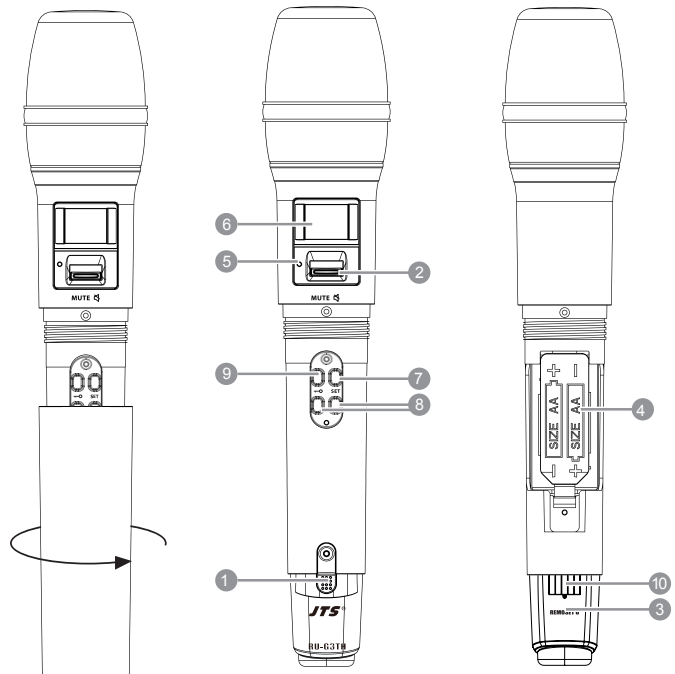
Content Displayed under the Non-Setting Mode:

- ①  :Antenna Selection A/B.  The Receiver is mute.
- ②  : Transmitter Battery Level
- ③ **G:1 CH:1** :Frequency (Group/Channel)
- ④ **663.500MHz** : Frequency
- ⑤  : Key Lock (Key Lock ON)
- ⑥ **-20**  : Volume
- ⑦ **AT** : Output attenuation ON
- ⑧ Setup Menu
- ⑨ RX1: Set the Receiver's Channel 1. RX2: Set the Receiver's Channel 2.
- ⑩ 1: Set the Receiver's Channel 1. 2: Set the Receiver's Channel 2.



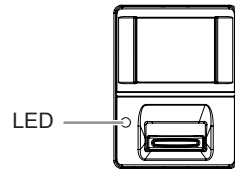
4-2 UHF PLL hand-held transmitter // RU-G3TH

- 1 **Power:** push to turn the transmitter on. When the transmitter is on, push and hold for 2 seconds to turn it off.
- 2 **Mute:** while the transmitter is on, switch Mute up to talk and down to mute. If the transmitter is off, switch the Mute up to turn the unit on. The transmitter turns itself off automatically after 1, 10 or 30 minutes of muting depending on setting.
- 3 **Ultrasonic receiving unit:** it receives pairing signals from the ultrasonic transmission unit at the receiver end.
- 4 **Battery holder:** it holds UM3, AA 1.5V battery or rechargeable battery x 2.
- 5 **LED indicator:** it shows the transmitter's status, including battery level, mute and pairing indication.
- 6 **LCD display:** it shows the parameter settings in the transmitter.
- 7 **SET:** it allows parameter settings, including frequency, group, channel, sensitivity, transmission power, auto off countdown and machine code.
- 8 **▲/▼:** these are used with "SET" to change the parameter settings.
- 9 **↔:** push and hold the "LOCK" button for 2 seconds to lock the buttons. Push and hold again for 2 seconds to unlock.
- 10 **Charging contact:** if rechargeable batteries are used, this microphone can be recharged with an optional charger.



Indicators

Green	Battery > 2V
Flashing green	Microphone mute
Red	Battery ≤ 2V
Alternating red and green	Microphone mute (and battery low)
Blue	Pairing successful
Flashing blue	Data receiving error



Others

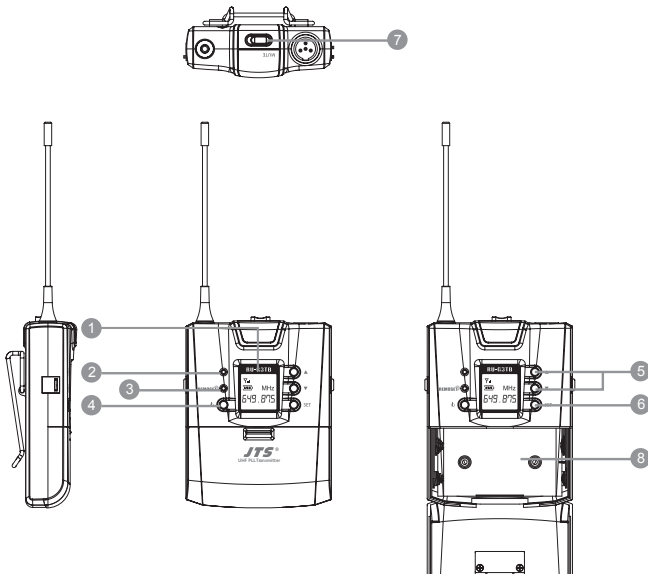
Battery charging is supported. The transmitter turns off automatically when charging.

When battery is < 1.8V, the transmitter will turn off automatically.

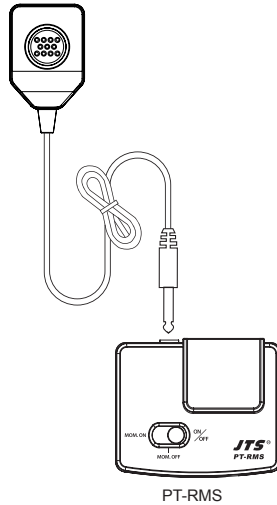
If the microphone is turned off with the mute switch on mute, just slide the switch up to turn the microphone on.

4-3 UHF PLL body-pack transmitter // RU-G3TB

- 1 **LCD display**
- 2 **Ultrasonic receiving unit:** it receives the pairing signals from the ultrasonic transmission unit at the receiver end.
- 3 **REMOSET indicator:** Blue : Pairing successful
Flashing blue : Date receiving error
- 4 **Power:**
 - (1)On: push the power button
Off: push and hold the power button for 2 seconds till the display shows "Power Off"
 - (2)Exit Setting Menu: when in the Setting Menu, push the power button to return to the main screen.
- 5 **▲/▼:** these are used with "SET" to change the parameter settings.
- 6 **SET:** to set and save
- 7 **Mute Switch / LED Indicator :**
 - (1)Show green light when power is on.
 - (2)Show red light when battery level is too low.
 - (3)Flash red light when switch to "MUTE" function to mute the transmitter.
 - (4)Flash red light and green light when mute function is on and battery level is too low.
- 8 **Battery tray**



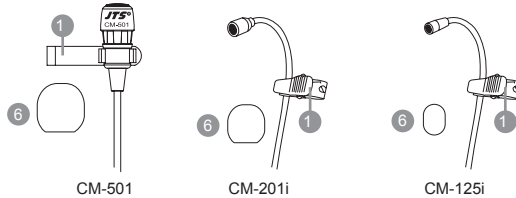
4-4 Optional remote mute switch PT-RMS



4-5 Optional Condenser Microphone

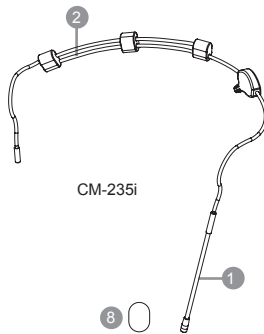
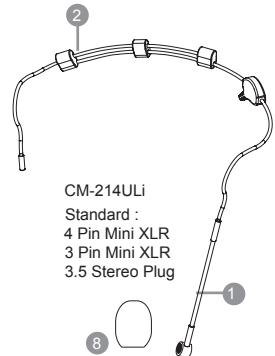
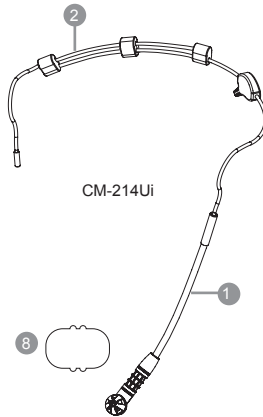
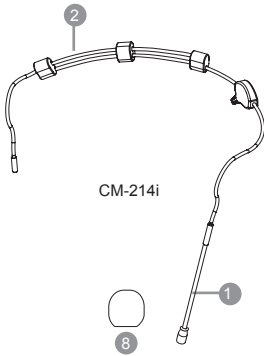
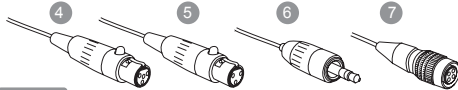
Lavaliere Microphone // CM-501 CM-201i CM-125i

- ① Clip
- ② 4 Pin Mini XLR
- ③ 3 Pin Mini XLR Option
- ④ 3.5 Stereo Plug Option
- ⑤ 4Pin Hirose connector Option
- ⑥ Windscreen



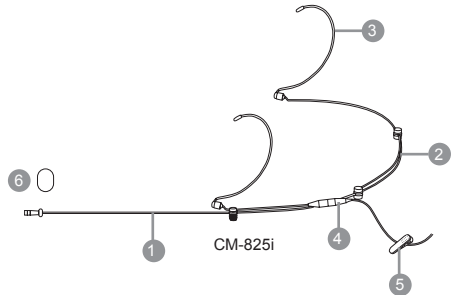
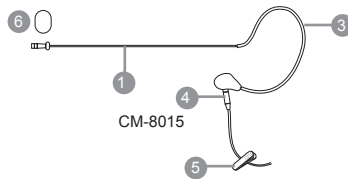
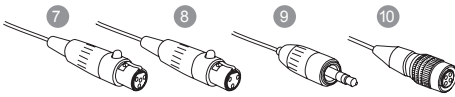
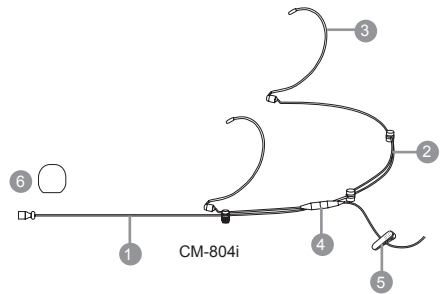
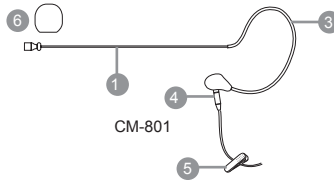
Headset Microphone // CM-214i / CM-214Ui / CM-214ULi / CM-235i / CX-504

- 1 Gooseneck
- 2 Adjustable headband
- 3 Headband
- 4 4 Pin Mini XLR
- 5 3 Pin Mini XLR Option
- 6 3.5 Stereo Plug Option
- 7 4Pin Hirose connector Option
- 8 Windscreen



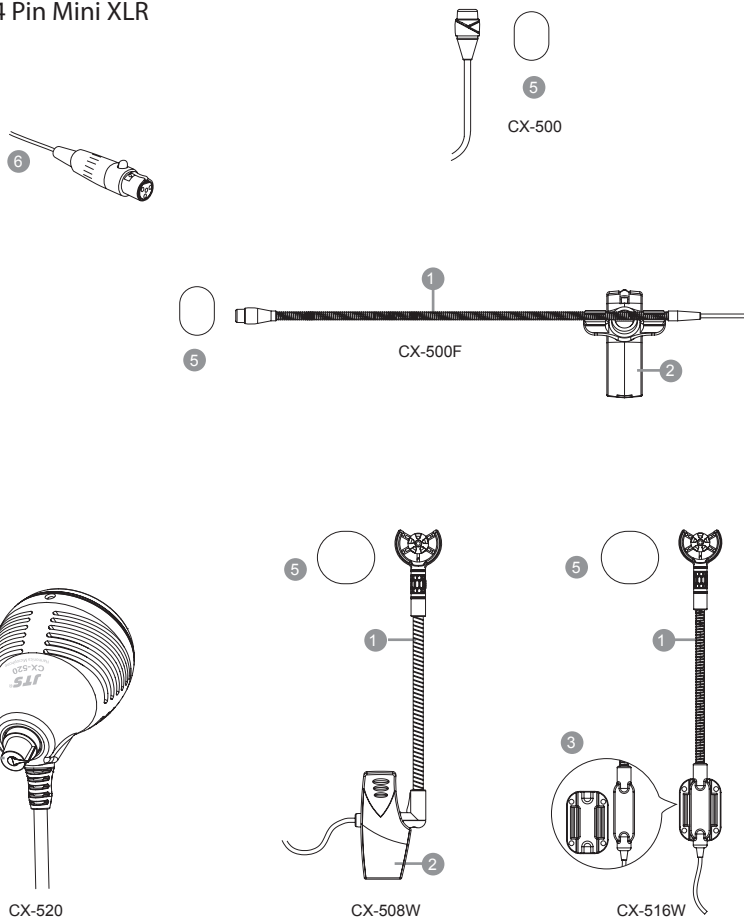
Ear-hook Microphone // CM-801 / CM-804i / CM-8015 / CM-825i

- 1 Boom
- 2 Adjustable Headband
- 3 Adjustable ear hook
- 4 Detachable Cable
- 5 Cable Clip
- 6 Windscreen
- 7 4 Pin Mini XLR
- 8 3 Pin Mini XLR Option
- 9 3.5 Stereo Plug Option
- 10 4Pin Hirose connector Option



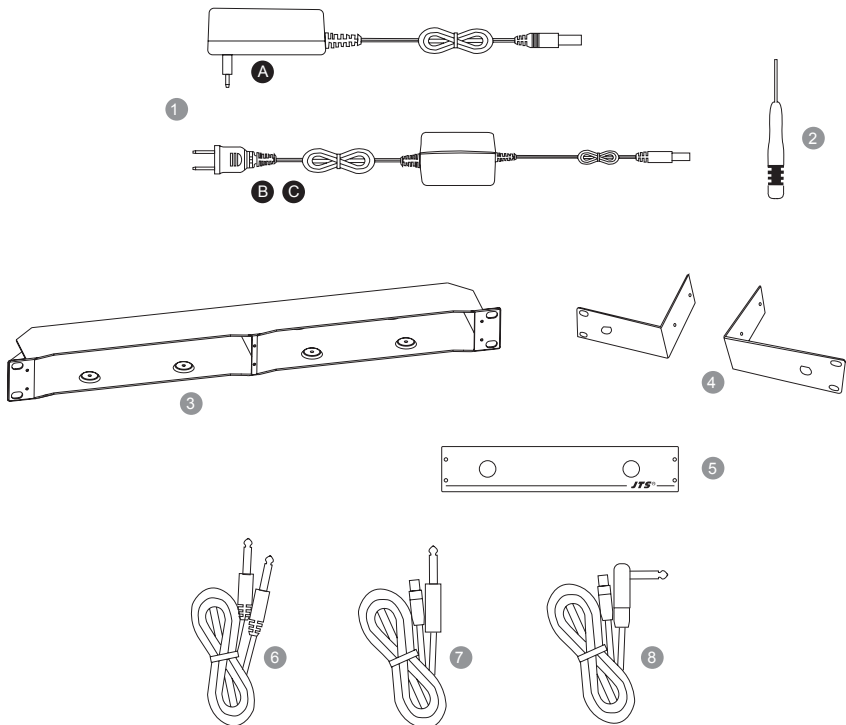
Compatible Instrument Microphone // CX-500 / CX-500F / CX-520 / CX-508W / CX-516W

- ① Gooseneck
- ② Clip
- ③ Bracket
- ④ Volume Control
- ⑤ Windscreen
- ⑥ 4 Pin Mini XLR



4-6 Accessories

- 1 AC/DC adaptor
 - A Switching Power Supply(100V~240V , 50~60Hz)
 - B Linear Power Supply (220V , 50Hz) Option
 - C Linear Power Supply (220V , 60Hz) Option
- 2 Screwdriver
- 3 DR-900 Dual Rack Adaptor Option
- 4 RM-901 Rack Mount Kit Option
- 5 RP-900 Panel Cover Option
- 6 AF output cable (with $\Phi 6.3$ plug at both ends)
- 7 GC-80/GC-100 Guitar Cable Option
- 8 GC-80L/GC-100L Guitar Cable Option



5. Preparing Procedures

5-1 How to connect the receiver// RU-901Du

1. Connect the audio output of receiver to mixer or amplifier

1.1RU-901Du :

- (1) The XLR output jack or 6.3mm unbalance output jack can be selected individually to connect the AF output to a mixer or amplifier for volume control.
- (2) Switch the “Mixed” on the back to ON. This allows to mix the RX1 and RX2 signals to RX1’s 6.3mm non-balance output jack and then to a mixer or amplifier for volume control.

2. Connect the power

2.1. Connect the AC/DC adaptor:

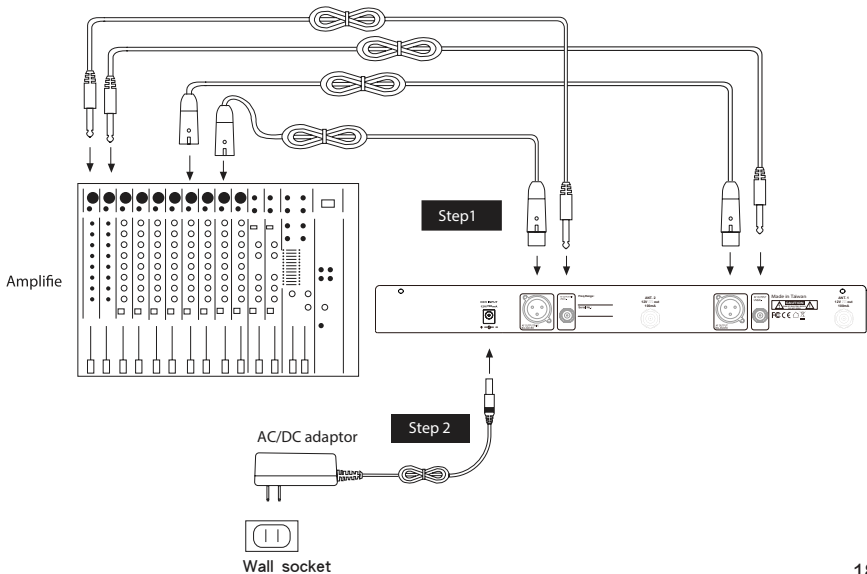
Check that the DC current and voltage ratings of the adaptor match the label on the unit. Connect the DC terminal to the “DC input” port on the unit, and the AC end to an AC socket.

2.2. Set the parameters:

Turn the power on and set the parameters of receiver according to the setting instructions.



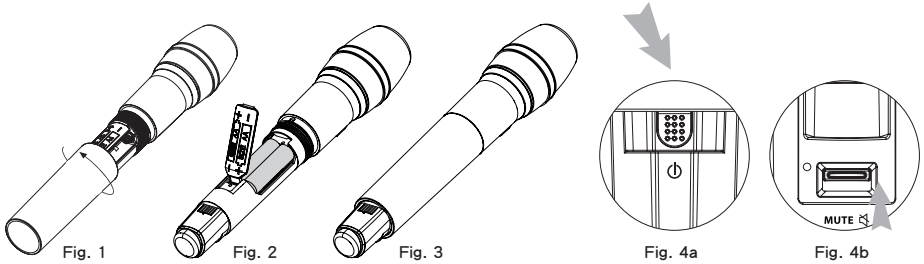
Caution! Secure the power cable on the fastening hook of anti-pulling clip in order to prevent the power cable from falling.



5-2 Transmitter installation // RU-G3TH

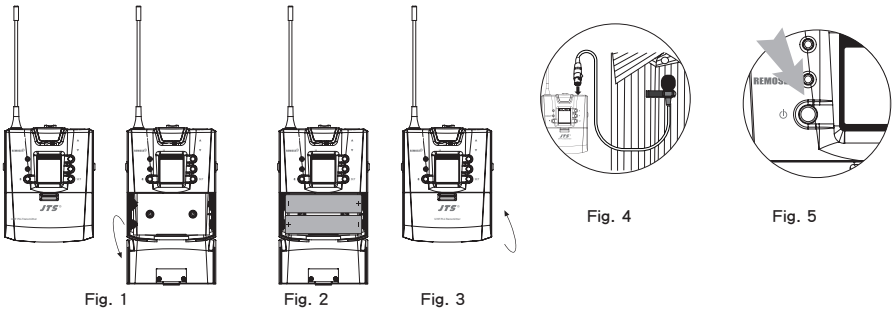
The Mute button on the hand-held unit also triggers the power-on. That's why the unit is on as soon as the batteries are replaced. Therefore, if you do not wish to turn on after changing the batteries, keep the Mute switch on mute.

1. Unscrew the outer tube of the transmitter (Figure 1).
2. Place 2 AA batteries in the battery holder while make sure they are in the correct polarities (Figure 2).
3. Screw the outer tube on (Figure 3).
4. To turn the unit on:
 - a. Push the power button to turn on (Figure 4a), or
 - b. Push the Mute switch up also to turn the unit on (Figure 4b).
5. Set the transmitter parameters according to the instructions.



G3TB

1. Slide the battery holder cover downwards (Figure 1).
2. Place 2 AA batteries in the battery holder while make sure they are in the correct polarities (Figure 2).
3. Slide the battery holder cover upwards to close (Figure 3)
4. According to the type of microphone, insert the 4-pin mini XLR jack in MIC IN to complete the installation (Figure 4).
5. Push the Power button to turn the unit on (Figure 5).
6. Set the transmitter parameters according to the instructions.

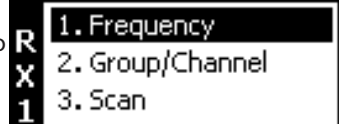


6. Instructions for use

6-1 How to use// RU-901Du

Press and hold the SETUP key for 2 seconds to enter the Setup Menu. Turn the Rotary Switch to select the item to be set, and press SETUP again to enter the settings.

✕ Press EXIT to return to the previous item. Note that the set value will not be saved.



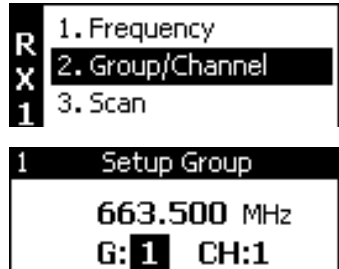
◎Frequency Setting

Adjust the left 3 digits of the Frequency. Turn the Rotary Switch to change by "+/-" 1 MHz each time. Press the SETUP key after adjustment is completed. Adjust the right 3 digits of the Frequency. Turn the Rotary Switch to change by "+/-" 0.025MHz each time. After the setup is completed, press the SETUP key to save the set value.



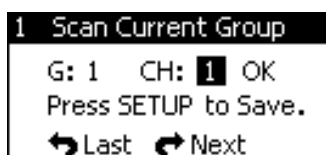
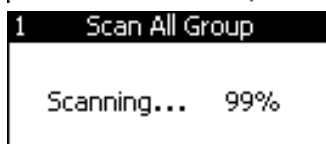
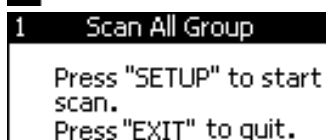
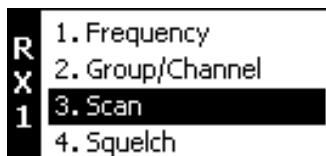
◎Default Group

Turn the Rotary Switch to select Group "G:" ; Press the SETUP key adjustment is completed. Turn the Rotary Switch to adjust Channel "CH:" After adjustment is completed, press the SETUP key to save the set value.



◎The Scanning Function

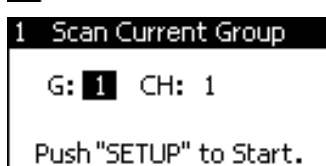
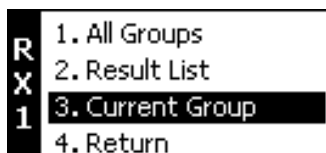
Scan All Groups. Press the SETUP key to start scanning. After the scan is completed, the “Scan Results List” screen will be displayed automatically. Users can also click on the menu to enter the “Scan Results List” directly.



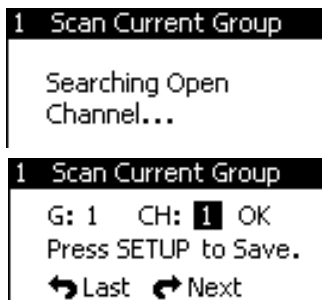
“Scan Results List”: Press the SETUP key to enter the menu screen and view the scan results. Select the available channels, and press the SETUP key to save the settings.



Scanning the current Group: Upon entry into the screen, turn the Rotary Switch to select the group to be scanned, and press SETUP to start scanning. Press ▲ to search for the previous available Channel.

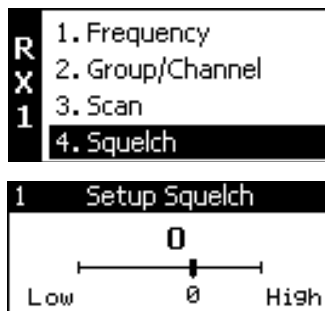


右旋 to search for the next available Channel. Press the SETUP key to save the settings.



◎Receiver Sensitivity

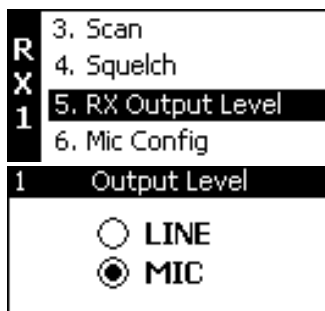
+10 ~ -5: The higher the value, the lower the Receiver Sensitivity; the lower the value, the higher the Receiver Sensitivity. Default Value is 0.



◎Output Attenuation

右旋 to set the balanced output level for Line to Line output.

左旋 to set the balanced output level for Mic to Mic output.



◎Microphone Options: Turn the Rotary Switch to select the item to be adjusted. Press SETUP, and then turn the Rotary Switch to select the settings to be adjusted, and then press SETUP to return to the item selection.



Sensitivity

Scope of Adjustment:

-15dB~+15dB ; Default Value is 0.

R X 1	Sensitivity	0 dB
	Attenuate	OFF
	RF Power	Low
	Auto OFF	30 Min

R X 1	Sensitivity	0 dB
	Attenuate	OFF
	RF Power	Low
	Auto OFF	30 Min

Input Attenuation

ON	Audio input is attenuated by 20dB. (Depending on whether the transmitter has this function)
OFF	Not Attenuated (Default Value)

This function only applies to the Waist-Mounted Transmitter RU-G3TB.

R X 1	Sensitivity	0 dB
	Attenuate	OFF
	RF Power	Low
	Auto OFF	30 Min

R X 1	Sensitivity	0 dB
	Attenuate	OFF
	RF Power	Low
	Auto OFF	30 Min

Radio Frequency Power

High	High Transmitting Power 50mW
Low	Low Transmitting Power 10mW(Default Value)

R X 1	Sensitivity	0 dB
	Attenuate	OFF
	RF Power	Low
	Auto OFF	30 Min

R X 1	Sensitivity	0 dB
	Attenuate	OFF
	RF Power	Low
	Auto OFF	30 Min

Automatic shutdown (when the Microphone is muted)

OFF	This function is turned off.
1 min	Automatic shutdown after 1 minute
10min	Automatic shutdown after 10 minutes
30min	Automatic shutdown after 30 minutes

R X 1	Sensitivity	0 dB
	Attenuate	OFF
	RF Power	Low
	Auto OFF	30 Min

R X 1	Sensitivity	0 dB
	Attenuate	OFF
	RF Power	Low
	Auto OFF	30 Min

Synchronization Options

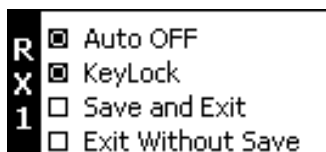
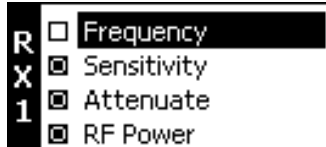
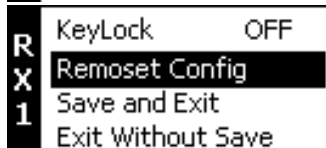
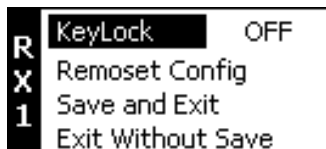
Turn the Rotary Switch to select **REMOSET** and synchronize transmission of the setup items, and then press the SETUP key to perform the selection action.

- Frequency
- Sensitivity
- Input Attenuation (RU-G3TB only)
- Radio Frequency Power
- Automatic shut-down
- Digital Audio Code
- Key Lock
- Save and Exit
- Return

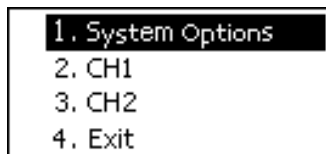
◎Key Lock

(Digital anti-interference function)

ON	Key Pad Lock ON
OFF	Key Pad Lock OFF

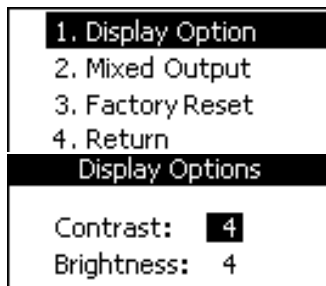


◎System Settings



◎Display Settings

Contrast	0~7 (Default Value4)
Brightness	0~7 (Default Value4)



◎Mixed Output

ON	混音開始
OFF	混音開關

將RX1和RX2的聲音混在一起，然後由RX2輸出。

1. Display Option
- 2. Mixed Output**
3. Factory Reset
4. Return

◎Reset to original manufacturer settings

1. Display Option
2. Mixed Output
- 3. Factory Reset**
4. Return


This will erase all user data from receiver's Internal Storage.

◎Exit the Setup Screen.

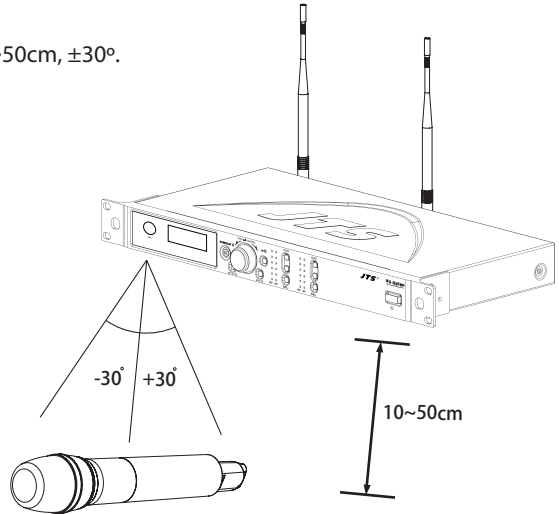
Press the SETUP key to exit the setup screen and return to the home screen.

1. System Options
2. CH1
3. CH2
- 4. Exit**

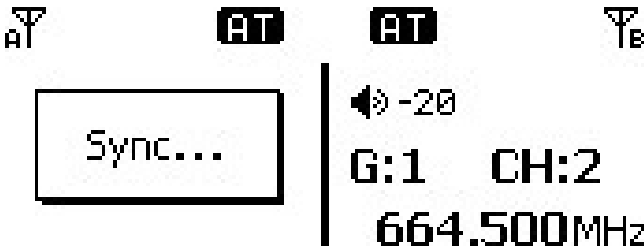
Pairing **REMOSET**

Once the parameters are set, push the “ **REMOSET**  ” button and the digital pairing data will be sent to the transmitter via ultrasonic transmitter for parameter synchronization. The indicator will flash rapidly while the data are being transmitted. When the synchronization is completed, the receiver will receive the corresponding data and the indicator will stop flashing. If the signal is not received for a certain period of time, the indicator will flash slowly to inform pairing failure (the slowly flashing indicator can be reset by pushing any button).

Note: The best pairing distance is 10~50cm, $\pm 30^\circ$.



Note2: Only one Microphone can be synchronized at a time. When RX1 is synchronized, RX2 cannot be synchronized. RX2 must wait until RX1 is disconnected from synchronization.



Others

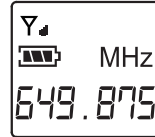
The transmitter's battery level is also shown on the LCD display. If the battery level is $\leq 2V$, the frame around the battery level will flash and the backlight turns into red as a warning

6-2 How to use// RU-G3TH/G3TB

Push and hold the SET button for 2 seconds to enter the setting mode, and push the ▲/▼ button to select different parameters. Push the SET button again to save and exit the setting mode.

◎ FREQ: frequency setting

In 1MHz	Select frequency with ▲/▼
In 0.025MHz	Select frequency with ▲/▼



Select the number of frequency first in MHz and then in 0.025MHz.

◎ Group / channel

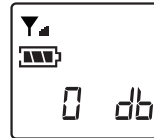
G: group	Select default group 1~6
CH: channel	Select default channel, 1~23 maxSelect default channel, 1~23 max



Select the number for group and then the number for channel.

◎ Microphone input sensitivity

Normal sensitivity	GAIN : +15dB
	GAIN : +14dB
	GAIN : ?
	GAIN : +2dB
	GAIN : +1dB
	GAIN : 0dB (default)
	GAIN : -1dB
	GAIN : -2dB
	GAIN : ?
	GAIN : -14dB
GAIN : -15dB	

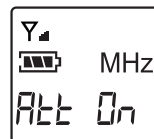


It shows the sensitivity is now at GAIN 0dB (default setting).

◎ ATT microphone audio input attenuation

Att oFF	No attenuation at audio input
Att on	20dB attenuation at audio input

Only for RU-G3TB



It shows the audio input attenuation at 20dB.

◎ RFP: RF microphone power

rFP Lo	10mW(default)
rFP Hi	50mW



The RF output is LOW.

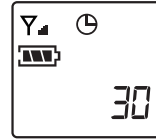


The RF output is Hi.

◎ AUTO-OFF: Automatic microphone off countdown under mute status

OFF	This function is deactivated
1	1 minute countdown to turn off
10	10 minute countdown to turn off
30	30 minute countdown to turn off

(The default setting is 10 minute.)



◎ Key Lock

Loc On	Lock ON
Loc OFF	Lock OFF



Others

Battery charging is supported. The transmitter turns off automatically when charging.

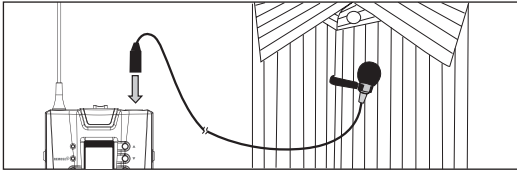
When battery is < 1.8V, the transmitter will turn off automatically.

If the microphone is turned off with the mute switch on mute, just slide the mute switch up to turn the microphone on.

6-3 Installation of Condenser Microphones

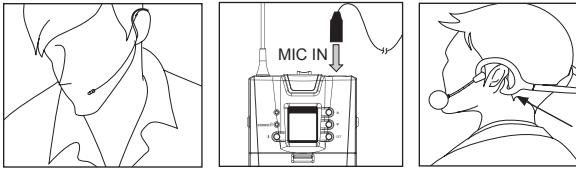
(1) Lavalier microphone

Attach lavalier microphone to a tie, lapel, where is suitable for sound pick-up. Plug the connector into input socket on the body-pack transmitter.



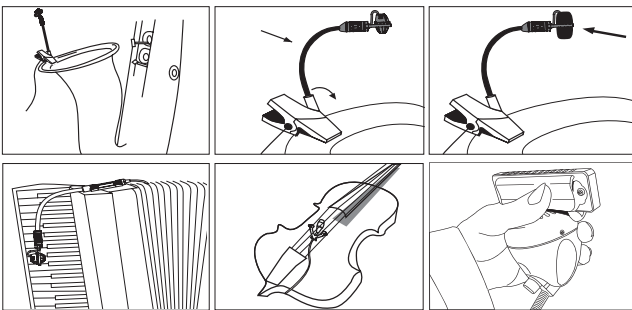
(2) Headset microphone

Put the headband behind your head, and fix the temples on your ears as shows, then adjust the gooseneck to have best miking. Plug the connector into input socket on the body-pack transmitter.



(3) Instrument Microphones

The system is compatible with JTS various instrument microphones. For detail please refer to user's manuals of these microphones.



(4) Ear-hook Microphone

1. Lightweight Dual Ear Hook Microphone

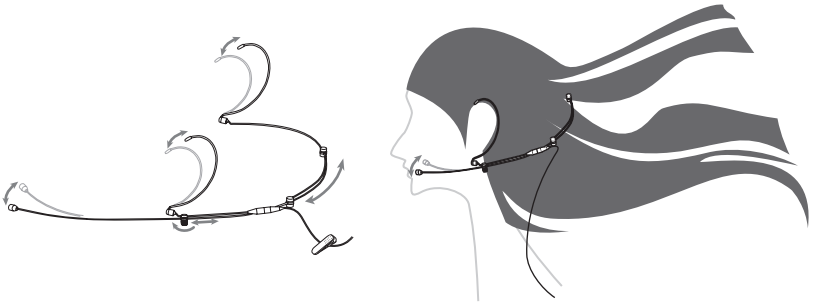
Try on whether the headset is fit.

Adjust the headband to a suitable width.

Tighten or loosen the curve of the ear-hook by twisting the loop or expanding it.

Curve and bend the boom to fit your face.

Attach the detachable cable to a suitable place by a cable clip.



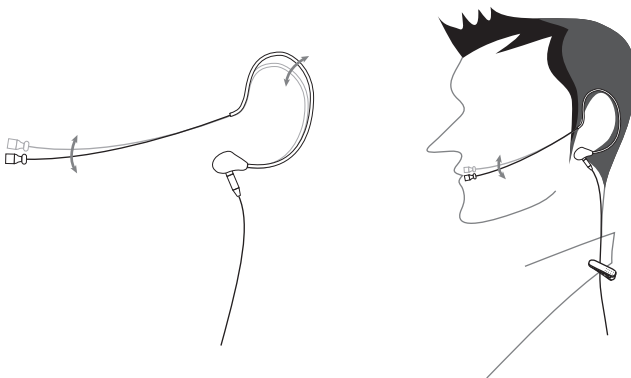
2. Lightweight Single Ear Hook Microphone

Try on whether the original curve is tight or loose.

Re-try and push the fixed curve against your earlobe.

Curve and Bend the boom to fit your face.

Attach the detachable cable to a suitable place by a cable clip.



7. Notes for the product

- (1) For the best signal receiving quality, always keep the receiver within 3m of the transmitter.
- (2) The receiver and transmitter shall be away from other metal objects, preferably 50cm or farther.
- (3) Do not point the microphone directly to a speaker, or there will be feedbacks.
It is recommended to hold the transmitter (microphone) at the middle section for the best pickup.
- (4) In case that the transmitter will not be in use for an extended period of time, the batteries shall be removed from the battery holder to prevent damage to the transmitter due to leak of battery electrolyte solution.
- (5) For the best power performance, it is recommended to change both batteries or use the products of the same manufacturer when they are to be changed.