



INSTALLATION AND OPERATION MANUAL

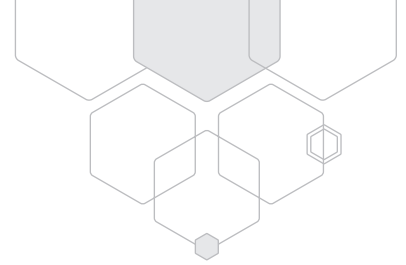
QUICK FIT

PREMIUM COAXIAL SERIES

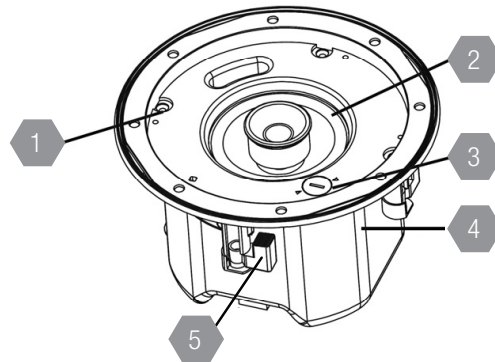
QF20CS / QF60CS / QF80CS



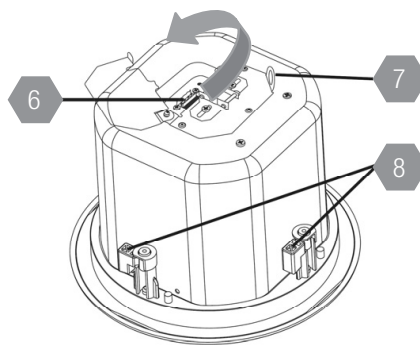
SPEAKER DIAGRAM



TOP PANEL



REAR PANEL



- 1 Attachment Screws
- 2 Loudspeaker Driver
- 3 Tap Selector
- 4 Steel Backcan
- 5 Rotating Mounting Tab

- 6 Euroblock
- 7 Safety Hook
- 8 Rotating Mounting Tabs



INSTALLATION

To ensure a reliable installation, please follow these steps carefully:

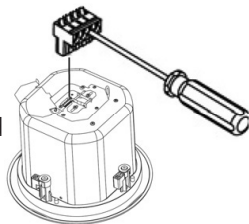
1. Assemble the speaker mounting bracket (see graphic below) by taking one of the alignment beams and sticking it under the groove in the “C” shaped speaker mounting bracket. Place in the desired install location and use 2 screws and 2 washers to connect. Repeat this process on the other side while making sure the holes line up evenly.

* **Note** only the QF60CS and the QF80CS ship with ceiling tile bridges.



2. Determine the speaker position, taking into account any obstructions in the ceiling space. Note that a clearance of 222mm above the lower face of the ceiling is required. The cutout diameter is 273mm.

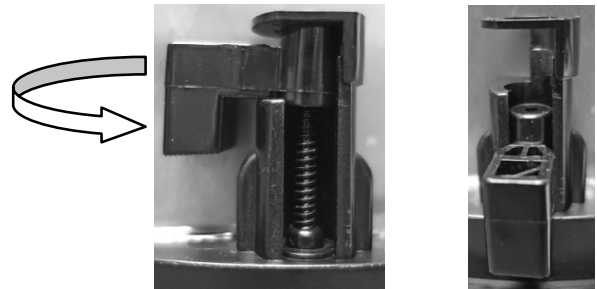
3. Remove the ceiling space and position the speaker mounting bracket so that the “C” shaped speaker mounting bracket fits the hole that you cut. Use a metal safety wire with a snap hook (sold separately) and loop it around a truss/beam on one end. Use a screw to mount the safety wire by fastening the speaker mounting bracket into the truss/beam that the safety wire is looped around. Make sure the screw head covers the surface area of the screw hole.



4. Remove the supplied 4-pin Euroblock from the speaker and connect it to the speaker cable (see graphic).

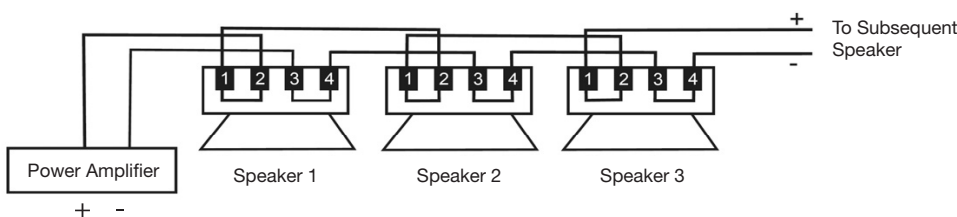
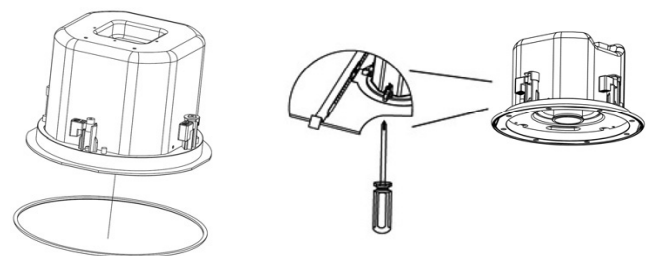
5. Use the provided loop-through terminals (see graphic below). When this wiring method is used, you should be aware that when a speaker is not plugged in there is no path to subsequent speakers. An alternative is to wire incoming and outgoing cables in parallel. Pin 2 is + and Pin 3 is -.

6. Insert the pre-wired Euroblock connector, ensuring the correct polarity is being used.
7. Begin to insert speaker into the “C” shaped speaker mounting bracket. Make sure to connect the snap hook to the safety hook on the back of the speaker. When the speaker is flush with the ceiling leaving only the black magnetic brim exposed, begin to tighten the 4 attachment screws which are connected to the mounting tabs (see graphics below). The screws will automatically turn once you begin rotating the screw clockwise. Repeat for all 4 tabs and make sure not to overtighten the screws.

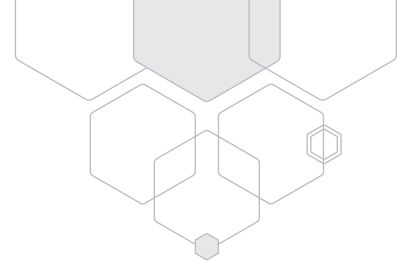


Note: Before you put the speaker into the ceiling, make sure all attachment screws are turned completely counter-clockwise so that the mounting tabs are touching the side of the steel backcan.

Note: Make sure to position the speaker so that the mounting tabs do not sit above the opening in the “C” shaped speaker mounting bracket.



INSTALLATION (CONT.)



8. Use a flat-head screwdriver to rotate the Tap Selector so that the correct power setting is adjacent to the arrow. Note that there are separate 70V and 100V scales, depending on the line voltage being used (see graphic). The transformer may also be bypassed by selecting the 16 ohm position. It may be best to leave the grille off until setting the power is complete in case adjustments are needed.
9. Attach the magnetic grille on the speaker.



ENGINEERED BY AUSTRALIAN MONITOR

Address: Unit 1, 2 Daydream Street, Warriewood NSW 2102 Australia

Website: www.australianmonitor.com.au

International enquiries email: international@australianmonitor.com.au

ABN 86 003 231 187