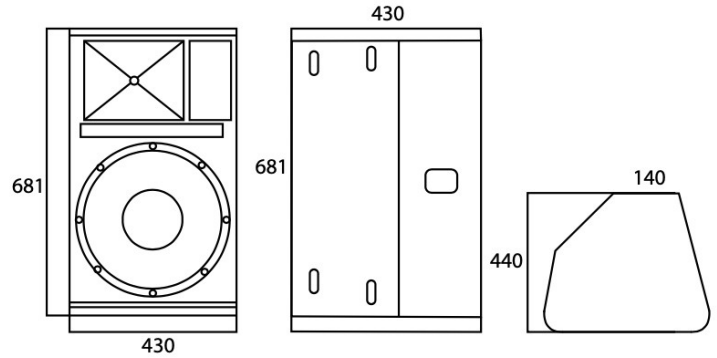




ICONIC

PH15-44



Dimension(WxHxD) : 430x681x430 mm

SPECIFICATION

Model name :	PH15
Type :	Passive Crossover
Frequency range :	45 Hz-20 kHz
Rated system power :	350 W Rms 700 W continuous
Max.SPL :	125 dB
Impedance :	8Ω
LF transducer :	3 inch voice coil 15" Low Frequency
HF transducer :	1.75" 44 mm voice coil
Dispersion :	90 ° x 60 ° Coverage horn
Weight :	(19.10 kg)

TECHNOLOGY

FIR PRESET	USER PRESETS	TRANSDUCER SYNCHRONIZED
FLAT & NATURAL PRESET	LIGHT WEIGHT	WOOD CABINET

SUGGESTED APPLICATION

PORTABLE MAIN PA	LIVE STAGE	STAGE MONITOR	AEROBIC COURT
CLUB/RESTAURANT	MEETING ROOM	TEMPLE INSTALLATION	KARAOKE SYSTEM