

▶ INTUCAB4FW50T ◀

WIDEBAND 4" INDOOR BGM SPEAKER

SPEAKER LOZ

CONCEPT

The INTUCAB™ 4FW50T is a wideband background music speaker for indoor applications where an unobtrusive appearance and mechanical ruggedness must be combined with above-average SPL and pristine sound quality. With 16 Ohms of impedance, it is perfectly suited for low-impedance applications with up to 4 speakers in parallel, and the optionally available input transformer kit makes integration with 100V systems easy as well. Catering for the ease of cabling in fixed installations, an additional 5.0mm terminal strip is provided. The mounting options include M6 and M10 mounting points, allowing for suspended mounting, truss mounting and bracket mounting. Available in black and white structural paint finish for further flexibility. For fullrange applications, a combination with the INTUCAB™ 8SM300T Subwoofer is recommended.

FEATURES

- ▶ 4" Wideband driver, 20W AES power handling
- ▶ Dual Speakon-compatible connectors (parallel)
- ▶ 5.0mm terminal strip connector in parallel
- ▶ M10 truss hook mounting point, plus 3xM6 suspension points
- ▶ 12mm MDF construction
- ▶ Structured scratch-resistant paint, black or white
- ▶ Rugged steel front grille with cosmetic rear-side foam
- ▶ 100V transformer kit option (UTK20 - sold separately)
- ▶ CE/ROHS compliant



TECHNICAL DATA

Frequency response (-3 dB).....	100Hz-15kHz
Sensitivity (1W/1m) / Max SPL.....	84dB/102.5dB
Dispersion.....	120° conical
Impedance.....	16Ω
Power Handling.....	20W (AES)
Driver / Design.....	4" wideband / closed
Material.....	12mm MDF
Surface.....	Scratch-resistant paint
IP Rating.....	20
Dimensions.....	WxDxH 130x160x138mm
Weight.....	1.95 kg

LOGISTICS DATA

Order Number (black).....	1305201
Single unit EAN-13 (black).....	5060502923004
Order Number (white).....	1305211
Single unit EAN-13 (white).....	5060502923011
Single Carton size.....	WxDxH 215x190x195mm
Single Carton gross weight.....	2.25 kg
Units per master carton.....	4
Master carton size.....	WxDxH 445x396x220mm
Master carton gross weight.....	9.5 kg
100V /20W Transformer kit (model UTK20)	
Order Number.....	1306001
Single unit EAN-13.....	5060502923394

APPLICATION EXAMPLES

Shown accessories not included.



Suspended

Coupler Mounted

Bracket Mounted



Rear panel connections



4" Wideband driver



Top mounting points



White version (white grille)

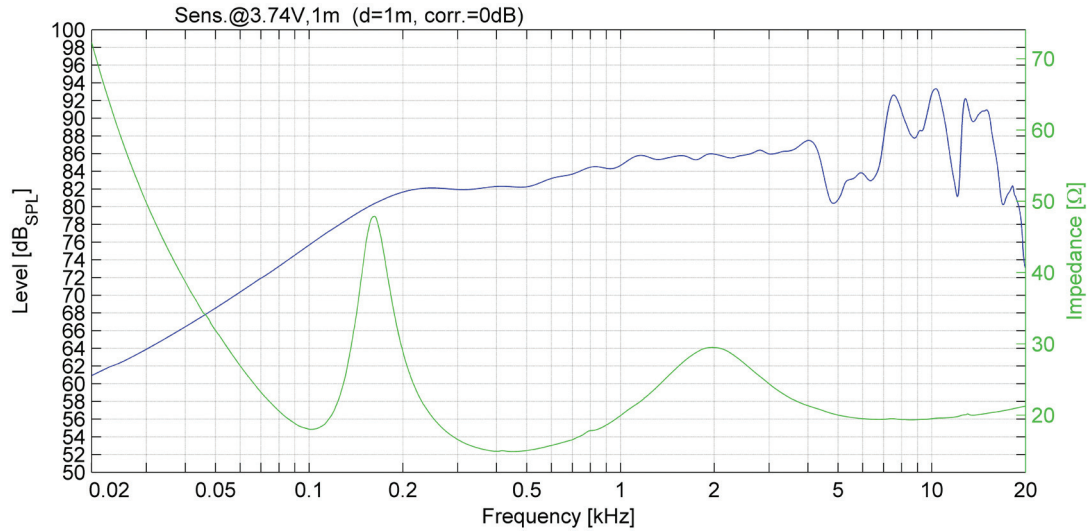
SPEAKER LOZ

INTUCAB4FW50T

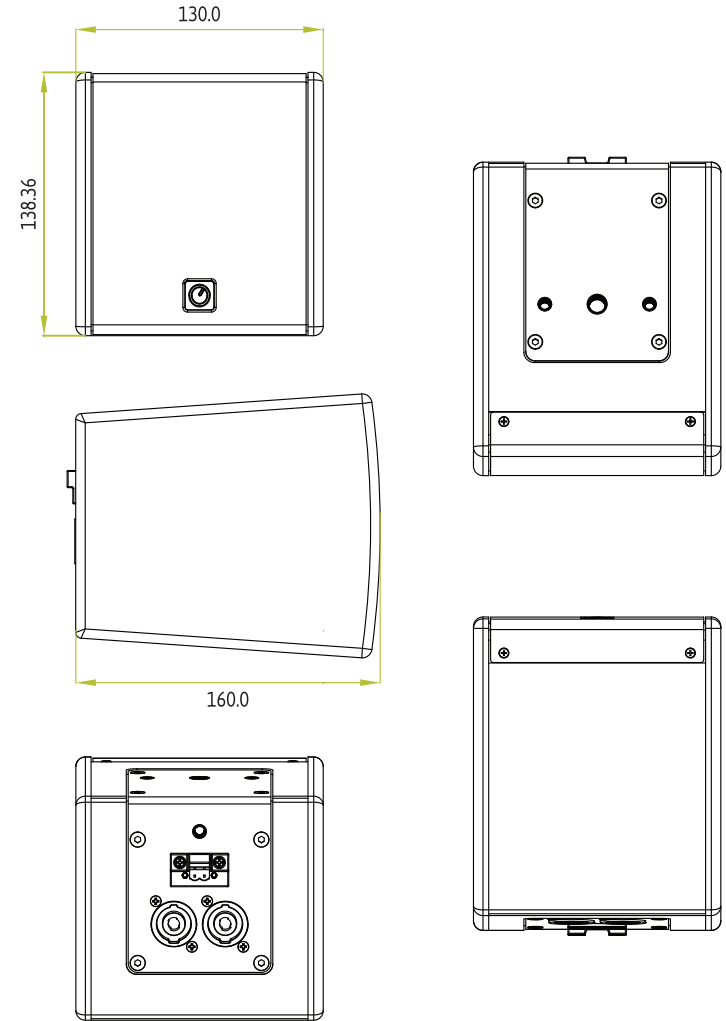
WIDEBAND 4" INDOOR BGM SPEAKER

SPEAKER LoZ

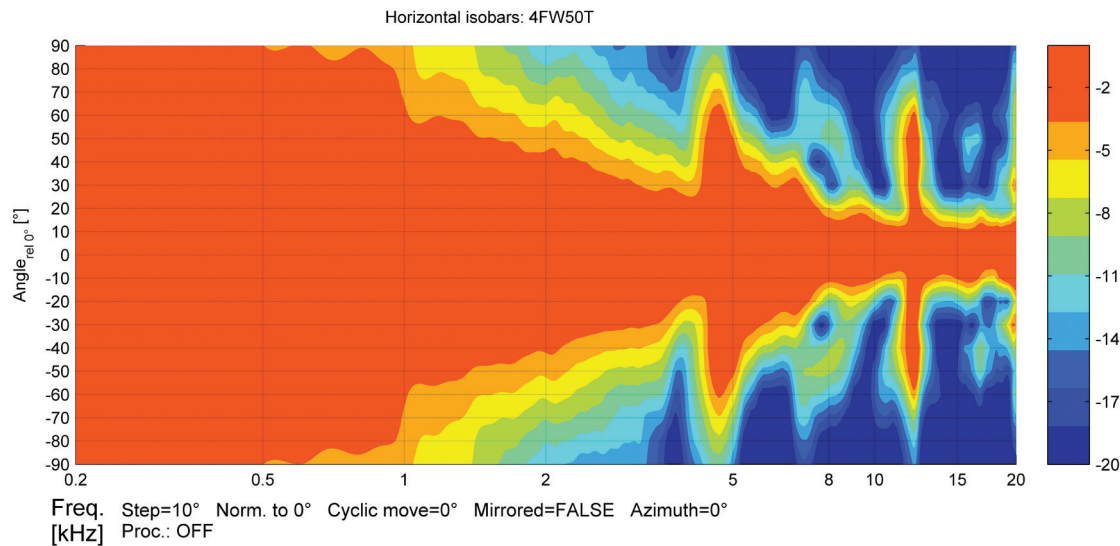
FREQUENCY RESPONSE



DIMENSIONS



DIRECTIVITY



SPEAKER LoZ