

INTUSCAPE 6FP80R

2-WAY 6" OUTDOOR BGM SPEAKER

CONCEPT

The INTUSCAPE™ 6FP80R is a compact choice to bring background music to any venue's outdoor areas. Its one-shell design from impact-proof ABS resin with a recessed baffle insert provides superior protection against rain. A PP cone woofer and a silk dome tweeter likewise withstand the rigors of outdoor use. Nonetheless, the vented design and the controlled dispersion deliver a pristine sound quality. An internal line transformer with switchable load, a real crossover - not just a capacitor - and our unique cable gland cover as well as the ball head bracket complement the elegant looks of this speaker.

FEATURES

- ▶ 6" LF driver in vented enclosure
- ▶ 1" silk dome tweeter & wide-dispersion HF wave guide
- ▶ Advanced passive crossover for best sound quality
- ▶ Audio-grade internal 100V line transformer (40W max)
- ▶ Mode switch for 8Ω / 5W / 10W / 20W / 40W settings
- ▶ 4P-5.0mm terminal strip for input & parallel output
- ▶ ABS resin body with M6 safety lug mounting point
- ▶ Structured scratch-resistant surface, black or white
- ▶ Rustproof aluminum front grille
- ▶ Multi-angle ball head bracket with stainless steel rod
- ▶ Waterproof cable gland cover with 2 mounting angles
- ▶ CE/ROHS compliant

Protected against a solid object greater than 2.5mm such as a screwdriver

IP 33

Protected against sprays of water up to 60 degrees from the vertical



Front View (grille removed)



Rear panel structure

Black and White versions available



Rear View



Side Profile

TECHNICAL DATA

Frequency response (-6 dB).....	65Hz-20.0kHz
Sensitivity (1W/1m) / Max SPL (8Ω).....	84dB / 105dB
Dispersion HxV.....	90° x 80°
Impedance.....	8Ω / 100V-5W/10W/20W/40W
Power Handling.....	65W (AES)
Drivers / Design.....	6.0" LF (vented) & 1" SDT
Material.....	ABS
Surface.....	Texture
IP Rating.....	33
Dimensions WxDxH.....	200x156x285mm
Weight.....	3.39 kg

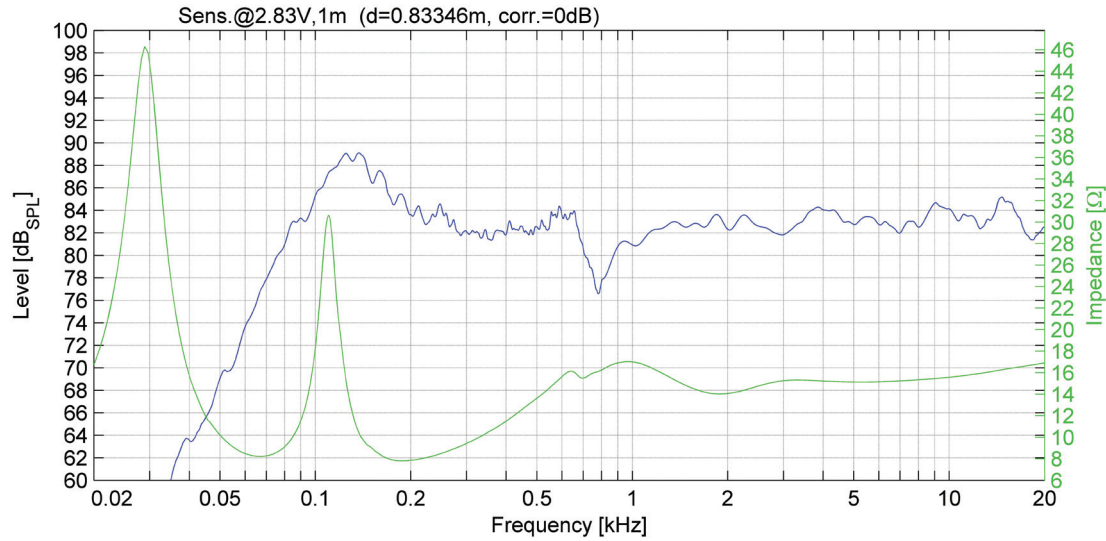
LOGISTICS DATA

Order Number (black).....	1306701
Single unit EAN-13 (black).....	5060502923486
Order Number (white).....	1306711
Single unit EAN-13 (white).....	5060502923493
Single Carton size WxDxH.....	250x210x370mm
Single Carton gross weight.....	3.75 kg
Units per master carton.....	2
Master carton size WxDxH.....	435x265x390mm
Master carton gross weight.....	8.10 kg

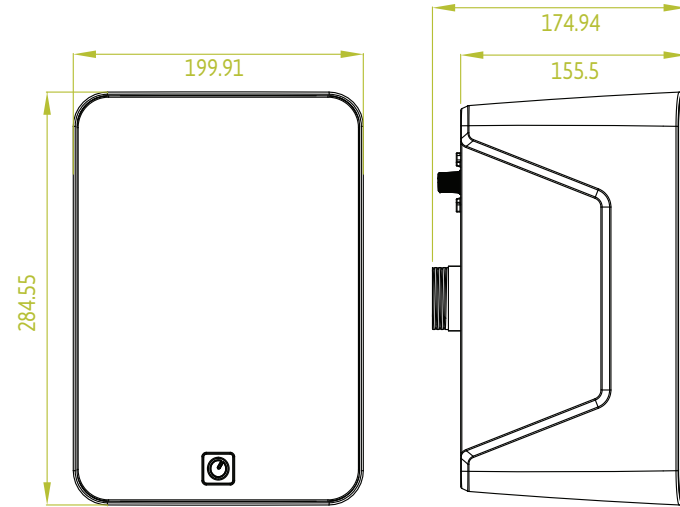
INTUSCAPE 6FP80R

2-WAY 6" OUTDOOR BGM SPEAKER

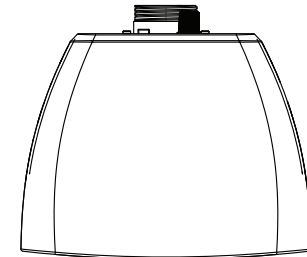
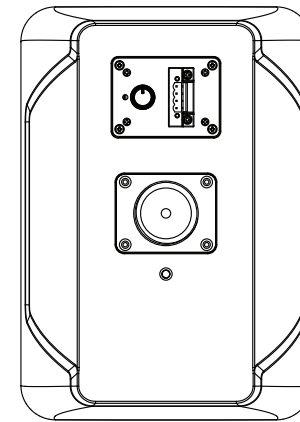
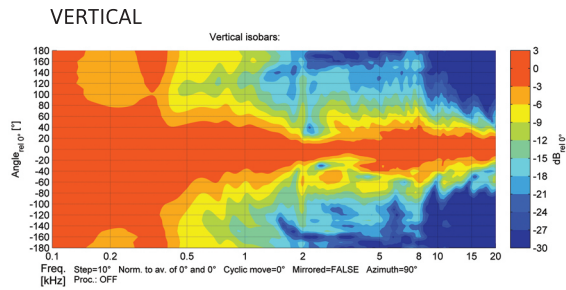
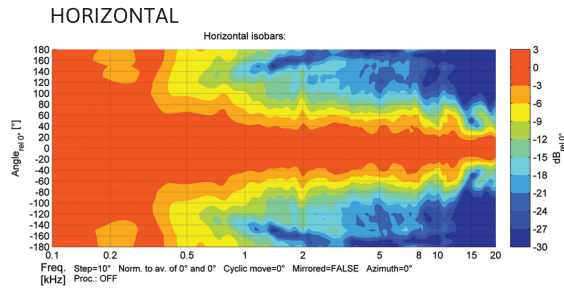
FREQUENCY RESPONSE



DIMENSIONS



DIRECTIVITY



SPEAKER LOZ / HiZ

SPEAKER LOZ / HiZ