

# X3NPro-PTH0404

---



## Specifications



## **Preface**

The Specifications describe the product components and parameter meaning of X3NPro-PTH0404, and the contents involved like text, figures, and graphics belong to Shenzhen Streamax Technology Co., Ltd. No part of the Specifications may be extracted, reproduced, translated, or modified in any form or by any means without the prior written consent of Shenzhen Streamax Technology Co., Ltd. Unless otherwise specified, the Specifications are provided without representations or warranties of any kind.

### About the Specifications:

The Specifications are intended to provide guidance for authorized users and technical support personnel of the product.

The product pictures and screen contents provided herein are for illustration only. The physical product (including but not limited to its appearance, color, and size) may differ from the displayed contents (including but not limited to the background, UIs, and pictures). Please refer to the physical product.

The figures contained herein are theoretical values obtained from the internal laboratory of Streamax Technology in a specific test environment (refer to the specific instructions). These figures may vary slightly in actual use due to the individual product differences, software version, service condition, and environmental factors.

With the real-time changes in product batches and production-supply factors, in order to provide product information, features, specifications, and parameters as accurate as possible, Streamax may adjust and modify the text, pictures, and other contents in the Specifications from time to time to match with the actual performance, specification, indexes, components, and other information of the product. Such changes and necessary adjustments may be made without special notice.

### Trademark Statement:

**Streamax** is the registered trademark of Streamax Technology. All other trademarks mentioned in this Specifications are the property of their respective holders.

### Responsibility Statement:

To the maximum extent permitted by applicable law, the products described in this Specifications (including their hardware, software, firmware, etc.) are provided "AS Available" with possible flaws, errors, or faults. Streamax makes no warranties, express or implied,

including but not limited to merchantability, quality satisfaction, fitness for particular purposes, or no infringement on the rights of third parties. The use of the Specifications or products of Streamax is at your own risk. In no event will Streamax be liable to you for any special, consequential, incidental, or indirect damages, including but not limited to damages for loss of business profits, or loss of data or documentation, in connection with such use.

You acknowledge that the nature of the Internet provides for inherent security risks, and Streamax shall not take any responsibilities for abnormal operation, data leakage, or other damages resulting from cyber-attack, hacker attack, virus infection, or other Internet security risks; however, Streamax will provide timely technical support if required.

You agree to use this product in compliance with all applicable laws. Streamax shall not take any responsibility for the product being used to infringe on the rights of a third party or for other improper purposes.

In the event of any conflicts between the Specifications and the applicable laws, the latter prevails.

Copyright © 2022 Shenzhen Streamax Technology Co., Ltd. All right reserved.

**Read the Specifications before using the product, to ensure that you will use the product correctly and all necessary functions will work properly.**



**Warning: conditions that may involve the safety of the device user or injure the device user**



**Important: conditions that may damage data integrity or firmware or hardware of the device**



**Note: additional descriptions, explanations of terms, etc.**

## Contents

<b>1.</b>	<b>PRODUCT INTRODUCTION .....</b>	<b>2</b>
<b>2.</b>	<b>PRODUCT FEATURES.....</b>	<b>2</b>
<b>3.</b>	<b>SPECIFICATIONS.....</b>	<b>3</b>
<b>4.</b>	<b>DIMENSIONAL DRAWINGS (UNIT: MM).....</b>	<b>7</b>
4.1	DIMENSION DRAWING1. (UNIT: MM) .....	7
4.2	FRONT PANEL INTERFACE: .....	8
4.3	REAR PANEL INTERFACE:.....	9
<b>5.</b>	<b>HDD INSTALLATION .....</b>	<b>10</b>
5.1	HDD INSTALLATION .....	11
5.2	EXTERNAL CABLE CONNECTOR PINOUTS .....	12
<b>6.</b>	<b>EASY TROUBLESHOOTING .....</b>	<b>13</b>
6.1	MDVR FAILS TO START .....	13
6.2	MDVR KEEPS RESTARTING .....	13
6.3	VIDEO RECORDING DOES NOT WORK .....	13
6.4	VIDEO FILES HAVE NO SOUND.....	13
6.5	GPS ABNORMALITY.....	14
6.6	DEVICE CANNOT BE SHUT DOWN IN THE IGNITION STARTUP & SHUTDOWN MODE.....	14

## **1. Product Introduction**

X3NPro-PTH0404 is a cost-effective device specially developed for mobile video surveillance and remote video monitoring, featuring high functional scalability. It is equipped with a high-speed processor and an embedded operating system, integrating state-of-the-art H.265 video compression/decompression technologies, 3G/4G/Wi-Fi network transmission technologies, and GPS positioning technologies in the IT industry. It adopts the latest processor solution and supports recordings in formats of 1080p, 720p, WD1, WHD1, WCIF, D1, HD1, and CIF. Moreover, it allows real-time local recording and wireless uploading of vehicle status data and monitoring data. It can also be used in conjunction with the center software to implement professional functions such as alarm linkage, evidence center, remote management, video playback, track analysis, etc., embodying features of high reliability, installation flexibility, and maintenance convenience.

## **2. Product Features**

- Embedded Linux operating system
- 4G/5G network technology, GPS positioning technology, WIFI/BT technology.
- Support recording with 1080P/720P resolution.
- H.265/H.264 encoding and decoding to improve the memory space utilization
- 3.5-inch hard disk storage, hard disk heating & hard disk power-off protection technologies
- Optional support for 2 sets of 2.5-inch solid state drives.
- Supports IO wake-up.
- Supports 4 channels of AHD and 4 channels of IPC.
- Supports bus dispatch and announcement functions and has a built-in interface for high-power amplifiers.
- SD card backup
- Outstanding anti-vibration performance and high reliability, providing comprehensive functions.
- Connection with storage units such as a fireproof box for disaster recovery backup

### 3. Specifications

<b>Product Model: X3NPro-PTH0404</b>	
Function Overview	Preview, video recording, playback, data transfer, and positioning
Operation System	Linux
Control Mode	CP4 Tablet, Mouse, EasyCheck App, and Network (3G/4G/Wi-Fi)
<b>Video</b>	
Input	4-channel AHD + 4-channel IPC (PON power supply)
Output	1-channel CVBS + 1-channel VGA
Total Capacity	PAL:4*1080P@25fps AHD +4*1080P@30fps IPC NTSC:4*1080P@30fps AHD +4*1080P@30fps IPC
<b>Audio</b>	
Input	4-channel AHD + 4-channel IPC
Output	1 Channel
<b>Display</b>	
Display Split	1/4/9-Screens co-display
Screen Display	Positioning information, alarms, license plate numbers, driving speed, time, etc.
Operating Interface	GUI
<b>Recording</b>	
Audio/Video Compression Format	Video: H.264/H.265 Audio: ADPCM, G.711U, G.711A
Image Resolution	AHD: PAL: 1080p (1920 × 1080), 720p (1280 × 720), WD1 (928 × 576), WHD1 (928 × 288), WCIF (464 × 288), D1 (704 × 576), HD1 (704 × 288), CIF (352 × 288). NTSC:

	<p>1080p (1920 × 1080), 720p (1280 × 720),  WD1 (928 × 480), WHD1 (928 × 240),  WCIF (464 × 240), D1 (704 × 480),  HD1 (704 × 240), CIF (352 × 240).</p> <p>IPC:  1080p (1920 × 1080), 720p (1280 × 720);</p>
Image Quality	Levels 1–8 adjustable (preferably Level 1)
Recording Trigger Mode	Startup/Scheduled/Alarm event recording
Alarm Recording Delay Time	0-30 min
<b>Video Playback</b>	
Playback Channel	1-channel local playback
Search Mode	By date/time, channel, or event
<b>Network</b>	
3G/4G	<ul style="list-style-type: none"> <li>● For Europe and Asia:  LTE FDD: B1/B3/B7/B8/B20/B28A  WCDMA: B1/B8  GSM: B3/B8</li> <li>● For Latin America:  LTE FDD: B1/B2/B3/B4/B5/B7/B8/B28  LTE TDD: B40  WCDMA: B1/B2/B5/B8  GSM: B2/B3/B5/B8</li> </ul>
WIFI	Supported protocol: 802.11a/b/g/n
5G	Optional support
Ethernet	1 × RJ45 (10/100 M)
<b>Positioning</b>	
GPS	Supported G-mouse

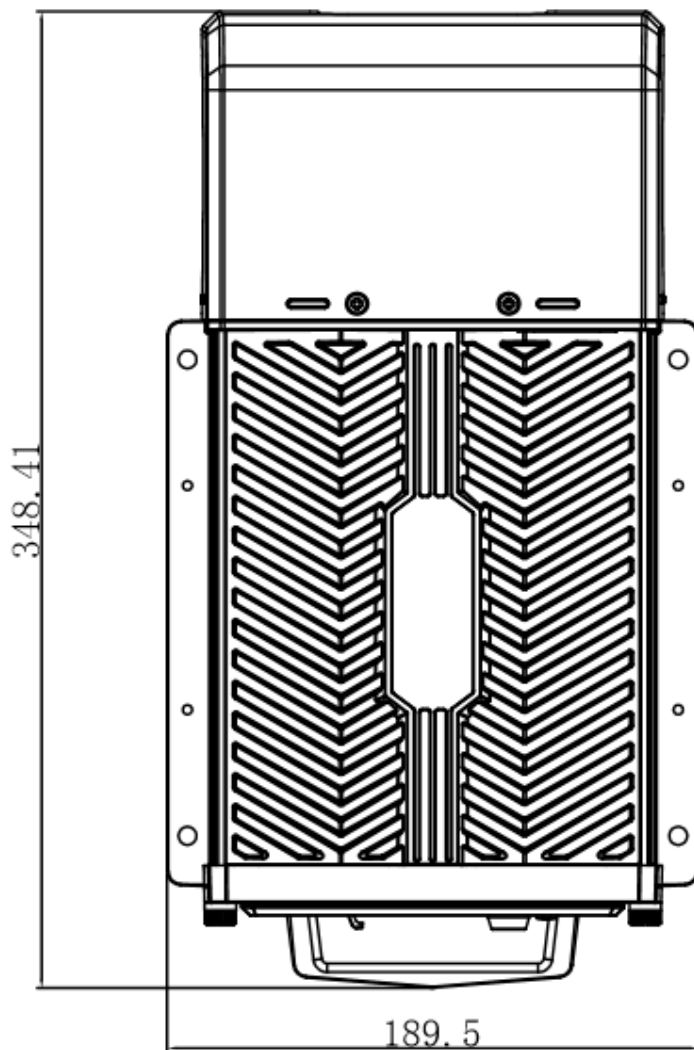
<b>Sensor</b>	
G-Sensor	Built-in 6-axis inertial sensor
<b>Storage</b>	
HDD	1 × 3.5" SATA HDD + 1 × M.2 SSD, hard disk heating supported. 2*2.5"SATA SSD (Optional)
SD	Hot-swapping 32/64/128/256 GB SDXC
<b>Port</b>	
USB	1 × USB2.0 (5pin circular connector) + 1 × USB2.0 (Type A)
SD	1 × SD card slot
SIM	1 × SIM card slot
Serial Port	2 × RS232 + 2 × RS485
CAN	1 × CAN
IO	8-channel input and 2-channel output
Pulse Speed Detection	1 channel
Control Panel	CP4 (Tablet)
Intercom	1 × MIC port (CP4)
VGA	1 × VGA
<b>Power Supply</b>	
Input	DC 8-36V
Output	5 V @ 500 mA & 12 V @ 500 mA
Maximum Typical Power Consumption	45W
Standby Power Consumption	≈ 0 W
<b>Physical Parameter</b>	
Dimensions L×W×H	348.4mm x 189.5mm x 95.7mm (with rear shield and bracket)
Net Weight (kg)	3.0 kg (without hard disks)



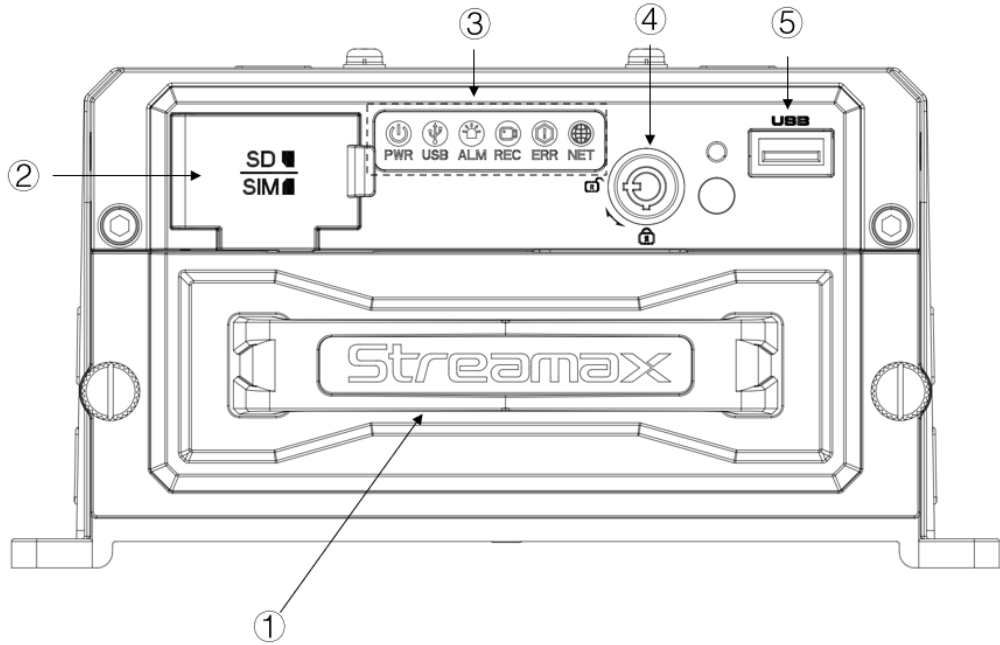
Environment	
Operating Temperature	-40°C to +70°C (heated, without hard disks)
Operating Humidity	8% to 95% (non-condensing)
<b>Packing Content:</b>	
X3NPro*1,GPS*1,4G Antenna*1,Wifi Antenna*1,Power Wire*1	
* The configuration may vary in different regions.	

#### 4. Dimensional Drawings (Unit: mm)

##### 4.1 Dimension Drawing1. (Unit: mm)

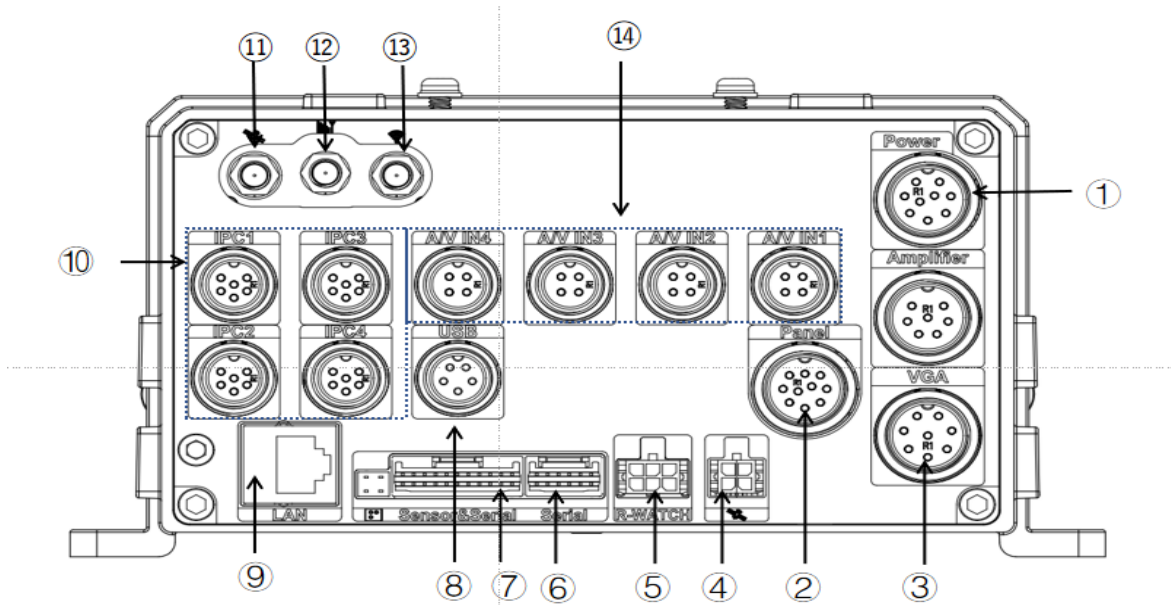





4.2 Front Panel Interface:




No.	Name
1	Hard disk case (for holding a hard disk)
2	SD/SIM card slot
3	Indicator: power (PWR), USB, alarms (ALM), recording (REC), errors (ERR), network (NET)
4	Device lock
5	USB interface

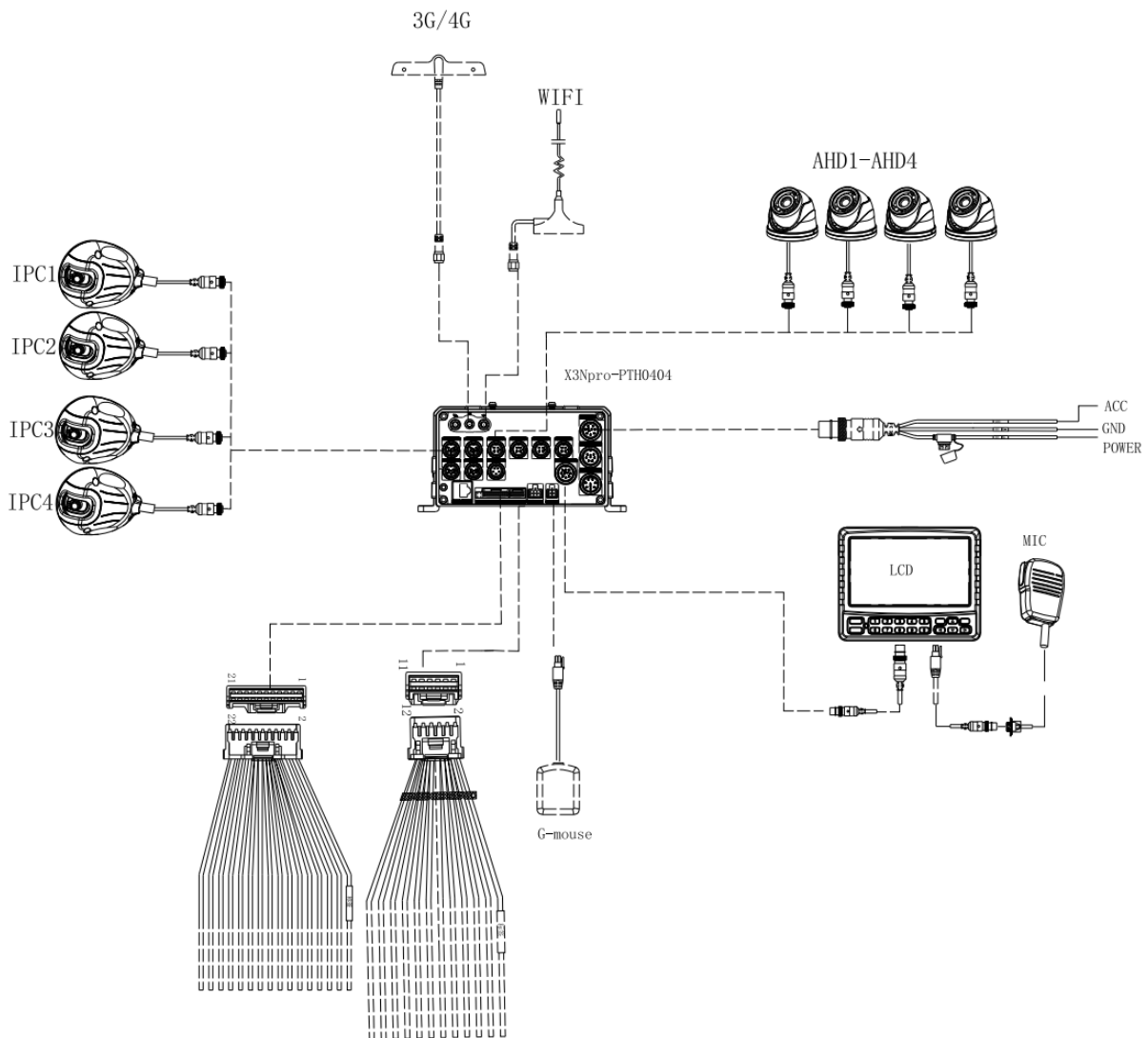
### 4.3 Rear Panel Interface:



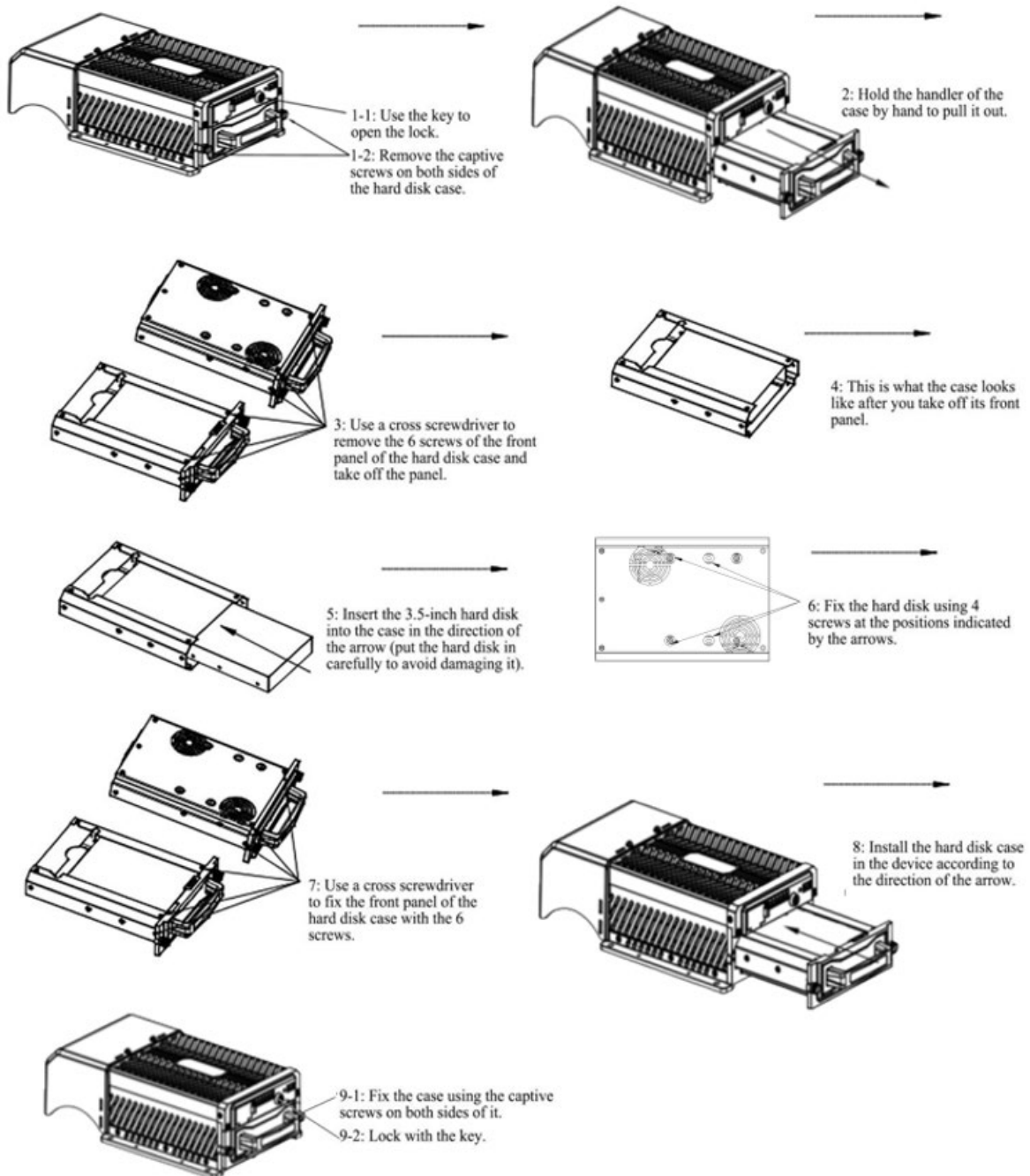
No.	Silk Screen	Description
1	Power	Power Input
2	Panel	CP4 port
3	VGA	VGA port
4		External positioning module port
5	R-WATCH	R-WATCH port
6	Serial	Serial port
7	Sensor & Serial	I/O ports & Serial ports
8	USB	USB interface
9	LAN	LAN port
10	IPC1~IPC4	IPC (PON power supply) audio/video input ports 1-4
11		Internal positioning module port
12		3G/4G antenna port

13		Wi-Fi antenna port
14	A/V IN1~A/V IN4	Analog audio/video input ports 1 to 4

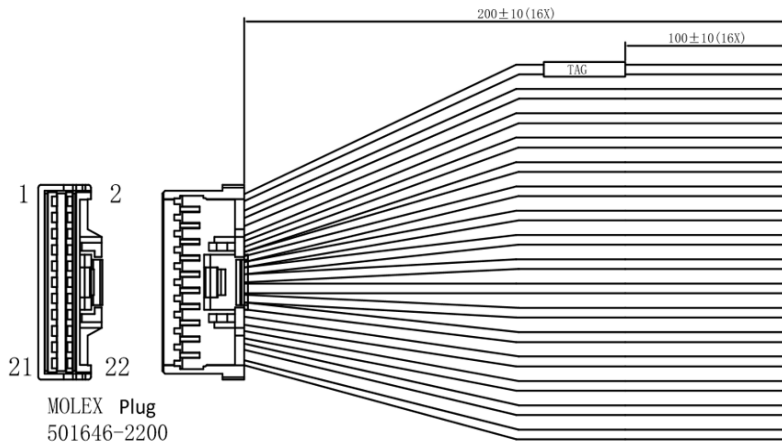
## 5. Product Installation



### 5.1 HDD Installation

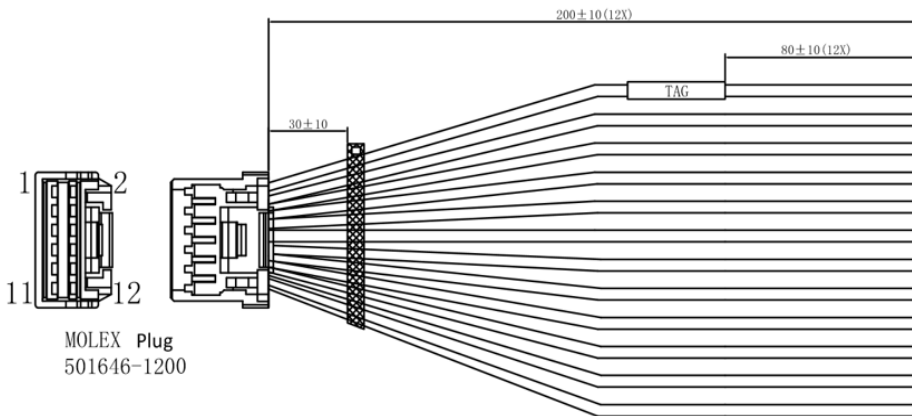


## 5.2 External Cable Connector Pinouts



MOLEX Plug  
501646-2200

Pin	Color	Label	Content
1	Red		SENSOR IN1
3	Gray		SENSOR IN2
5	Light Green		SENSOR IN3
7	Light Blue		SENSOR IN4
9	Gray		SENSOR IN5
11	Orange		SENSOR IN6
13	Blue & Black		SENSOR IN7
15	Blue & White		SENSOR IN8
17	Blue		SPEED IN
12	Red & White		SENSOR OUT1
14	Red & Yellow		SENSOR OUT2
19	Black		GND
21	Red		+5V
18	Black		GND
10	Green		232RX-1
8	White		232TX-1



MOLEX Plug  
501646-1200

Pin	Color	Label	Content
1	White & Yellow	232TX-2	
2	Green & Yellow	232RX-2	
3	White & Black	CAN-H	
4	Green & Black	CAN-L	
5	Red	+5V	
6	Black	GND	
7	Black	GND	
8	Red	+12V	
9	White & Blue	485A-1	
10	Green & Blue	485B-1	
11	White & Blue	485A-2	
12	Green & Blue	485B-2	

## 6. Easy Troubleshooting

### 6.1 MDVR Fails to Start

- ✧ Check the input power supply of the device by checking whether the power cable is correctly connected, whether the ground cable is connected to the battery, and whether the fuse in the power cable is intact.
- ✧ Check whether the ACC signal cable of the power supply device has a voltage (greater than 7.5V).
- ✧ Check whether the key on the device is switched off.

### 6.2 MDVR Keeps Restarting

- ✧ Check whether the voltage is too low to start the device, causing the device to randomly restart.
- ✧ Hard disk/SD card failures may cause device startup failure. Take out the storage unit and turn on the device again to determine whether the storage unit is faulty.

### 6.3 No Video Recording

- ✧ Check whether a storage unit is installed and in good contact and whether the storage unit can read data normally when connecting to a computer.
- ✧ Check the storage unit is formatted or not. After the storage unit is inserted into MDVR device, it needs to be formatted to perform normal data storage.
- ✧ Check whether there is a video signal input from the camera to the MDVR and whether there is a video image shown on the live view display screen.

### 6.4 Video Recorded Without Sound

- ✧ Check whether there is an external microphone connected or whether the camera features audio acquisition.
- ✧ Access the video channel settings and check whether the audio option is enabled.
- ✧ The channel that realizes the sound recording function must have video input and can



perform video recording normally.

## 6.5 GPS Abnormality

- ✧ Check whether the GPS antenna is correctly installed and whether there is a GPS silk screen on the GPS antenna pedestal on the back of the MDVR.
- ✧ Check whether the antenna receiver is blocked. The antenna receiver must not be covered, or else signal reception failure may occur as a result.
- ✧ The impacts caused by surrounding environments such as tree shelters, tunnels, driving near tall buildings and overpasses, thunderstorm weather, etc. may cause GPS signal loss or GPS to receive the wrong signal.

## 6.6 Device Fail to Shut Down in the Ignition Startup & Shutdown Mode

- ✧ Check whether the ACC signal cable connection is correct and whether there is no voltage on the ACC yellow line after the key is switched off.
- ✧ If the Timing Video Record is enabled and the current time has not exceeded the limit set in the recording time task table, the device cannot be shut down.



Building a Brighter Future of Transportation with Technology



**Streamax Technology Co., Ltd.**

Address: 21-23/F B1 Building, Zhiyuan, No.1001 Xueyuan Avenue, Nanshan District Shenzhen City,  
Guangdong Province, P.R.China

Website: [en.streamax.com](http://en.streamax.com)