

Automate and secure your entrance in style



Fully automated motorized
mini tubular swing barrier.

Model : SWB100 series

SWB100 is an automatic motorized stainless steel tubular swing barrier. Swing barrier has smallest installation footprint while offering widest opening clearance to allow big boxes, trolley, wheelchair, baby stroller or user with big luggage to pass through with comfort.

SWB100 compact size and tubular shape allow it to easily fit into places with very limited space. Access control and time attendance reader can be integrated into top cover.

SWB100 design is simplified to achieve optimum function at more affordable cost. Control system mechanism is modular for easy maintenance servicing and part replacement.

SWB100 is typically used together with flap barrier or turnstile as manual lane for handicapped user in building lobby. Ideal for low traffic and light duty site that requires more affordable solution.



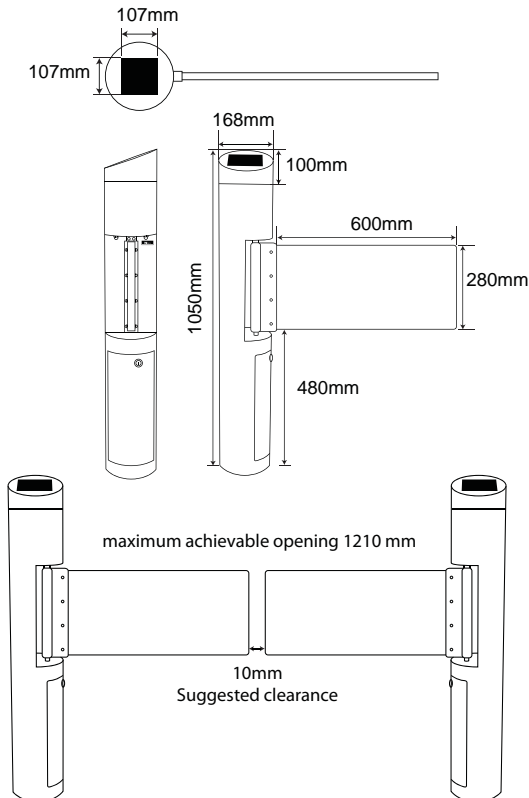
Premium
automation



TECHNICAL SPECIFICATION:

Description	Parameters
Temperature	25° to 50°C
Operating voltage	DC 24V
Power supply input	AC220V ± 10% V50 / 10%Hz
Flap opening/ closing time	2.2s
Reset time when power on	3s
Optimal traffic rate	20 to 30 people per min
Motor type	Brushless DC servo motor

DIMENSION:



ORDERING INFO:

Model No	Description
EQ501	IR Safety beam

ACCESSORIES:



Safety beam



Push Button

Feature

1 WIDEST OPENING

Compared to tripod turnstile and flap barrier, swing barrier allow widest opening clearance. SWB100 slim form factor only take up minimum space from passage clearance space. 2 unit swing barrier can be installed on same lane to give maximum clearance 1210 mm (inclusive 10 mm clearance).

2 CUSTOMIZE OPENING

Swing barrier allow customizable opening.rylic gate of SWB100 can be cut short according to clearance available at site to achieve perfect fitting. Control system will auto synchronize both swing barrier installed in the same lane. Both swing barrier will open and close at the same time.

3 EASY INTEGRATION

A push button or access control reader can be used to trigger the swing barrier to open via simple dry contact signal. After delay timer elapsed, swing barrier will automatically close back by itself.

4 DOUBLE SAFETY

Optional IR sensor can be installed to auto reverse the gate if obstacle is detected during closing. This prevent the closing gate to hit user that is still in the lane passage.

5 EMERGENCY RECOVERY

During power failure, swing barrier will automatically open for free pass through. This will fast escape in the event of emergency. When the power resume, swing barrier will automatically close back.

Premium automation

" Entrance is the first level of protection in building security. VIGILANCE offer complete gate automation system to secure your entrance.... "



Authorized dealer