



### Main

Range of product	Modicon STB distributed I/O solution
Product or component type	Standard digital input kit
Kit composition	STBXTS2100, 6-terminal spring clamp connector STBDDI3420 module STBXTS1100, 6-terminal screw type connector STBXBA1000 base
Discrete input number	4
Discrete input voltage	24 V
Discrete input voltage type	DC

### Complementary

Input voltage limits	11...30 V at state 1 -3...5 V at state 0
Permissible voltage	30 V
Absolute maximum voltage	56 V 1.3 ms
Discrete input current	8 mA
Current state 0 guaranteed	<= 1.2 mA
Current state 1 guaranteed	>= 2.5 mA
Discrete input logic	Positive or negative
Response time	0.925 ms off-to-on 0.5 ms 1.35 ms on-to-off 0.5 ms
Protection type	Reverse polarity protection Input protection resistor-limited Power protection integrated fuse on PDM time lag 10 A
Insulation between channels and logic bus	1500 V for 1 minute
Cold swapping	Yes
Hot swapping	Yes for standard NIMs
Input filtering	1 ms 2 ms 4 ms 8 ms

Disclaimer: This documentation is not intended as a substitute for and is not to be used for determining suitability or reliability of these products for specific user applications

	0.5 ms 16 ms +/- 0.25 ms
Current supplied by sensor	100 mA per channel
Product compatibility	I/O base STBXBA1000 Power distribution module STBPDT3100/3105
[Us] rated supply voltage	24 V DC
Supply	Power distribution module
Current consumption	45 mA 5 V DC logic bus
Marking	CE
Overvoltage category	II
Status LED	1 LED green module status (RDY) 1 LED per channel green channel status (IN1 to IN4) 1 LED red module error (ERR)
Depth	65.1 mm
Height	18.4 mm
Width	125 mm
Product weight	0.111 kg

## Environment

Standards	EN/IEC 61131-2type 1+
Product certifications	CSA FM Class 1 Division 2 UL
Pollution degree	2 IEC 60664-1
Operating altitude	<= 2000 m
IP degree of protection	IP20 EN 61131-2 class 1
Ambient air temperature for operation	-25...70 °C without derating
Ambient air temperature for operation	32...140 °F without derating
Ambient air temperature for storage	-40...85 °C without derating
Ambient air temperature for storage	-40...185 °F without derating
Relative humidity	95 % 60 °C without condensation
Vibration resistance	+/-0.35 mm 10...58 Hz 3 gn 58...150 Hz 35 x 7.5 mm symmetrical DIN rail 5 gn 58...150 Hz 35 x 15 mm symmetrical DIN rail
Shock resistance	30 gn 11 ms IEC 88 reference 2-27

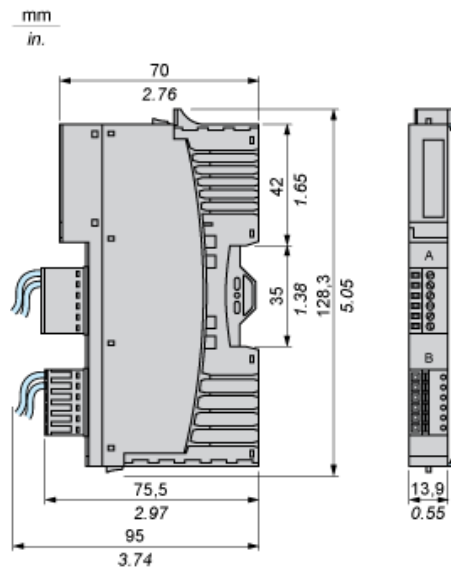
## Offer Sustainability

Sustainable offer status	Green Premium product
RoHS (date code: YYWW)	Compliant - since 0921 - Schneider Electric declaration of conformity <a href="#">Schneider Electric declaration of conformity</a>
REACH	Reference contains SVHC above the threshold - Go to CaP for more details <a href="#">Go to CaP for more details</a>
Product environmental profile	Available <a href="#">Product Environmental Profile</a>
Product end of life instructions	Available <a href="#">End of Life Information</a>

## Contractual warranty

Warranty period	18 months
-----------------	-----------

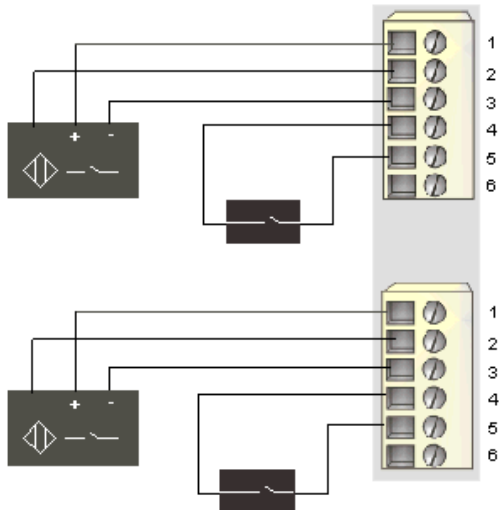
## Dimensions



Wiring Diagram

Example

2 three-wire sensor and 2 two-wire sensor



Pin	Top Connector	Bottom Connector
1	+24 VDC from sensor bus for field device accessories	+24 VDC from sensor bus for field device accessories
2	input from sensor 1	input from sensor 3
3	field power return (to the module)	field power return (to the module)
4	+24 VDC from sensor bus for field device accessories	+24 VDC from sensor bus for field device accessories
5	input from sensor 2	input from sensor 4
6	field power return (to the module)	field power return (to the module)