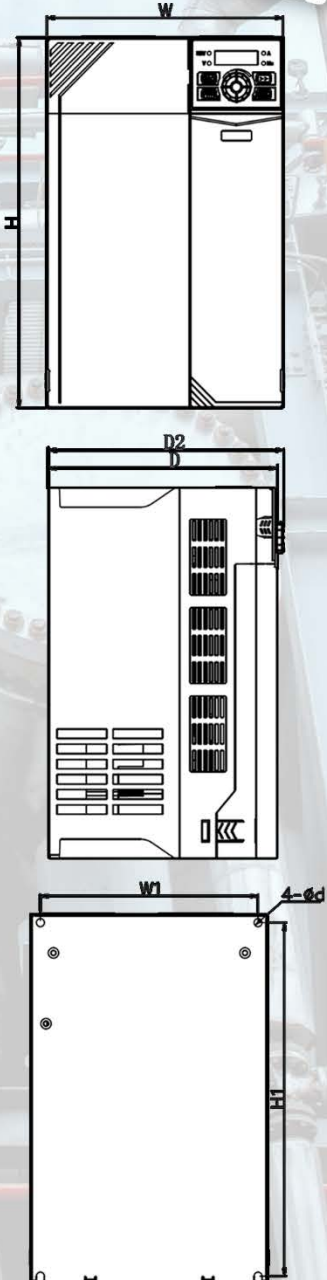


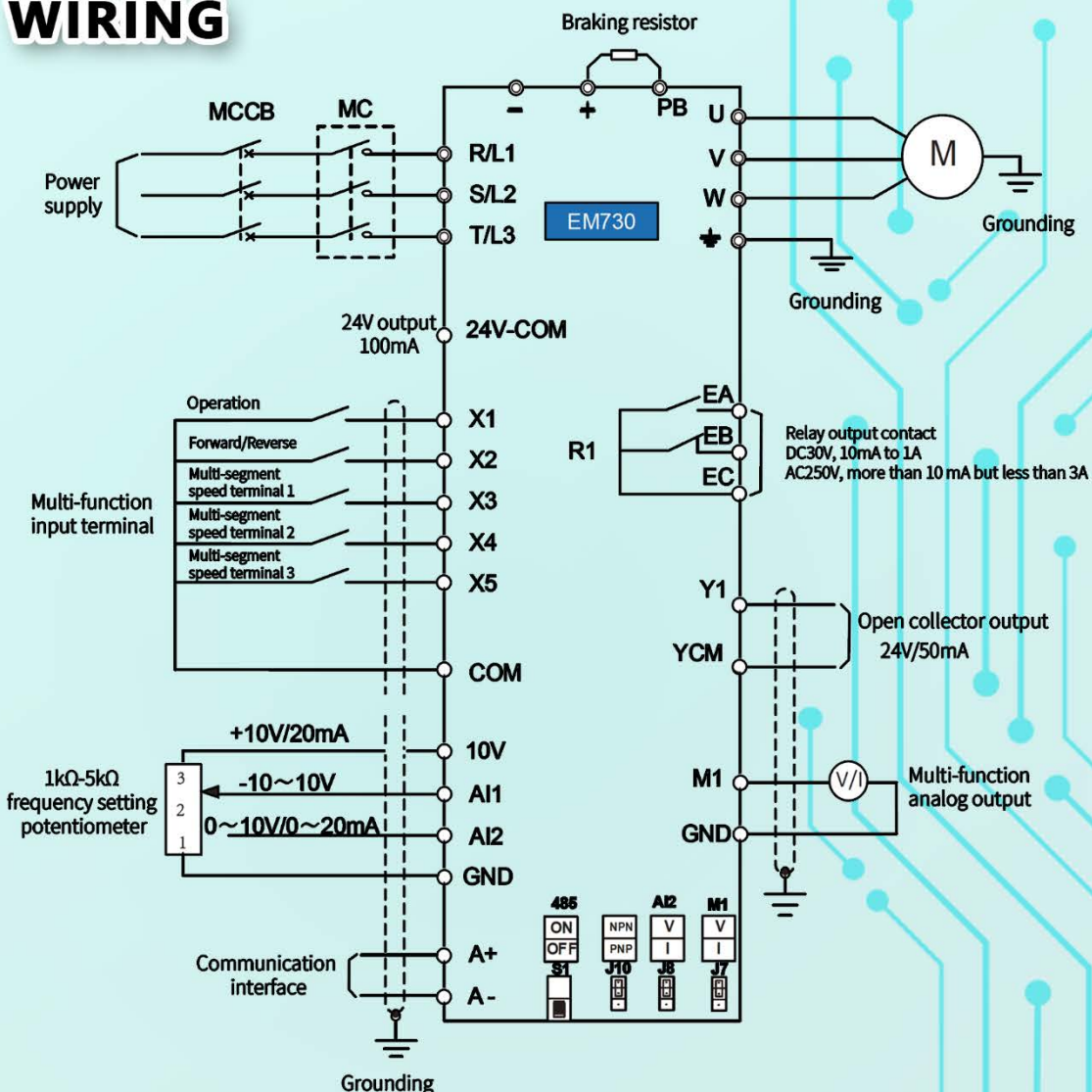
| Definition                             | Data   |  |
|--|--|--|
| Model                                  | EM730-1R5-3B   |  |
| Application motor size kW (HP)         | 1.5 kW (2)   |  |
| Motor type                             | Asynchronous motor / Permanent magnet motor  |  |
| Overload capability                    | Heavy-duty rated current   | 150% of rate current 60 seconds<br>180% of rate current 10 seconds<br>200% of rate current 2 seconds |
|  | Light-duty rated current   | 120% of rate current 60 seconds<br>150% of rate current 10 seconds<br>180% of rate current 2 seconds |
| Starting torque                        | 150%/1Hz (VVF) , 150%/0.25Hz (SVC)   |  |
| Rated input voltage (V)                | 3 phase : 340V (-10%) ~ 460V (+10%)  |  |
| Rated input current (A)                | 5.8 A  |  |
| Rated output voltage (V)               | 0 ~ input voltage  |  |
| Rated output current (A)               | Heavy-duty 4.2 A / Light-duty 4.6 A  |  |
| Output frequency (Hz)                  | 0.00 ~ 600.00Hz / 0.0 ~ 3,000.0Hz  |  |
| Protective housing                     | IP20   |  |
| Cooling                                | FAN  |  |
| Minimum value of resistor ( $\Omega$ ) | 180 $\Omega$   |  |
| Carrier frequency                      | 1 to 16.0 kHz  |  |
| Dimension (mm.)                        | <u>W</u> 75 x <u>W1</u> 65 x <u>H</u> 142 x <u>H1</u> 132 x <u>D</u> 146 x <u>D2</u> 152 |  |
| Weight                                 | 1.28 kg  |  |



## DIMENSION



## WIRING



บริษัท ซีเอส ออโตเมชั่น ซิสเต็ม จำกัด

41 ซอยเอกชัย 97 ถนนกาญจนาภิเษก แขวงบางบอนใต้ เขตบางบอน กรุงเทพฯ 10150