

PLT-SEC-T3-24-P-UT/PT - Type 3 surge protection plug



2907920

<https://www.phoenixcontact.com/us/products/2907920>

Please be informed that the data shown in this PDF document is generated from our Online Catalog. Please find the complete data in the user documentation. Our General Terms of Use for Downloads are valid.



Replacement plug for type 3 surge protection from the PLT-SEC-...-UT/PT product series.
Nominal voltage 24 V.

Commercial Data

| | |
|--------------------------------------|--------------------|
| Item number | 2907920 |
| Packing unit | 1 pc |
| Minimum order quantity | 1 pc |
| Sales Key | C06 |
| Product Key | CL14A4 |
| Catalog Page | Page 82 (C-4-2019) |
| GTIN | 4055626257464 |
| Weight per Piece (including packing) | 37.2 g |
| Weight per Piece (excluding packing) | 33.825 g |
| Customs tariff number | 85363030 |
| Country of origin | DE |

PLT-SEC-T3-24-P-UT/PT - Type 3 surge protection plug

2907920

<https://www.phoenixcontact.com/us/products/2907920>

Technical Data

Product properties

| | |
|--------------------------------|------------------|
| IEC power supply system | TN-S |
| Type | Male |
| Product type | Replacement plug |
| Product family | SEC Family |
| Number of positions | 2 |
| Surge protection fault message | optical |

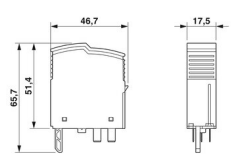
Insulation characteristics

| | |
|-------------------------|-----|
| Overvoltage category | III |
| Pollution degree | 2 |
| IEC test classification | III |
| | T3 |
| EN type | T3 |
| Number of ports | One |

Connection data

| | |
|-------------------|-----------|
| Connection method | pluggable |
|-------------------|-----------|

Dimensions

| | |
|---------------------|--|
| Dimensional drawing |  |
| Width | 17.5 mm |
| Height | 46.7 mm |
| Depth | 65.7 mm |
| Horizontal pitch | 1 Div. |

Material specifications

| | |
|--|---------------------|
| Color | light grey RAL 7035 |
| Flammability rating according to UL 94 | V-0 |
| CTI value of material | 600 |
| Insulating material | PA 6.6-FR 20 % GF |
| | PA 6.6-FR |
| Housing material | PA 6.6-FR 20 % GF |
| | PA 6.6-FR |

Protective circuit

| | |
|--------------------|------|
| Mode of protection | L-N |
| | L-PE |

PLT-SEC-T3-24-P-UT/PT - Type 3 surge protection plug



2907920

<https://www.phoenixcontact.com/us/products/2907920>

| | |
|--|--|
| | N-PE |
| Direction of action | 1L-N & N-PE |
| Nominal voltage U_N | 24 V AC (TN-S) |
| Nominal frequency f_N | 50 Hz (60 Hz) |
| Maximum continuous voltage U_C | 34 V AC |
| Residual current I_{PE} | $\leq 5 \mu\text{A}$ |
| Standby power consumption P_C | $\leq 2.7 \text{ mVA}$ (at U_{REF}) |
| | $\leq 4.8 \text{ mVA}$ (at U_C) |
| Reference test voltage U_{REF} | 27 V AC |
| Nominal discharge current I_n (8/20) μs | 1 kA |
| Combination wave U_{OC} | 2 kV |
| Voltage protection level U_p (L-N) | $\leq 0.2 \text{ kV}$ |
| Voltage protection level U_p (L-PE) | $\leq 0.6 \text{ kV}$ |
| Voltage protection level U_p (N-PE) | $\leq 0.6 \text{ kV}$ |
| TOV behavior at U_T (L-N) | 50 V AC (120 min / safe failure mode) |
| TOV behavior at U_T (L-PE) | 50 V AC (120 min / withstand mode) |
| Response time t_A (L-N) | $\leq 25 \text{ ns}$ |
| Response time t_A (L-PE) | $\leq 100 \text{ ns}$ |
| Response time t_A (N-PE) | $\leq 100 \text{ ns}$ |
| Short-circuit current rating I_{SCCR} | 10 kA AC |
| Max. backup fuse with branch wiring | 32 A (gG / B / C) |

Additional technical data

| | |
|--|---|
| Short-circuit current rating I_{SCCR} | 0.25 kA DC (Without additional backup fuse in the DC branch wiring) |
| | 5 kA DC (for 20 A gG / B backup fuse) |
| Maximum discharge current I_{max} (8/20) μs | 4 kA |
| Nominal discharge current I_n (8/20) μs | 3 kA |
| Residual voltage U_{res} (L-N) | $\leq 0.16 \text{ kV}$ (at 0.5 kA) |
| | $\leq 0.2 \text{ kV}$ (at 1 kA) |
| Residual voltage U_{res} (L-PE) | $\leq 0.35 \text{ kV}$ (at 0.5 kA) |
| | $\leq 0.4 \text{ kV}$ (at 1 kA) |
| Residual voltage U_{res} (N-PE) | $\leq 0.35 \text{ kV}$ (at 0.5 kA) |
| | $\leq 0.4 \text{ kV}$ (at 1 kA) |
| Maximum continuous voltage U_C | 44 V DC |
| Mode of protection | (DC+) - (DC-) |
| | (DC+/DC-) - PE |

Environmental and real-life conditions

Ambient conditions

| | |
|---|---|
| Degree of protection | IP20 |
| Ambient temperature (operation) | -40 °C ... 80 °C |
| Ambient temperature (storage/transport) | -40 °C ... 80 °C |
| Altitude | $\leq 6000 \text{ m}$ (amsl (above mean sea level)) |

PLT-SEC-T3-24-P-UT/PT - Type 3 surge protection plug



2907920

<https://www.phoenixcontact.com/us/products/2907920>

| | |
|----------------------------------|---|
| Permissible humidity (operation) | 5 % ... 95 % |
| Shock (operation) | 30g (Half-sine / 11 ms / 3x ±X, ±Y, ±Z) |
| Vibration (operation) | 5g (5 ... 500 Hz / 2.5 h / X, Y, Z) |

Approval data

UL specifications

| | |
|---|---------------|
| Maximum continuous operating voltage MCOV | 34 V AC |
| | 34 V DC |
| Nominal discharge current I_n | 1 kA |
| Mode of protection | L-N |
| | L-G |
| | N-G |
| | (DC+) - (DC-) |
| | (DC+) - G |
| | (DC-) - G |
| Nominal voltage | 34 V DC |
| Power distribution system | Single phase |
| | DC |
| Nominal frequency | 50/60 Hz |
| Measured limiting voltage MLV (L-N) | 200 V |
| Measured limiting voltage MLV (L-G) | 510 V |
| Measured limiting voltage MLV (N-G) | 510 V |
| SPD Type | 4CA |

Standards and regulations

| | |
|--------------------------|--------------|
| Standards/specifications | IEC 61643-11 |
|--------------------------|--------------|

EN 61643-11

| | |
|--------------------------|-------------|
| Standards/specifications | EN 61643-11 |
|--------------------------|-------------|

Mounting

| | |
|---------------|-----------------|
| Mounting type | on base element |
|---------------|-----------------|

PLT-SEC-T3-24-P-UT/PT - Type 3 surge protection plug

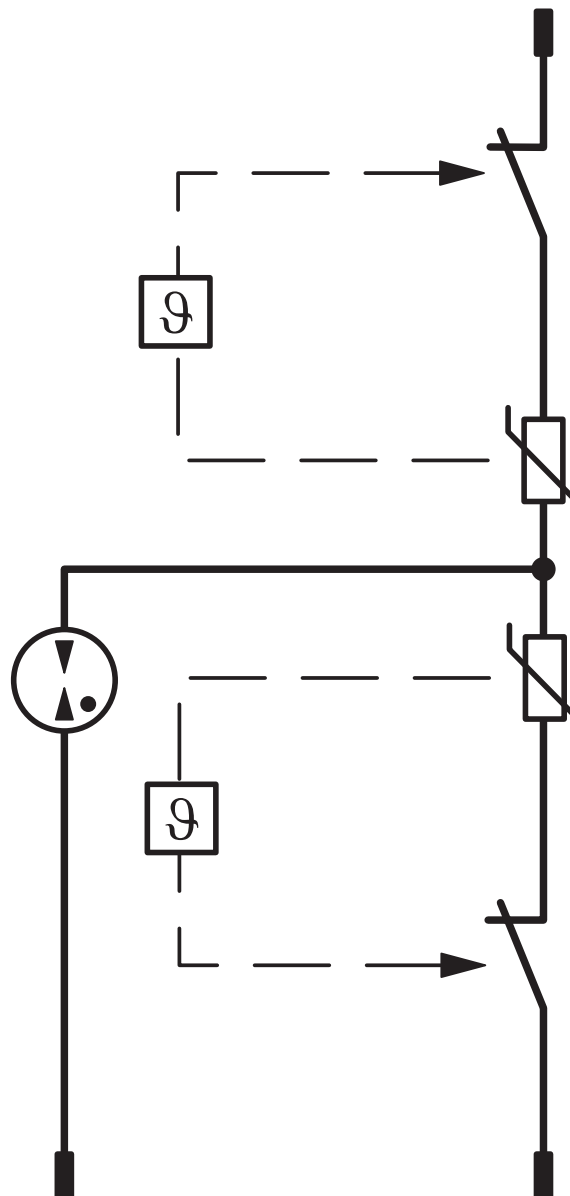


2907920

<https://www.phoenixcontact.com/us/products/2907920>

Drawings

Circuit diagram



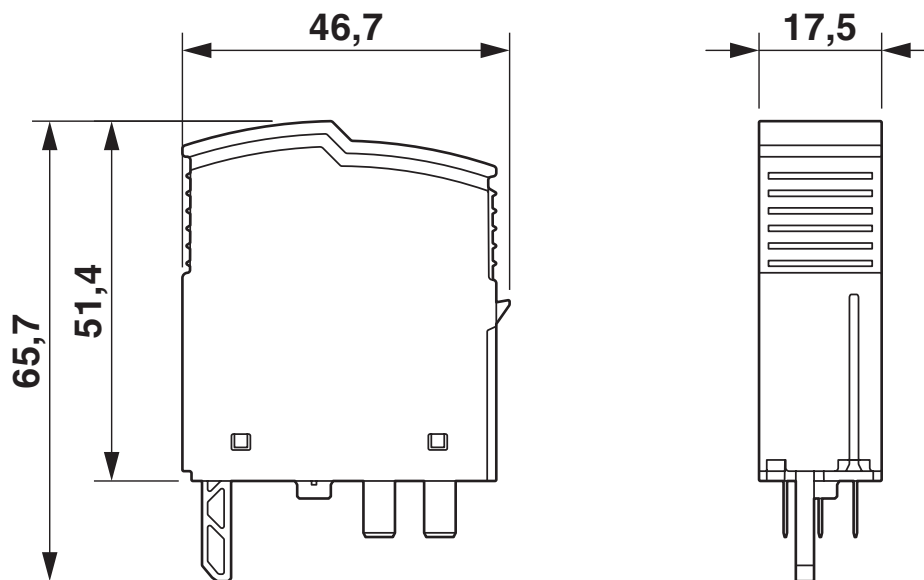
PLT-SEC-T3-24-P-UT/PT - Type 3 surge protection plug



2907920

<https://www.phoenixcontact.com/us/products/2907920>

Dimensional drawing




PLT-SEC-T3-24-P-UT/PT - Type 3 surge protection plug





2907920


<https://www.phoenixcontact.com/us/products/2907920>

Approvals

 **cUL Recognized**
Approval ID: FILE E 330181

 **UL Recognized**
Approval ID: FILE E 330181


 **IECEE CB Scheme**
Approval ID: NL-51083

 **EAC**
Approval ID: RU C-DE.*09.B.00169


CCA
Approval ID: NTR-NL 7676

| | Nominal Voltage U_N | Nominal Current I_N | Cross Section AWG | Cross Section mm^2 |
|--|-----------------------|-----------------------|-------------------|----------------------|
| | | | - | - |

 **KEMA-KEUR**
Approval ID: 71-103027

 **DNV GL**
Approval ID: TAE00002U7

| | Nominal Voltage U_N | Nominal Current I_N | Cross Section AWG | Cross Section mm^2 |
|--|-----------------------|-----------------------|-------------------|----------------------|
| | | | - | - |

 **cUL Recognized**
Approval ID: FILE E 340736

| | Nominal Voltage U_N | Nominal Current I_N | Cross Section AWG | Cross Section mm^2 |
|--|-----------------------|-----------------------|-------------------|----------------------|
| | | | - | - |

 **UL Recognized**
Approval ID: FILE E 340736

| | Nominal Voltage U_N | Nominal Current I_N | Cross Section AWG | Cross Section mm^2 |
|--|-----------------------|-----------------------|-------------------|----------------------|
| | | | - | - |

PLT-SEC-T3-24-P-UT/PT - Type 3 surge protection plug



2907920

<https://www.phoenixcontact.com/us/products/2907920>

cULus Recognized

cULus Recognized

PLT-SEC-T3-24-P-UT/PT - Type 3 surge protection plug



2907920

<https://www.phoenixcontact.com/us/products/2907920>

Classifications

ECLASS

| | |
|---------------|----------|
| ECLASS-9.0 | 27130890 |
| ECLASS-10.0.1 | 27130890 |
| ECLASS-11.0 | 27130890 |

ETIM

| | |
|----------|----------|
| ETIM 8.0 | EC002496 |
|----------|----------|

UNSPSC

| | |
|-------------|----------|
| UNSPSC 21.0 | 39121600 |
|-------------|----------|

PLT-SEC-T3-24-P-UT/PT - Type 3 surge protection plug



2907920

<https://www.phoenixcontact.com/us/products/2907920>

Environmental Product Compliance

| | |
|------------|---|
| China RoHS | Environmentally friendly use period: unlimited = EFUP-e |
| | No hazardous substances above threshold values |

PLT-SEC-T3-24-P-UT/PT - Type 3 surge protection plug



2907920

<https://www.phoenixcontact.com/us/products/2907920>

Accessories

PLT-SEC-T3-24-FM-PT - Type 3 surge protection device

2907925

<https://www.phoenixcontact.com/us/products/2907925>



Type 3 surge protection, consisting of protective plug and base element, with integrated status indicator and remote signaling for single-phase power supply networks. Nominal voltage: 24 V AC/DC

PLT-SEC-T3-24-FM-UT - Type 3 surge protection device

2907916

<https://www.phoenixcontact.com/us/products/2907916>



Type 3 surge protection, consisting of protective plug and base element, with integrated status indicator and remote signaling for single-phase power supply networks. Nominal voltage: 24 V AC/DC

PLT-SEC-T3-24-P-UT/PT - Type 3 surge protection plug



2907920

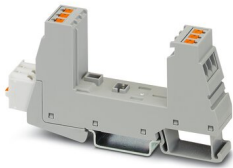
<https://www.phoenixcontact.com/us/products/2907920>

PLT-SEC-T3-BE-FM-PT - Type 3 surge protection base element

2907929

<https://www.phoenixcontact.com/us/products/2907929>

Base element for protective plugs from the PLT-SEC-...-UT/PT product series with remote indication contact.

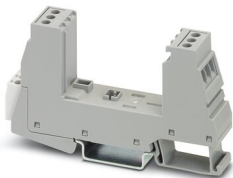


PLT-SEC-T3-BE-FM-UT - Type 3 surge protection base element

2907924

<https://www.phoenixcontact.com/us/products/2907924>

Base element for protective plugs from the PLT-SEC-...-UT/PT product series with remote indication contact.



Phoenix Contact 2023 © - all rights reserved
<https://www.phoenixcontact.com>

Phoenix Contact USA
586 Fulling Mill Road
Middletown, PA 17057, United States
(+717) 944-1300
info@phoenixcon.com