

NS 35/15 PERF 2000MM - DIN rail perforated



1201730

<https://www.phoenixcontact.com/sg/products/1201730>

Please be informed that the data shown in this PDF document is generated from our online catalog. Please find the complete data in the user documentation. Our general terms of use for downloads are valid.



DIN rail perforated, similar to EN 60715, material: Steel, galvanized, passivated with a thick layer, Standard profile, color: silver, Pack of 25 (50 m)

Commercial data

| | |
|--------------------------------------|---------------------|
| Item number | 1201730 |
| Packing unit | 25 pc |
| Minimum order quantity | 25 pc |
| Sales key | 0320* |
| Product key | BE7244 |
| Catalog page | Page 532 (C-3-2019) |
| GTIN | 4017918017460 |
| Weight per piece (including packing) | 1,260 g |
| Weight per piece (excluding packing) | 1,260 g |
| Customs tariff number | 72166190 |
| Country of origin | DE |

NS 35/15 PERF 2000MM - DIN rail perforated



1201730

<https://www.phoenixcontact.com/sg/products/1201730>

Technical data

Product properties

| | |
|--------------|----------|
| Product type | DIN rail |
|--------------|----------|

Dimensions

| | |
|---------------------|---------|
| Dimensional drawing | |
| Width | 35 mm |
| Hole width | 15 mm |
| Height | 2000 mm |
| Hole height | 6.2 mm |
| Depth | 15 mm |
| Length | 2000 mm |
| Drill hole spacing | 25 mm |

Material specifications

| | |
|----------|---|
| Color | silver |
| Material | Steel |
| Coating | galvanized, passivated with a thick layer |

Standards and regulations

| | |
|----------------------------------|---------------------|
| Connection in acc. with standard | IEC / EN |
| Tests | similar to EN 60715 |

NS 35/15 PERF 2000MM - DIN rail perforated

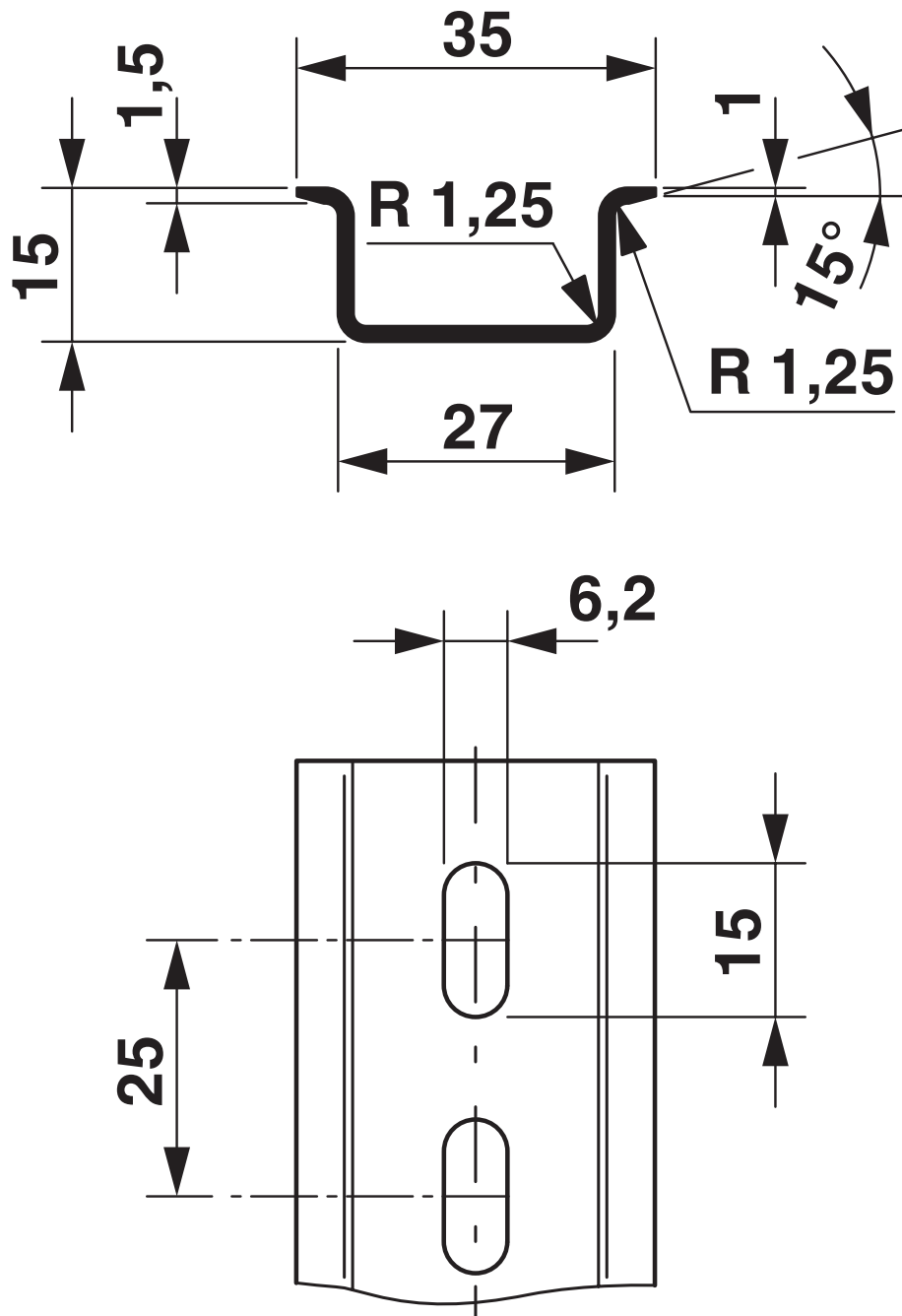


1201730

<https://www.phoenixcontact.com/sg/products/1201730>

Drawings

Dimensional drawing



NS 35/15 PERF 2000MM - DIN rail perforated



1201730

<https://www.phoenixcontact.com/sg/products/1201730>

Classifications

ECLASS

| | |
|-------------|----------|
| ECLASS-11.0 | 27400602 |
| ECLASS-13.0 | 27400602 |
| ECLASS-12.0 | 27400602 |

ETIM

| | |
|----------|----------|
| ETIM 8.0 | EC001285 |
|----------|----------|

UNSPSC

| | |
|-------------|----------|
| UNSPSC 21.0 | 39121700 |
|-------------|----------|

NS 35/15 PERF 2000MM - DIN rail perforated



1201730

<https://www.phoenixcontact.com/sg/products/1201730>

Environmental product compliance

| | |
|------------|---|
| China RoHS | Environmentally friendly use period: unlimited = EFUP-e |
| | No hazardous substances above threshold values |

Phoenix Contact 2023 © - all rights reserved
<https://www.phoenixcontact.com>

PHOENIX CONTACT SEA Pte. Ltd.
105 Eunos Avenue 3, #04-00
Singapore 409836
+65 6228 4900
marketing@phoenixcontact.com.sg