

# LOW VOLTAGE FUSES

## EUROPEAN NH KNIFE-BLADE FUSE SYSTEM



SIBA NH Fuse-links with top and center indicator are available in a large variety of voltage ratings, body sizes and operating classes:

Sizes: **000, 00, 0, 1, 2, 3 and 4**

Voltage ratings: AC 400 / 500 / 690 /  
1000 / 1500 V

Operation class: **gG:** General Purpose  
Cable and  
Line protection

**gB:** For general application

**aM:** Motor circuit short  
circuit protection

**gTr:** General Purpose  
Transformer Protection

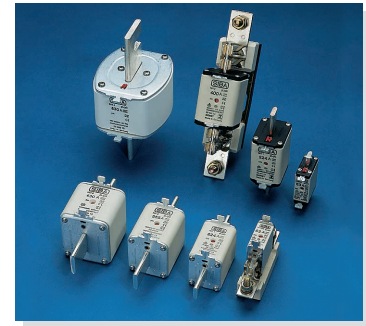
**gTF:** For general application

Standards: IEC 60269-1-2 / EN 60269-1-2  
DIN VDE 0636 part 201  
DIN VDE 0636 part 2011  
DIN 43620

Approvals: Germany, Austria, Switzerland

## Features / Benefits

- ▶ Combination indicator (top and center) for easy identification of blown fuses
- ▶ High interrupting rating up to 120 kA
- ▶ Voltage ratings AC 400 - 1500 V
- ▶ Operation classes gG / gB / aM / gTr / gTF available for all applications
- ▶ Fuse bases and accessories available, made of sheet steel base plate with ceramic support
- ▶ Low power losses and temperatures
- ▶ All fuse links are entirely corrosionresistant
- ▶ Removal tags: Standard design in metal, insulated removal tags available for increased safety



**LOW VOLTAGE FUSES**  
EUROPEAN NH KNIFE-BLADE FUSE SYSTEM

**Selection Guide**

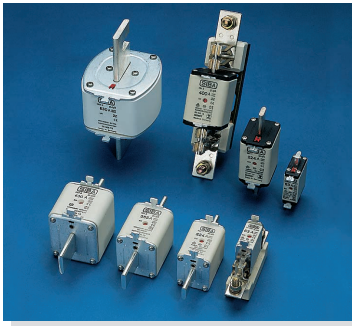
**gG - General Application**

Size	Rated Voltage AC V	Removal Tags	Indicator Type	Part No.	Selector Guide Page	Techn. Data Page
000	500	metal	combi indicator	20 000 13	NH 6	NH 25
00	500	metal	combi indicator	20 001 13	NH 6	NH 25
0	500	metal	combi indicator	20 002 13	NH 7	NH 25
1	500	metal	combi indicator	20 003 13	NH 7	NH 26
2	500	metal	combi indicator	20 004 13	NH 8	NH 26
3	500	metal	combi indicator	20 005 13	NH 8	NH 26
4	500	metal	top indicator	20 006 13	NH 9	NH 27
4	500	metal	top indicator	20 228 13	NH 9	NH 27
4a	500	metal	top indicator	20 120 13	NH 9	NH 27
000	500	insulated	combi indicator	20 438 13	NH 12	NH 25
00	500	insulated	combi indicator	20 439 13	NH 12	NH 25
1	500	insulated	combi indicator	20 441 13	NH 13	NH 26
2	500	insulated	combi indicator	20 442 13	NH 13	NH 26
3	500	insulated	combi indicator	20 443 13	NH 14	NH 26
000	690	metal	combi indicator	20 477 13	NH 6	NH 29
00	690	metal	combi indicator	20 209 13	NH 6	NH 29
0	690	metal	combi indicator	20 210 13	NH 7	NH 29
1	690	metal	combi indicator	20 211 13	NH 7	NH 30
2	690	metal	combi indicator	20 212 13	NH 8	NH 30
3	690	metal	combi indicator	20 213 13	NH 8	NH 30
4	690	metal	top indicator	20 225 13	NH 9	NH 31
4a	690	metal	top indicator	20 227 13	NH 9	NH 31
000	690	insulated	combi indicator	20 452 13	NH 12	NH 29
00	690	insulated	combi indicator	20 453 13	NH 12	NH 29
1	690	insulated	combi indicator	20 455 13	NH 13	NH 30
2	690	insulated	combi indicator	20 456 13	NH 13	NH 30

**Selection Guide**

**gB - General Application**

Size	Rated Voltage AC V	Removal Tags	Indicator Type	Part No.	Selector Guide Page	Techn. Data Page
000	1000	metal	top indicator	20 386 03	NH 16	NH 33
00	1000	metal	top indicator	20 389 03	NH 16	NH 33



**LOW VOLTAGE FUSES**  
EUROPEAN NH KNIFE-BLADE FUSE SYSTEM

**Selection Guide**

**aM - Motor Circuit Protection**

Size	Rated Voltage AC V	Removal Tags	Indicator Type	Part No.	Selector Guide Page	Techn. Data Page
000	690	metal	combi indicator	20 477 08	NH 17	NH 35
00	690	metal	combi indicator	20 209 08	NH 17	NH 35
0	690	metal	combi indicator	20 210 08	NH 17	NH 35
1	690	metal	combi indicator	20 211 08	NH 18	NH 36
2	690	metal	combi indicator	20 212 08	NH 18	NH 36
3	690	metal	combi indicator	20 213 08	NH 19	NH 36
4	690	metal	top indicator	20 225 08	NH 19	NH 37
4a	690	metal	top indicator	20 227 08	NH 19	NH 37
000	1000	metal	top indicator	20 386 08	NH 21	NH 39
00	1000	metal	top indicator	20 389 08	NH 21	NH 39

**Selection Guide**

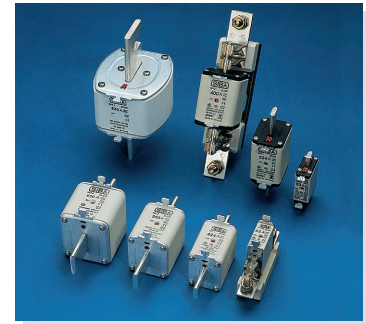
**gTr - Transformer Protection**

Size	Rated Voltage AC V	Removal Tags	Indicator Type	Part No.	Selector Guide Page	Techn. Data Page
2	400	metal	combi indicator	20 004 15	NH 22	NH 40
3	400	metal	combi indicator	20 005 15	NH 22	NH 40
4a	400	metal	top indicator	20 120 15	NH 23	NH 40

**Selection Guide**

**gTF - General Application**

Size	Rated Voltage AC V	Removal Tags	Indicator Type	Part No.	Selector Guide Page	Techn. Data Page
3	1500	metal	top indicator	20 246 02	NH 24	NH 42



**LOW VOLTAGE FUSES**  
EUROPEAN NH KNIFE-BLADE FUSE SYSTEM

**Selection Guide**

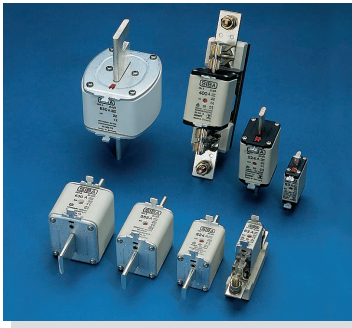
**Knife Links**

Size	Removal Tags	Part No.	Techn. Data Page
00	metal	24 001 02	NH 43
0	metal	24 002 02	NH 43
1	metal	24 003 02	NH 43
2	metal	24 004 02	NH 43
3	metal	24 005 02	NH 43
4	metal	24 006 02	NH 43
4a	metal	24 006 07	NH 43
00	insulated	24 080 02	NH 43
0	insulated	24 176 02	NH 43
1	insulated	24 158 02	NH 43
2	insulated	24 159 02	NH 43
3	insulated	24 160 02	NH 43

**Selection Guide**

**Fuse Bases 500/660/690 V**

Size	No. of Poles		Part No.	Techn. Data Page
00	1	Fuse base	21 001 01	NH 44
00		External wall	25 001 01	NH 44/45
00		Partition wall	25 001 03-2	NH 44
00	3	Fuse base	21 001 03	NH 44
0	1	Fuse base	21 002 04	NH 46
0		External wall	25 006 01	NH 46
1	1	Fuse base	21 003 01	NH 47
2	1	Fuse base	21 004 01	NH 47
3	1	Fuse base	21 005 01	NH 47
1		External wall	25 003 01	NH 47
2		Partition wall	25 004 01	NH 47
3		Partition wall	25 005 01	NH 47
1		Contact insulating cover for Fuse Base size 1	21 003 01.26	NH 47
2		Contact insulating cover for Fuse Base size 2	21 004 01.26	NH 47
3		Contact insulating cover for Fuse Base size 3	21 005 01.26	NH 47
1	3	Fuse base	21 003 03	NH 48
2	3	Fuse base	21 004 03	NH 48
1		External wall	25 003 01	NH 48
2		External wall	25 004 01	NH 48
4	1	Fuse base	21 006 01	NH 49
4	1	Fuse base	21 006 05	NH 49
4a	1	Fuse base	21 120 02	NH 49



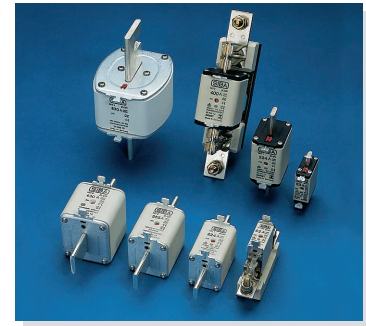
**LOW VOLTAGE FUSES**  
EUROPEAN NH KNIFE-BLADE FUSE SYSTEM

**Selection Guide** **Fuse Bases 1000/1200/1500 V**

Size	Rated Voltage AC V	Design	Part No.	Techn. Data Page
000	1000		21 386 01	NH 50
00	1000		21 389 01	NH 50
3	1500		21 031 01	NH 50

**Selection Guide** **Grip Handle**

Size	Rated Voltage AC V	Design	Part No.	Techn. Data Page
00 - 3	400 - 690	Standard	22 001 02	NH 51
00 - 3	400 - 690	Protection by Leather Glove	22 001 05	NH 51
4 + 4a	400 - 690	Standard 87 mm (3.43")	22 120 01	NH 51
3	1500	Standard 120 mm (4.72")	22 031 01	NH 51



**LOW VOLTAGE FUSES**  
EUROPEAN NH KNIFE-BLADE FUSE SYSTEM

**gG** GENERAL APPLICATION

**Size 000** **Metal Removal Tags with combi indicator** **Standard IEC 60269-2-1**

Rated voltage **AC 500 V**

Rated current	Part No.	Weight (kg/1)	Pack
2 A	20 000 13	0.11	10
4 A	20 000 13	0.11	10
6 A	20 000 13	0.11	10
10 A	20 000 13	0.11	10
16 A	20 000 13	0.11	10
20 A	20 000 13	0.11	10
25 A	20 000 13	0.11	10
32 A	20 000 13	0.11	10
35 A	20 000 13	0.11	10
40 A	20 000 13	0.11	10
50 A	20 000 13	0.11	10
63 A	20 000 13	0.11	10
80 A	20 000 13	0.11	10
100 A	20 000 13	0.11	10

Rated voltage **AC 690 V**

Rated current	Part No.	Weight (kg/1)	Pack
6 A	20 477 13	0.11	3
10 A	20 477 13	0.11	3
16 A	20 477 13	0.11	3
20 A	20 477 13	0.11	3
25 A	20 477 13	0.11	3
32 A	20 477 13	0.11	3
35 A	20 477 13	0.11	3
40 A	20 477 13	0.11	3
50 A	20 477 13	0.11	3

**Size 00** **Metal Removal Tags with combi indicator** **Standard IEC 60269-2-1**

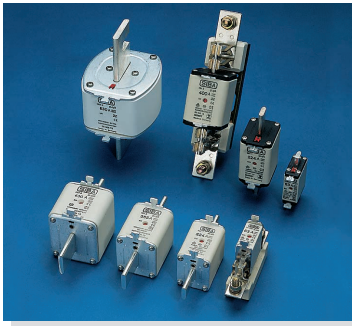
Rated voltage **AC 500 V**

Rated current	Part No.	Weight (kg/1)	Pack
125 A	20 001 13	0.154	10
160 A	20 001 13	0.154	10

Rated voltage **AC 690 V**

Rated current	Part No.	Weight (kg/1)	Pack
63 A	20 209 13	0.154	3
80 A	20 209 13	0.154	3
100 A	20 209 13	0.154	3
125 A	20 209 13	0.154	3

Dimensions see Page NH 10 + NH 11



**LOW VOLTAGE FUSES**  
EUROPEAN NH KNIFE-BLADE FUSE SYSTEM

**gG** GENERAL APPLICATION

**Size 0** **Metal Removal Tags with combi indicator** **Standard IEC 60269-2-1**

**Rated voltage AC 500 V**

Rated current	Part No.	Weight (kg/1)	Pack
2 A	20 002 13	0.23	3
4 A	20 002 13	0.23	3
6 A	20 002 13	0.23	3
10 A	20 002 13	0.23	3
16 A	20 002 13	0.23	3
20 A	20 002 13	0.23	3
25 A	20 002 13	0.23	3
32 A	20 002 13	0.23	3
35 A	20 002 13	0.23	3
40 A	20 002 13	0.23	3
50 A	20 002 13	0.23	3
63 A	20 002 13	0.23	3
80 A	20 002 13	0.23	3
100 A	20 002 13	0.23	3
125 A	20 002 13	0.23	3
160 A	20 002 13	0.23	3

**Rated voltage AC 690 V**

Rated current	Part No.	Weight (kg/1)	Pack
6 A	20 210 13	0.23	3
10 A	20 210 13	0.23	3
16 A	20 210 13	0.23	3
20 A	20 210 13	0.23	3
25 A	20 210 13	0.23	3
32 A	20 210 13	0.23	3
35 A	20 210 13	0.23	3
40 A	20 210 13	0.23	3
50 A	20 210 13	0.23	3
63 A	20 210 13	0.23	3
80 A	20 210 13	0.23	3
100 A	20 210 13	0.23	3
125 A	20 210 13	0.23	3

**Size 1** **Metal Removal Tags with combi indicator** **Standard IEC 60269-2-1**

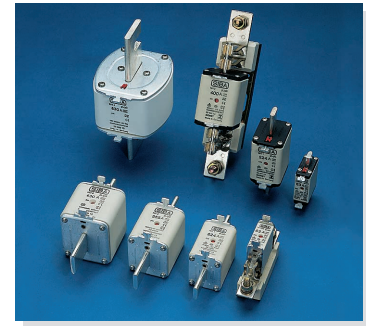
**Rated voltage AC 500 V**

Rated current	Part No.	Weight (kg/1)	Pack
16 A	20 003 13	0.28	3
20 A	20 003 13	0.28	3
25 A	20 003 13	0.28	3
32 A	20 003 13	0.28	3
35 A	20 003 13	0.28	3
40 A	20 003 13	0.28	3
50 A	20 003 13	0.28	3
63 A	20 003 13	0.28	3
80 A	20 003 13	0.28	3
100 A	20 003 13	0.28	3
125 A	20 003 13	0.28	3
160 A	20 003 13	0.28	3
200 A	20 003 13	0.44	3
224 A	20 003 13	0.44	3
250 A	20 003 13	0.44	3

**Rated voltage AC 690 V**

Rated current	Part No.	Weight (kg/1)	Pack
16 A	20 211 13	0.44	3
20 A	20 211 13	0.44	3
25 A	20 211 13	0.44	3
32 A	20 211 13	0.44	3
35 A	20 211 13	0.44	3
40 A	20 211 13	0.44	3
50 A	20 211 13	0.44	3
63 A	20 211 13	0.44	3
80 A	20 211 13	0.44	3
100 A	20 211 13	0.44	3
125 A	20 211 13	0.44	3
160 A	20 211 13	0.44	3
200 A	20 211 13	0.44	3
224 A	20 221 13	0.44	3
250 A	20 211 13	0.44	3

Dimensions see Page NH 10 + NH 11



**LOW VOLTAGE FUSES**  
EUROPEAN NH KNIFE-BLADE FUSE SYSTEM

**gG** GENERAL APPLICATION

Size  
**2**

**Metal Removal Tags  
with combi indicator**

Standard  
**IEC 60269-2-1**

Rated voltage **AC 500 V**

Rated voltage **AC 690 V**

Rated current	Part No.	Weight (kg/1)	Pack
35 A	20 004 13	0.28	3
40 A	20 004 13	0.28	3
50 A	20 004 13	0.28	3
63 A	20 004 13	0.28	3
80 A	20 004 13	0.28	3
100 A	20 004 13	0.28	3
125 A	20 004 13	0.28	3
160 A	20 004 13	0.28	3
200 A	20 004 13	0.48	3
224 A	20 004 13	0.48	3
250 A	20 004 13	0.48	3
300 A	20 004 13	0.65	3
315 A	20 004 13	0.65	3
355 A	20 004 13	0.65	3
400 A	20 004 13	0.65	3

Rated current	Part No.	Weight (kg/1)	Pack
35 A	20 212 13	0.48	3
40 A	20 212 13	0.48	3
50 A	20 212 13	0.48	3
63 A	20 212 13	0.48	3
80 A	20 212 13	0.48	3
100 A	20 212 13	0.48	3
125 A	20 212 13	0.48	3
160 A	20 212 13	0.48	3
200 A	20 212 13	0.48	3
224 A	20 212 13	0.65	3
250 A	20 212 13	0.65	3
300 A	20 212 13	0.65	3
315 A	20 212 13	0.65	3
355 A	20 212 13	0.65	3
400 A	20 212 13	0.65	3

Size  
**3**

**Metal Removal Tags  
with combi indicator**

Standard  
**IEC 60269-2-1**

Rated voltage **AC 500 V**

Rated voltage **AC 690 V**

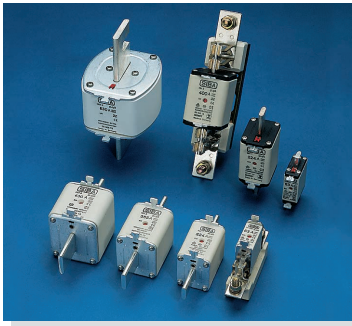
Rated current	Part No.	Weight (kg/1)	Pack
315 A	20 005 13	0.65	3
355 A	20 005 13	0.65	3
425 A	20 005 13	0.88	3
500 A	20 005 13	0.88	3
630 A	20 005 13	0.88	3

Rated current	Part No.	Weight (kg/1)	Pack
300 A	20 213 13	0.88	3
315 A	20 213 13	0.88	3
355 A	20 213 13	0.88	3
400 A	20 213 13	0.88	3
425 A	20 213 13	0.88	3
500 A	20 213 13*	1.27	3

\* with Top indicator

Dimensions see Page NH 10 + NH 11





**LOW VOLTAGE FUSES**  
EUROPEAN NH KNIFE-BLADE FUSE SYSTEM

**gG** GENERAL APPLICATION

**Size 4** **Metal Removal Tags with top indicator** **Standard IEC 60269-2-1**

**Rated voltage AC 500 V**

Rated current	Part No.	Weight (kg/1)	Pack
400 A	20 006 13	2.46	1
500 A	20 006 13	2.46	1
630 A	20 006 13	2.46	1
800 A	20 006 13	2.46	1
1000 A	20 006 13	2.46	1
1250 A	20 006 13	2.46	1
1600 A	20 228 13	3.20	1

**Rated voltage AC 690 V**

Rated current	Part No.	Weight (kg/1)	Pack
400 A	20 225 13	2.46	1
500 A	20 225 13	2.46	1
630 A	20 225 13	2.46	1
800 A	20 225 13	2.46	1

**Size 4a** **Metal Removal Tags with top indicator** **Standard IEC 60269-2-1**

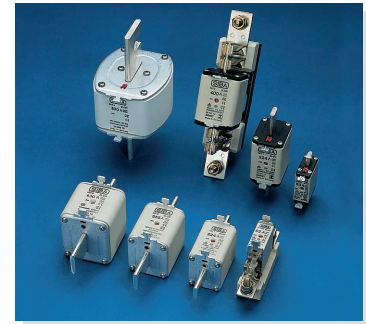
**Rated voltage AC 500 V**

Rated current	Part No.	Weight (kg/1)	Pack
400 A	20 120 13	3.2	1
500 A	20 120 13	3.2	1
630 A	20 120 13	3.2	1
800 A	20 120 13	3.2	1
1000 A	20 120 13	3.2	1
1250 A	20 120 13	3.2	1
1600 A	20 120 13	3.2	1

**Rated voltage AC 690 V**

Rated current	Part No.	Weight (kg/1)	Pack
400 A	20 227 13	3.0	1
500 A	20 227 13	3.0	1
630 A	20 227 13	3.0	1
800 A	20 227 13	3.0	1

Dimensions see Page NH 10 + NH 11



## LOW VOLTAGE FUSES EUROPEAN NH KNIFE-BLADE FUSE SYSTEM

**gG** GENERAL APPLICATION

### Dimensions Metal Removal Tags

### Rated voltage AC 500 V

### Standard IEC 60269-2-1

#### 20 000 13

A <sub>max.</sub>	2.13"	(54 mm)
B	0.60"	(15 mm)
C	1.85"	(47 mm)
D	0.80"	(20.5 mm)
E	1.60"	(40.5 mm)
F	0.24"	(6 mm)
G	1.38"	(35 mm)
H	2.05"	(52 mm)
I	0.28"	(7 mm)
L	3.07"	(78 mm)

#### 20 001 13

A <sub>max.</sub>	2.13"	(54 mm)
B	0.60"	(15 mm)
C	1.85"	(47 mm)
D	1.16"	(29.5 mm)
E	1.80"	(46 mm)
F	0.24"	(6 mm)
G	1.38"	(35 mm)
H	2.28"	(58 mm)
I	0.50"	(13 mm)
L	3.07"	(78 mm)

#### 20 002 13

A <sub>max.</sub>	2.80"	(71.5 mm)
B	0.60"	(15 mm)
C	2.56"	(65 mm)
D	1.16"	(29.5 mm)
E	1.80"	(46 mm)
F	0.24"	(6 mm)
G	1.38"	(35 mm)
H	2.28"	(58 mm)
I	0.50"	(13 mm)
L	4.92"	(125 mm)

#### 20 003 13 ≤ 160 A

A <sub>max.</sub>	2.95"	(75 mm)
B	0.80"	(20 mm)
C	2.56"	(65 mm)
D	1.16"	(29.5 mm)
E	1.80"	(46 mm)
F	0.24"	(6 mm)
G	1.57"	(40 mm)
H	2.28"	(58 mm)
I	0.30"	(8 mm)
L	5.30"	(135 mm)

#### 20 003 13 > 160 A

A <sub>max.</sub>	2.95"	(75 mm)
B	0.80"	(20 mm)
C	2.56"	(65 mm)
D	1.65"	(42 mm)
E	2.03"	(51.5 mm)
F	0.24"	(6 mm)
G	1.57"	(40 mm)
H	2.52"	(64 mm)
I	0.55"	(14 mm)
L	5.30"	(135 mm)

#### 20 004 13 ≤ 160 A

A <sub>max.</sub>	2.95"	(75 mm)
B	0.80"	(20 mm)
C	2.56"	(65 mm)
D	1.16"	(29.5 mm)
E	1.80"	(46 mm)
F	0.24"	(6 mm)
G	1.90"	(48 mm)
H	2.48"	(63 mm)
I	0.24"	(8 mm)
L	5.90"	(150 mm)

#### 20 004 13 200 - 250 A

A <sub>max.</sub>	2.95"	(75 mm)
B	0.80"	(20 mm)
C	2.56"	(65 mm)
D	1.65"	(42 mm)
E	2.03"	(51.5 mm)
F	0.24"	(6 mm)
G	1.90"	(48 mm)
H	2.83"	(72 mm)
I	0.55"	(14 mm)
L	5.90"	(150 mm)

#### 20 004 13 > 250 A

A <sub>max.</sub>	2.95"	(75 mm)
B	1.02"	(26 mm)
C	2.56"	(65 mm)
D	2.10"	(53 mm)
E	2.32"	(59 mm)
F	0.24"	(6 mm)
G	1.90"	(48 mm)
H	2.83"	(72 mm)
I	0.55"	(14 mm)
L	5.90"	(150 mm)

#### 20 005 13 ≤ 400 A

A <sub>max.</sub>	2.95"	(75 mm)
B	1.02"	(26 mm)
C	2.56"	(65 mm)
D	2.10"	(53 mm)
E	2.32"	(59 mm)
F	0.24"	(6 mm)
G	2.36"	(60 mm)
H	3.27"	(83 mm)
I	0.55"	(14 mm)
L	5.90"	(150 mm)

#### 20 005 13 > 400 A

A <sub>max.</sub>	2.95"	(75 mm)
B	1.26"	(32 mm)
C	2.56"	(65 mm)
D	2.56"	(65 mm)
E	2.90"	(73.5 mm)
F	0.24"	(6 mm)
G	2.36"	(60 mm)
H	3.40"	(86 mm)
I	0.67"	(17 mm)
L	5.90"	(150 mm)

#### 20 006 13 400 A - 1250 A

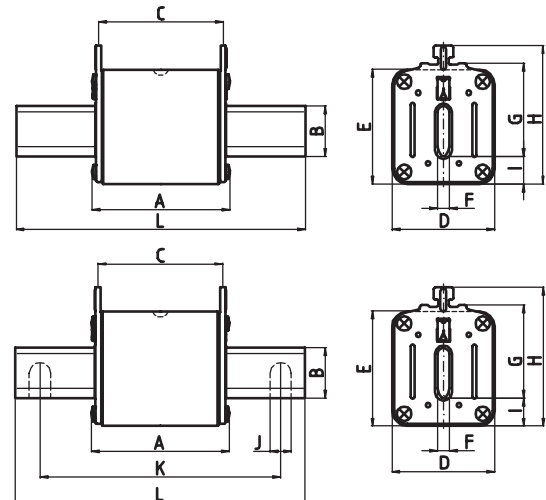
A <sub>max.</sub>	3.54"	(90 mm)
B	1.97"	(50 mm)
C	2.56"	(65 mm)
D	3.94"	(100 mm)
E	4.25"	(108 mm)
F	0.30"	(8 mm)
G	3.35"	(85 mm)
H	4.84"	(123 mm)
I	1.10"	(28 mm)
J	5.90"	(150 mm)
K	0.63"	(16 mm)
L	7.87"	(200 mm)

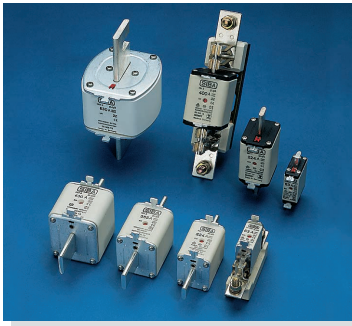
#### 20 006 13 1600 A

A	3.54"	(100 mm)
B	1.97"	(50 mm)
C	3.42"	(87 mm)
D	3.54"	(100 mm)
E	4.25"	(108 mm)
F	0.30"	(8 mm)
G	3.35"	(85 mm)
H	4.84"	(123 mm)
I	1.10"	(28 mm)
J	5.90"	(150 mm)
K	0.63"	(16 mm)
L	7.87"	(200 mm)

#### 20 120 13

A <sub>max.</sub>	3.94"	(100 mm)
B	1.97"	(50 mm)
C	3.43"	(87 mm)
D	3.94"	(100 mm)
E	4.25"	(108 mm)
F	0.24"	(6 mm)
G	3.35"	(85 mm)
H	4.84"	(123 mm)
I	1.10"	(28 mm)
J	-	
K	-	
L	7.87"	(200 mm)





**LOW VOLTAGE FUSES**  
EUROPEAN NH KNIFE-BLADE FUSE SYSTEM

**gG** GENERAL APPLICATION

**Dimensions Metal Removal Tags**      **Rated voltage AC 690 V**      **Standard IEC 60269-2-1**

**20 477 13**

A <sub>max.</sub>	2.13" (54 mm)
B	0.60" (15 mm)
C	1.85" (47 mm)
D	0.80" (20.5 mm)
E	1.60" (40.5 mm)
F	0.24" (6 mm)
G	1.38" (35 mm)
H	2.05" (52 mm)
I	0.28" (7 mm)
L	3.07" (78 mm)

**20 209 13**

A <sub>max.</sub>	2.13" (54 mm)
B	0.60" (15 mm)
C	1.85" (47 mm)
D	1.16" (29.5 mm)
E	1.80" (46 mm)
F	0.24" (6 mm)
G	1.38" (35 mm)
H	2.28" (58 mm)
I	0.50" (13 mm)
L	3.07" (78 mm)

**20 210 13**

A <sub>max.</sub>	2.80" (71.5 mm)
B	0.60" (15 mm)
C	2.56" (65 mm)
D	1.16" (29.5 mm)
E	1.80" (46 mm)
F	0.24" (6 mm)
G	1.38" (35 mm)
H	2.28" (58 mm)
I	0.50" (13 mm)
L	4.92" (125 mm)

**20 211 13**

A <sub>max.</sub>	2.95" (75 mm)
B	0.80" (20 mm)
C	2.56" (65 mm)
D	1.65" (42 mm)
E	2.03" (51.5 mm)
F	0.24" (6 mm)
G	1.57" (40 mm)
H	2.52" (64 mm)
I	0.55" (14 mm)
L	5.30" (135 mm)

**20 212 13 ≤ 200 A**

A <sub>max.</sub>	2.95" (75 mm)
B	0.80" (20 mm)
C	2.56" (65 mm)
D	1.65" (42 mm)
E	2.03" (51.5 mm)
F	0.24" (6 mm)
G	1.90" (48 mm)
H	2.83" (72 mm)
I	0.55" (14 mm)
L	5.90" (150 mm)

**20 212 13 > 200 A**

A <sub>max.</sub>	2.95" (75 mm)
B	1.02" (26 mm)
C	2.56" (65 mm)
D	2.10" (53 mm)
E	2.32" (59 mm)
F	0.24" (6 mm)
G	1.90" (48 mm)
H	2.83" (72 mm)
I	0.55" (14 mm)
L	5.90" (150 mm)

**20 213 13 ≤ 315 A**

A <sub>max.</sub>	2.95" (75 mm)
B	1.02" (26 mm)
C	2.56" (65 mm)
D	2.10" (53 mm)
E	2.32" (59 mm)
F	0.24" (6 mm)
G	2.36" (60 mm)
H	3.27" (83 mm)
I	0.55" (14 mm)
L	5.90" (150 mm)

**20 213 13 355 - 425 A**

A <sub>max.</sub>	2.95" (75 mm)
B	1.26" (32 mm)
C	2.56" (65 mm)
D	2.56" (65 mm)
E	2.90" (73.5 mm)
F	0.24" (6 mm)
G	2.36" (60 mm)
H	3.40" (86 mm)
I	0.67" (17 mm)
L	5.90" (150 mm)

**20 213 13 ≥ 500 A**

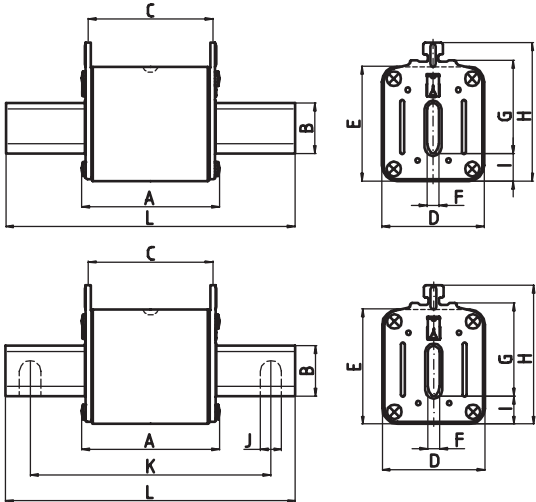
A <sub>max.</sub>	2.95" (75 mm)
B	1.26" (32 mm)
C	2.56" (65 mm)
D	2.87" (73 mm)
E	2.87" (73 mm)
F	0.24" (6 mm)
G	2.36" (60 mm)
H	3.40" (86 mm)
I	0.63" (16 mm)
L	5.90" (150 mm)

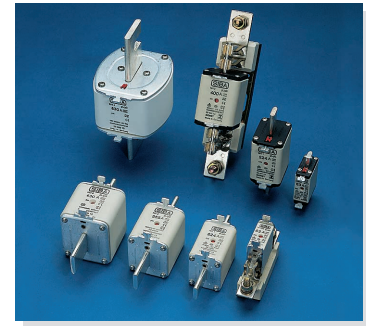
**20 225 13**

A <sub>max.</sub>	3.54" (90 mm)
B	1.97" (50 mm)
C	2.56" (65 mm)
D	3.94" (100 mm)
E	4.25" (108 mm)
F	0.30" (8 mm)
G	3.35" (85 mm)
H	4.84" (123 mm)
I	1.10" (28 mm)
J	5.90" (150 mm)
K	0.63" (16 mm)
L	7.87" (200 mm)

**20 227 13**

A <sub>max.</sub>	3.94" (100 mm)
B	1.97" (50 mm)
C	3.43" (87 mm)
D	3.94" (100 mm)
E	4.25" (108 mm)
F	0.24" (6 mm)
G	3.35" (85 mm)
H	4.84" (123 mm)
I	1.10" (28 mm)
J	-
K	-
L	7.87" (200 mm)





**LOW VOLTAGE FUSES**  
EUROPEAN NH KNIFE-BLADE FUSE SYSTEM

**gG** GENERAL APPLICATION

**Size 000** **Insulated Removal Tags with combi indicator** **Standard IEC 60269-2-1**

**Rated voltage AC 500 V**

Rated current	Part No.	Weight (kg/1)	Pack
2 A	20 438 13	0.12	10
4 A	20 438 13	0.12	10
6 A	20 438 13	0.12	10
10 A	20 438 13	0.12	10
16 A	20 438 13	0.12	10
20 A	20 438 13	0.12	10
25 A	20 438 13	0.12	10
32 A	20 438 13	0.12	10
35 A	20 438 13	0.12	10
40 A	20 438 13	0.12	10
50 A	20 438 13	0.12	10
63 A	20 438 13	0.12	10
80 A	20 438 13	0.12	10
100 A	20 438 13	0.12	10

**Rated voltage AC 690 V**

Rated current	Part No.	Weight (kg/1)	Pack
2 A	20 452 13	0.12	10
4 A	20 452 13	0.12	10
6 A	20 452 13	0.12	10
10 A	20 452 13	0.12	10
16 A	20 452 13	0.12	10
20 A	20 452 13	0.12	10
25 A	20 452 13	0.12	10
32 A	20 452 13	0.12	10
35 A	20 452 13	0.12	10
40 A	20 452 13	0.12	10
50 A	20 452 13	0.12	10

**Size 00** **Insulated Removal Tags with combi indicator** **Standard IEC 60269-2-1**

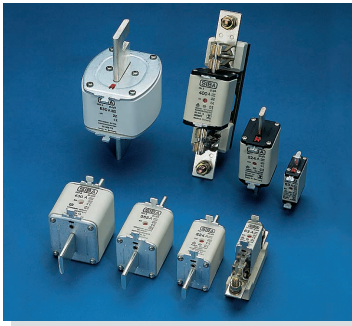
**Rated voltage AC 500 V**

Rated current	Part No.	Weight (kg/1)	Pack
125 A	20 439 13	0.154	10
160 A	20 439 13	0.154	10

**Rated voltage AC 690 V**

Rated current	Part No.	Weight (kg/1)	Pack
63 A	20 453 13	0.154	10
80 A	20 453 13	0.154	10
100 A	20 453 13	0.154	10
125 A	20 453 13	0.154	10

Dimensions see Page NH 15



**LOW VOLTAGE FUSES**  
EUROPEAN NH KNIFE-BLADE FUSE SYSTEM

**gG** GENERAL APPLICATION

**Size 1** **Insulated Removal Tags with combi indicator** **Standard IEC 60269-2-1**

**Rated voltage AC 500 V**

Rated current	Part No.	Weight (kg/1)	Pack
16 A	20 441 13	0.28	3
20 A	20 441 13	0.28	3
25 A	20 441 13	0.28	3
32 A	20 441 13	0.28	3
35 A	20 441 13	0.28	3
40 A	20 441 13	0.28	3
50 A	20 441 13	0.28	3
63 A	20 441 13	0.28	3
80 A	20 441 13	0.28	3
100 A	20 441 13	0.28	3
125 A	20 441 13	0.28	3
160 A	20 441 13	0.28	3
200 A	20 441 13	0.44	3
224 A	20 441 13	0.44	3
250 A	20 441 13	0.44	3

**Rated voltage AC 690 V**

Rated current	Part No.	Weight (kg/1)	Pack
16 A	20 455 13	0.44	3
20 A	20 455 13	0.44	3
25 A	20 455 13	0.44	3
32 A	20 455 13	0.44	3
35 A	20 455 13	0.44	3
40 A	20 455 13	0.44	3
50 A	20 455 13	0.44	3
63 A	20 455 13	0.44	3
80 A	20 455 13	0.44	3
100 A	20 455 13	0.44	3
125 A	20 455 13	0.44	3
160 A	20 455 13	0.44	3
200 A	20 455 13	0.44	3

**Size 2** **Insulated Removal Tags with combi indicator** **Standard IEC 60269-2-1**

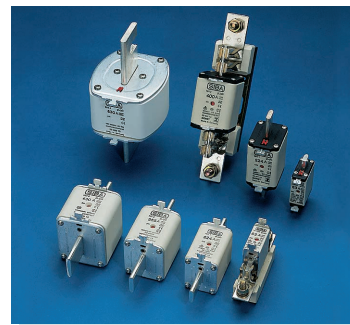
**Rated voltage AC 500 V**

Rated current	Part No.	Weight (kg/1)	Pack
35 A	20 442 13	0.28	3
40 A	20 442 13	0.28	3
50 A	20 442 13	0.28	3
63 A	20 442 13	0.28	3
80 A	20 442 13	0.28	3
100 A	20 442 13	0.28	3
125 A	20 442 13	0.28	3
160 A	20 442 13	0.28	3
200 A	20 442 13	0.48	3
224 A	20 442 13	0.48	3
250 A	20 442 13	0.48	3
300 A	20 442 13	0.65	3
315 A	20 442 13	0.65	3
355 A	20 442 13	0.65	3
400 A	20 442 13	0.65	3

**Rated voltage AC 690 V**

Rated current	Part No.	Weight (kg/1)	Pack
35 A	20 456 13	0.48	3
40 A	20 456 13	0.48	3
50 A	20 456 13	0.48	3
63 A	20 456 13	0.48	3
80 A	20 456 13	0.48	3
100 A	20 456 13	0.48	3
125 A	20 456 13	0.48	3
160 A	20 456 13	0.48	3
200 A	20 456 13	0.48	3
224 A	20 456 13	0.65	3
250 A	20 456 13	0.65	3
300 A	20 456 13	0.65	3
315 A	20 456 13	0.65	3

Dimensions see Page NH 15



**LOW VOLTAGE FUSES**  
EUROPEAN NH KNIFE-BLADE FUSE SYSTEM

**gG** GENERAL APPLICATION

Size **3**    Rated voltage **AC 500 V**    Insulated Removal Tags with combi indicator    Standard **IEC 60269-2-1**

Rated current	Part No.	Weight (kg/1)	Pack
300 A	20 443 13	0.88	3
315 A	20 443 13	0.88	3
355 A	20 443 13	0.88	3
400 A	20 443 13	0.88	3
425 A	20 443 13	0.88	3
500 A	20 443 13	0.88	3
630 A	20 443 13	0.88	3

Dimensions see Page NH 15



**LOW VOLTAGE FUSES**  
EUROPEAN NH KNIFE-BLADE FUSE SYSTEM

**gG** GENERAL APPLICATION

**Dimensions Insulated Removal Tags** Standard IEC 60269-2-1

**20 438 13**

A <sub>max.</sub>	2.13" (54 mm)
B	0.60" (15 mm)
C	1.85" (47 mm)
D	0.80" (20.5 mm)
E	1.60" (40.5 mm)
F	0.24" (6 mm)
G	1.38" (35 mm)
H	2.05" (52 mm)
I	0.28" (7 mm)
L	3.07" (78 mm)

**20 439 13**

A <sub>max.</sub>	2.13" (54 mm)
B	0.60" (15 mm)
C	1.85" (47 mm)
D	1.16" (29.5 mm)
E	1.80" (46 mm)
F	0.24" (6 mm)
G	1.38" (35 mm)
H	2.28" (58 mm)
I	0.50" (13 mm)
L	3.07" (78 mm)

**20 441 13**  
≤ 160 A

A <sub>max.</sub>	2.95" (75 mm)
B	0.80" (20 mm)
C	2.56" (65 mm)
D	1.16" (29.5 mm)
E	1.80" (46 mm)
F	0.24" (6 mm)
G	1.57" (40 mm)
H	2.28" (58 mm)
I	0.30" (8 mm)
L	5.30" (135 mm)

**20 441 13**  
> 160 A

A <sub>max.</sub>	2.95" (75 mm)
B	0.80" (20 mm)
C	2.56" (65 mm)
D	1.65" (42 mm)
E	2.03" (51.5 mm)
F	0.24" (6 mm)
G	1.57" (40 mm)
H	2.52" (64 mm)
I	0.55" (14 mm)
L	5.30" (135 mm)

**20 442 13**  
≤ 160 A

A <sub>max.</sub>	2.95" (75 mm)
B	0.80" (20 mm)
C	2.56" (65 mm)
D	1.16" (29.5 mm)
E	1.80" (46 mm)
F	0.24" (6 mm)
G	1.90" (48 mm)
H	2.48" (63 mm)
I	0.24" (6 mm)
L	5.90" (150 mm)

**20 442 13**  
200 - 250 A

A <sub>max.</sub>	2.95" (75 mm)
B	0.80" (20 mm)
C	2.56" (65 mm)
D	1.65" (42 mm)
E	2.03" (51.5 mm)
F	0.24" (6 mm)
G	1.90" (48 mm)
H	2.83" (72 mm)
I	0.55" (14 mm)
L	5.90" (150 mm)

**20 442 13**  
> 250 A

A <sub>max.</sub>	2.95" (75 mm)
B	1.02" (26 mm)
C	2.56" (65 mm)
D	2.10" (53 mm)
E	2.32" (59 mm)
F	0.24" (6 mm)
G	1.90" (48 mm)
H	2.83" (72 mm)
I	0.55" (14 mm)
L	5.90" (150 mm)

**20 443 13**

A <sub>max.</sub>	2.95" (75 mm)
B	1.26" (32 mm)
C	2.56" (65 mm)
D	2.56" (65 mm)
E	2.90" (73.5 mm)
F	0.24" (6 mm)
G	2.36" (60 mm)
H	3.40" (86 mm)
I	0.67" (17 mm)
L	5.90" (150 mm)

**20 452 13**

A <sub>max.</sub>	2.13" (54 mm)
B	0.60" (15 mm)
C	1.85" (47 mm)
D	0.80" (20.5 mm)
E	1.60" (40.5 mm)
F	0.24" (6 mm)
G	1.38" (35 mm)
H	2.05" (52 mm)
I	0.28" (7 mm)
L	3.07" (78 mm)

**20 453 13**

A <sub>max.</sub>	2.13" (54 mm)
B	0.60" (15 mm)
C	1.85" (47 mm)
D	1.16" (29.5 mm)
E	1.80" (46 mm)
F	0.24" (6 mm)
G	1.38" (35 mm)
H	2.28" (58 mm)
I	0.50" (13 mm)
L	3.07" (78 mm)

**20 455 13**

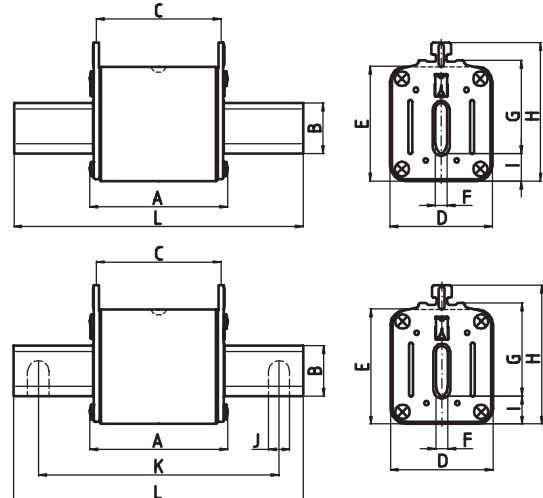
A <sub>max.</sub>	2.95" (75 mm)
B	0.80" (20 mm)
C	2.56" (65 mm)
D	1.65" (42 mm)
E	2.03" (51.5 mm)
F	0.24" (6 mm)
G	1.57" (40 mm)
H	2.52" (64 mm)
I	0.55" (14 mm)
L	5.30" (135 mm)

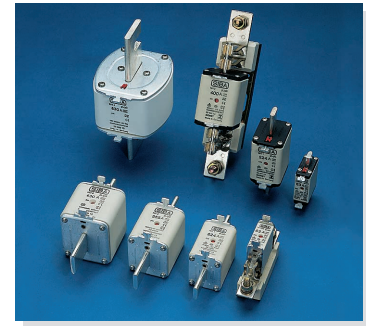
**20 456 13**  
≤ 200 A

A <sub>max.</sub>	2.95" (75 mm)
B	0.80" (20 mm)
C	2.56" (65 mm)
D	1.65" (42 mm)
E	2.03" (51.5 mm)
F	0.24" (6 mm)
G	1.90" (48 mm)
H	2.83" (72 mm)
I	0.55" (14 mm)
L	5.90" (150 mm)

**20 456 13**  
> 200 A

A <sub>max.</sub>	2.95" (75 mm)
B	1.02" (26 mm)
C	2.56" (65 mm)
D	2.10" (53 mm)
E	2.32" (59 mm)
F	0.24" (6 mm)
G	1.90" (48 mm)
H	2.83" (72 mm)
I	0.55" (14 mm)
L	5.90" (150 mm)





## LOW VOLTAGE FUSES EUROPEAN NH KNIFE-BLADE FUSE SYSTEM

**gB** GENERAL APPLICATION

**Size 000**      **Rated voltage AC 1000 V**      **Metal Removal Tags with top indicator**

Rated current	Part No.	Weight (kg/1)	Pack
6 A	20 386 03	0.18	3
10 A	20 386 03	0.18	3
16 A	20 386 03	0.18	3
20 A	20 386 03	0.18	3
25 A	20 386 03	0.18	3
35 A	20 386 03	0.18	3
50 A	20 386 03	0.18	3
63 A	20 386 03	0.18	3
80 A	20 386 03	0.18	3
100 A	20 386 03	0.18	3

**Size 00**      **Rated voltage AC 1000 V**      **Metal Removal Tags with top indicator**

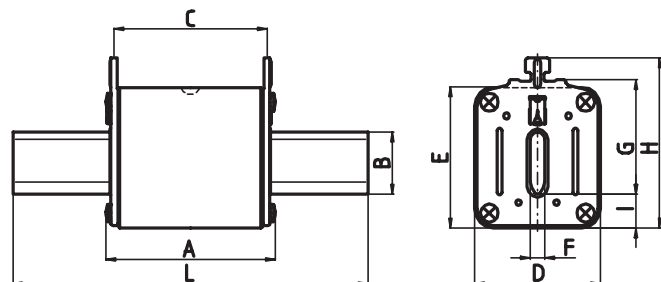
Rated current	Part No.	Weight (kg/1)	Pack
6 A	20 389 03	0.28	3
20 A	20 389 03	0.28	3
25 A	20 389 03	0.28	3
35 A	20 389 03	0.28	3
50 A	20 389 03	0.28	3
63 A	20 389 03	0.28	3
50 A	20 389 03	0.28	3
80 A	20 389 03	0.28	3
100 A	20 389 03	0.28	3
125 A	20 389 03	0.28	3
160 A	20 389 03	0.28	3

**20 389 03**

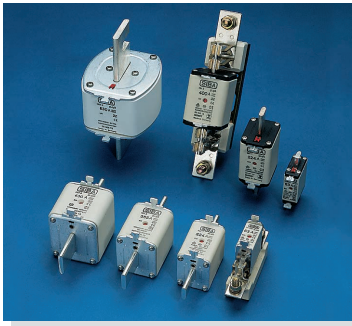
**20 386 03**

A <sub>max.</sub>	3.66" (93 mm)
B	0.60" (15 mm)
C	3.35" (85 mm)
D	1.16" (29.5 mm)
E	1.81" (46 mm)
F	0.24" (6 mm)
G	1.38" (35 mm)
H	2.28" (58 mm)
I	0.50" (13 mm)
L	4.61" (117 mm)

A <sub>max.</sub>	3.39" (86 mm)
B	0.60" (15 mm)
C	3.07" (78 mm)
D	0.80" (20.5 mm)
E	1.60" (40.5 mm)
F	0.24" (6 mm)
G	1.38" (35 mm)
H	2.05" (52 mm)
I	0.28" (7 mm)
L	4.33" (110 mm)







**LOW VOLTAGE FUSES**  
EUROPEAN NH KNIFE-BLADE FUSE SYSTEM

**aM** MOTOR CIRCUIT  
PROTECTION

<b>Size</b> <b>000</b>	<b>Rated voltage</b> <b>AC 690 V</b>	<b>Metal Removal Tags</b> <b>with combi indicator</b>	<b>Standard</b> <b>IEC 60269-2</b>
---------------------------	---	--	---------------------------------------

Rated current	Part No.	Weight (kg/1)	Pack
16 A	20 477 08	0.11	3
20 A	20 477 08	0.11	3
25 A	20 477 08	0.11	3
35 A	20 477 08	0.11	3
50 A	20 477 08	0.11	3

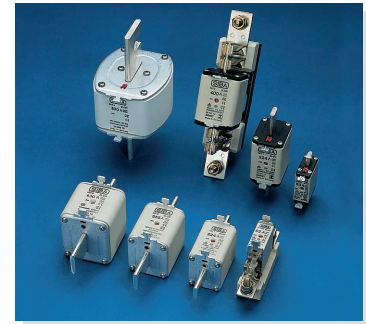
<b>Size</b> <b>00</b>	<b>Rated voltage</b> <b>AC 690 V</b>	<b>Metal Removal Tags</b> <b>with combi indicator</b>	<b>Standard</b> <b>IEC 60269-2</b>
--------------------------	---	--	---------------------------------------

Rated current	Part No.	Weight (kg/1)	Pack
63 A	20 209 08	0.154	3
80 A	20 209 08	0.154	3
100 A	20 209 08	0.154	3
125 A	20 209 08	0.154	3

<b>Size</b> <b>0</b>	<b>Rated voltage</b> <b>AC 690 V</b>	<b>Metal Removal Tags</b> <b>with combi indicator</b>	<b>Standard</b> <b>IEC 60269-2</b>
-------------------------	---	--	---------------------------------------

Rated current	Part No.	Weight (kg/1)	Pack
16 A	20 210 08	0.23	3
20 A	20 210 08	0.23	3
25 A	20 210 08	0.23	3
35 A	20 210 08	0.23	3
50 A	20 210 08	0.23	3
63 A	20 210 08	0.23	3
80 A	20 210 08	0.23	3
100 A	20 210 08	0.23	3
125 A	20 210 08	0.23	3
160 A	20 210 08	0.23	3

Dimensions see Page NH 20



**LOW VOLTAGE FUSES**  
EUROPEAN NH KNIFE-BLADE FUSE SYSTEM

**aM** MOTOR CIRCUIT  
PROTECTION

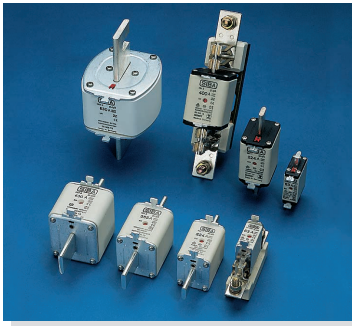
**Size 1**      **Rated voltage AC 690 V**      **Metal Removal Tags with combi indicator**      **Standard IEC 60269-2**

Rated current	Part No.	Weight (kg/1)	Pack
16 A	20 211 08	0.44	3
20 A	20 211 08	0.44	3
25 A	20 211 08	0.44	3
35 A	20 211 08	0.44	3
50 A	20 211 08	0.44	3
63 A	20 211 08	0.44	3
80 A	20 211 08	0.44	3
100 A	20 211 08	0.44	3
125 A	20 211 08	0.44	3
160 A	20 211 08	0.44	3
200 A	20 211 08	0.44	3
250 A	20 211 08	0.44	3

**Size 2**      **Rated voltage AC 690 V**      **Metal Removal Tags with combi indicator**      **Standard IEC 60269-2**

Rated current	Part No.	Weight (kg/1)	Pack
35 A	20 212 08	0.48	3
50 A	20 212 08	0.48	3
63 A	20 212 08	0.48	3
80 A	20 212 08	0.48	3
100 A	20 212 08	0.48	3
125 A	20 212 08	0.48	3
160 A	20 212 08	0.48	3
200 A	20 212 08	0.48	3
250 A	20 212 08	0.65	3
315 A	20 212 08	0.65	3
355 A	20 212 08	0.65	3
400 A	20 212 08	0.65	3

Dimensions see Page NH 20



**LOW VOLTAGE FUSES**  
EUROPEAN NH KNIFE-BLADE FUSE SYSTEM

**aM** MOTOR CIRCUIT  
PROTECTION

<b>Size</b> <b>3</b>	<b>Rated voltage</b> <b>AC 660/690 V</b>	<b>Metal Removal Tags</b> <b>with combi indicator</b>	<b>Standard</b> <b>IEC 60269-2</b>
-------------------------	---	--	---------------------------------------

Rated current	Part No.	Weight (kg/1)	Pack
315 A	20 213 08	0.65	3
400 A	20 213 08	0.88	1
500 A	20 213 08*	1.27	1
630 A	20 213 08*	1.27	1

\* with top indicator

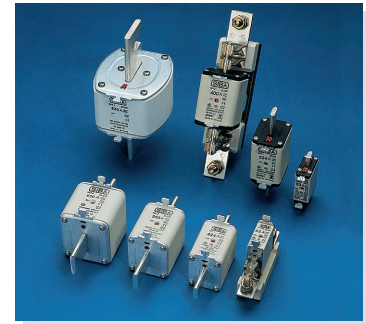
<b>Size</b> <b>4</b>	<b>Rated voltage</b> <b>AC 690 V</b>	<b>Metal Removal Tags</b> <b>with top indicator</b>	<b>Standard</b> <b>IEC 60269-2</b>
-------------------------	---	--	---------------------------------------

Rated current	Part No.	Weight (kg/1)	Pack
400 A	20 225 08	2.46	1
500 A	20 225 08	2.46	1
630 A	20 225 08	2.46	1
800 A	20 225 08	2.46	1
1000 A	20 225 08	2.46	1

<b>Size</b> <b>4a</b>	<b>Rated voltage</b> <b>AC 690 V</b>	<b>Metal Removal Tags</b> <b>with top indicator</b>	<b>Standard</b> <b>IEC 60269-2</b>
--------------------------	---	--	---------------------------------------

Rated current	Part No.	Weight (kg/1)	Pack
400 A	20 227 08	3.0	1
500 A	20 227 08	3.0	1
630 A	20 227 08	3.0	1
800 A	20 227 08	3.0	1
1000 A	20 227 08	3.0	1

Dimensions see Page NH 20



## LOW VOLTAGE FUSES EUROPEAN NH KNIFE-BLADE FUSE SYSTEM

**aM** MOTOR CIRCUIT  
PROTECTION

### Dimensions Metal Removal Tags

### Rated voltage AC 690 V

### Standard IEC 60269-2

#### 20 477 08

A <sub>max.</sub>	2.13"	(54 mm)
B	0.60"	(15 mm)
C	1.85"	(47 mm)
D	0.80"	(20.5 mm)
E	1.60"	(40.5 mm)
F	0.24"	(6 mm)
G	1.38"	(35 mm)
H	2.05"	(52 mm)
I	0.28"	(7 mm)
L	3.07"	(78 mm)

#### 20 209 08

A <sub>max.</sub>	2.13"	(54 mm)
B	0.60"	(15 mm)
C	1.85"	(47 mm)
D	1.16"	(29.5 mm)
E	1.80"	(46 mm)
F	0.24"	(6 mm)
G	1.38"	(35 mm)
H	2.28"	(58 mm)
I	0.50"	(13 mm)
L	3.07"	(78 mm)

#### 20 210 08

A <sub>max.</sub>	2.80"	(71.5 mm)
B	0.60"	(15 mm)
C	2.56"	(65 mm)
D	1.16"	(29.5 mm)
E	1.80"	(46 mm)
F	0.24"	(6 mm)
G	1.38"	(35 mm)
H	2.28"	(58 mm)
I	0.50"	(13 mm)
L	4.92"	(125 mm)

#### 20 211 08

A <sub>max.</sub>	2.95"	(75 mm)
B	0.80"	(20 mm)
C	2.56"	(65 mm)
D	1.65"	(42 mm)
E	2.03"	(51.5 mm)
F	0.24"	(6 mm)
G	1.57"	(40 mm)
H	2.52"	(64 mm)
I	0.55"	(14 mm)
L	5.30"	(135 mm)

#### 20 212 08 ≤ 200 A

A <sub>max.</sub>	2.95"	(75 mm)
B	0.80"	(20 mm)
C	2.56"	(65 mm)
D	1.65"	(42 mm)
E	2.03"	(51.5 mm)
F	0.24"	(6 mm)
G	1.90"	(48 mm)
H	2.83"	(72 mm)
I	0.55"	(14 mm)
L	5.90"	(150 mm)

#### 20 212 08 ≥ 224 A

A <sub>max.</sub>	2.95"	(75 mm)
B	1.02"	(26 mm)
C	2.56"	(65 mm)
D	2.10"	(53 mm)
E	2.32"	(59 mm)
F	0.24"	(6 mm)
G	1.90"	(48 mm)
H	2.83"	(72 mm)
I	0.55"	(14 mm)
L	5.90"	(150 mm)

#### 20 213 08 ≤ 315 A

A <sub>max.</sub>	2.95"	(75 mm)
B	1.02"	(26 mm)
C	2.56"	(65 mm)
D	2.10"	(53 mm)
E	2.32"	(59 mm)
F	0.24"	(6 mm)
G	2.36"	(60 mm)
H	3.27"	(83 mm)
I	0.55"	(14 mm)
L	5.90"	(150 mm)

#### 20 213 08 400 A

A <sub>max.</sub>	2.95"	(75 mm)
B	1.26"	(32 mm)
C	2.56"	(65 mm)
D	2.56"	(65 mm)
E	2.90"	(73.5 mm)
F	0.24"	(6 mm)
G	2.36"	(60 mm)
H	3.40"	(86 mm)
I	0.67"	(17 mm)
L	5.90"	(150 mm)

#### 20 213 08 500 - 630 A

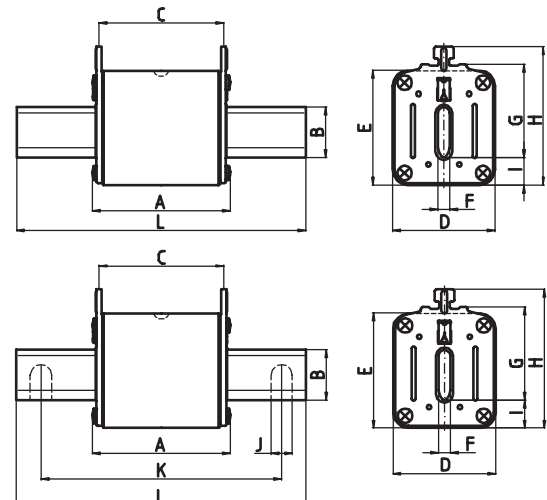
A <sub>max.</sub>	2.95"	(75 mm)
B	1.26"	(32 mm)
C	2.56"	(65 mm)
D	2.87"	(73 mm)
E	2.87"	(73 mm)
F	0.24"	(6 mm)
G	2.36"	(60 mm)
H	3.40"	(86 mm)
I	0.63"	(16 mm)
L	5.90"	(150 mm)

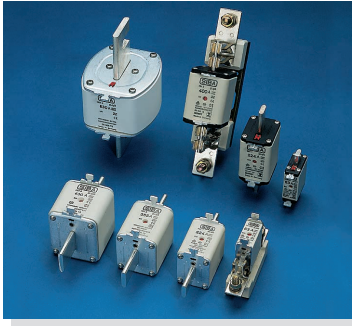
#### 20 225 08

A <sub>max.</sub>	3.54"	(90 mm)
B	1.97"	(50 mm)
C	2.56"	(65 mm)
D	3.94"	(100 mm)
E	4.25"	(108 mm)
F	0.30"	(8 mm)
G	3.35"	(85 mm)
H	4.84"	(123 mm)
I	1.10"	(28 mm)
J	5.90"	(150 mm)
K	0.63"	(16 mm)
L	7.87"	(200 mm)

#### 20 227 08

A <sub>max.</sub>	3.94"	(100 mm)
B	1.97"	(50 mm)
C	3.43"	(87 mm)
D	3.94"	(100 mm)
E	4.25"	(108 mm)
F	0.24"	(6 mm)
G	3.35"	(85 mm)
H	4.84"	(123 mm)
I	1.10"	(28 mm)
J	-	
K	-	
L	7.87"	(200 mm)





**LOW VOLTAGE FUSES**  
EUROPEAN NH KNIFE-BLADE FUSE SYSTEM

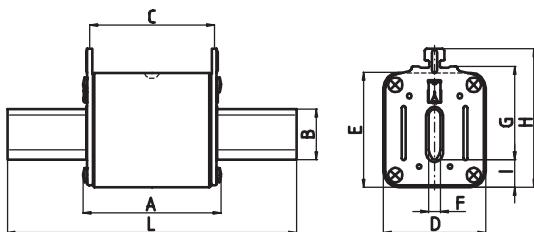
**aM** MOTOR CIRCUIT  
PROTECTION

<b>Size</b> <b>000</b>	<b>Rated voltage</b> <b>AC 1000 V</b>	<b>Metal Removal Tags</b> <b>with top indicator</b>	<b>Standard</b> <b>IEC 60269-2</b>
---------------------------	--	--	---------------------------------------

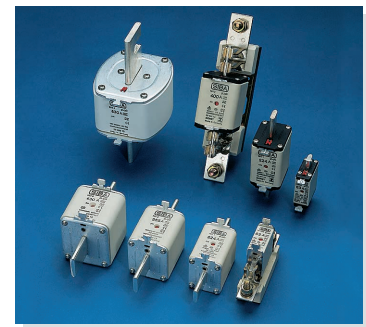
Rated current	Part No.	Weight (kg/1)	Pack
16 A	20 386 08	0.18	3
20 A	20 386 08	0.18	3
25 A	20 386 08	0.18	3
35 A	20 386 08	0.18	3
50 A	20 386 08	0.18	3
63 A	20 386 08	0.18	3
80 A	20 386 08	0.18	3
100 A	20 386 08	0.18	3

<b>Size</b> <b>00</b>	<b>Rated voltage</b> <b>AC 1000 V</b>	<b>Metal Removal Tags</b> <b>with top indicator</b>	<b>Standard</b> <b>IEC 60269-2</b>
--------------------------	--	--	---------------------------------------

Rated current	Part No.	Weight (kg/1)	Pack
125 A	20 389 08	0.28	3
160 A	20 389 08	0.28	3



	20 386 08	20 389 08
<b>A<sub>max.</sub></b>	<b>3.39"</b> (86 mm)	<b>3.66"</b> (93 mm)
<b>B</b>	<b>0.60"</b> (15 mm)	<b>0.60"</b> (15 mm)
<b>C</b>	<b>3.07"</b> (78 mm)	<b>3.35"</b> (85 mm)
<b>D</b>	<b>0.80"</b> (20.5 mm)	<b>1.16"</b> (29.5 mm)
<b>E</b>	<b>1.60"</b> (40.5 mm)	<b>1.81"</b> (46 mm)
<b>F</b>	<b>0.24"</b> (6 mm)	<b>0.24"</b> (6 mm)
<b>G</b>	<b>1.38"</b> (35 mm)	<b>1.38"</b> (35 mm)
<b>H</b>	<b>2.05"</b> (52 mm)	<b>2.28"</b> (58 mm)
<b>I</b>	<b>0.28"</b> (7 mm)	<b>0.50"</b> (13 mm)
<b>L</b>	<b>4.33"</b> (110 mm)	<b>4.61"</b> (117 mm)



**LOW VOLTAGE FUSES**  
EUROPEAN NH KNIFE-BLADE FUSE SYSTEM

**gTr** TRANSFORMER  
PROTECTION

**Size 2**      **Rated voltage AC 400 V**      **Metal Removal Tags with combi indicator**      **Standard VDE 0636/2011**

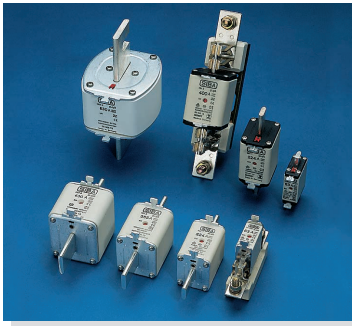
Rated current	Rated transformer capacity kVA	Part No.	Weight (kg/1)	Pack
72 A	50	20 004 15	0.65	3
108 A	75	20 004 15	0.65	3
144 A	100	20 004 15	0.65	3
180 A	125	20 004 15	0.65	3
231 A	160	20 004 15	0.65	3
289 A	200	20 004 15	0.65	3
361 A	250	20 004 15	0.65	3

**Size 3**      **Rated voltage AC 400 V**      **Metal Removal Tags with combi indicator**      **Standard VDE 0636/2011**

Rated current	Rated transformer capacity kVA	Part No.	Weight (kg/1)	Pack
72 A	50	20 005 15	0.88	3
108 A	75	20 005 15	0.88	3
144 A	100	20 005 15	0.88	3
180 A	125	20 005 15	0.88	3
231 A	160	20 005 15	0.88	3
289 A	200	20 005 15	0.88	3
361 A	250	20 005 15	0.88	3
455 A	315	20 005 15	0.88	3
577 A	400	20 005 15	0.88	3
722 A	500	20 005 15*	0.88	3
909 A	630	20 005 15*	0.88	3

\* with top indicator

Dimensions see Page NH 23



**LOW VOLTAGE FUSES**  
EUROPEAN NH KNIFE-BLADE FUSE SYSTEM

**gTr** TRANSFORMER  
PROTECTION

**Size 4a**      **Rated voltage AC 400 V**      **Metal Removal Tags with top indicator**      **Standard VDE 0636/2011**

Rated current	Rated transformer capacity kVA	Part No.	Weight (kg/1)	Pack
72 A	50	20 120 15	3.0	1
108 A	75	20 120 15	3.0	1
144 A	100	20 120 15	3.0	1
180 A	125	20 120 15	3.0	1
231 A	160	20 120 15	3.0	1
289 A	200	20 120 15	3.0	1
361 A	250	20 120 15	3.0	1
455 A	315	20 120 15	3.0	1
577 A	400	20 120 15	3.0	1
722 A	500	20 120 15	3.0	1
909 A	630	20 120 15	3.0	1
1155 A	800	20 120 15	3.0	1
1443 A	1000	20 120 15	3.0	1

**20 004 15**

A <sub>max.</sub>	2.95" (75 mm)
B	1.02" (26 mm)
C	2.56" (65 mm)
D	2.10" (53 mm)
E	2.32" (59 mm)
F	0.24" (6 mm)
G	1.90" (48 mm)
H	2.83" (72 mm)
I	0.55" (14 mm)
L	5.90" (150 mm)

**20 005 15**  
**≤ 577 A**

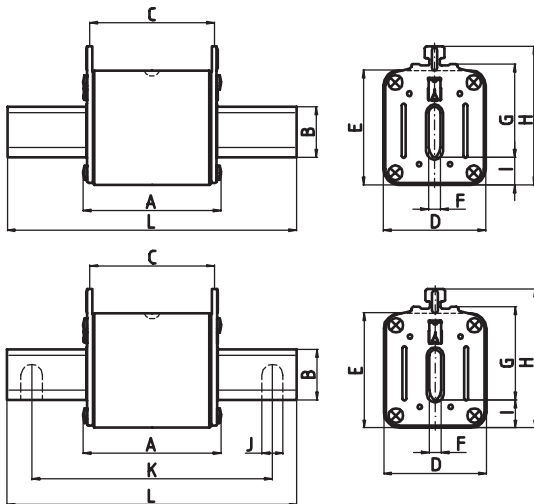
A <sub>max.</sub>	2.95" (75 mm)
B	1.26" (32 mm)
C	2.56" (65 mm)
D	2.56" (65 mm)
E	2.90" (73.5 mm)
F	0.24" (6 mm)
G	2.36" (60 mm)
H	3.40" (86 mm)
I	0.67" (17 mm)
L	5.90" (150 mm)

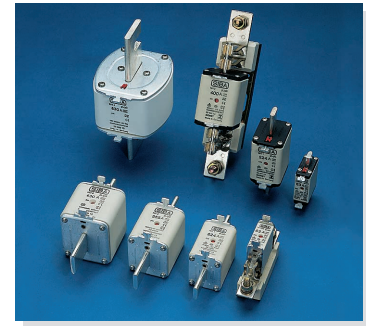
**20 005 15**  
**> 577 A**

A <sub>max.</sub>	2.95" (75 mm)
B	1.26" (32 mm)
C	2.56" (65 mm)
D	2.87" (73 mm)
E	2.87" (73 mm)
F	0.24" (6 mm)
G	2.36" (60 mm)
H	3.40" (86 mm)
I	0.63" (16 mm)
L	5.90" (150 mm)

**20 120 15**

A <sub>max.</sub>	3.94" (100 mm)
B	1.97" (50 mm)
C	3.43" (87 mm)
D	3.94" (100 mm)
E	4.25" (108 mm)
F	0.24" (6 mm)
G	3.35" (85 mm)
H	4.84" (123 mm)
I	1.10" (28 mm)
J	-
K	-
L	7.87" (200 mm)



**NH****SIBA**  
FUSES

## LOW VOLTAGE FUSES

EUROPEAN NH KNIFE-BLADE FUSE SYSTEM

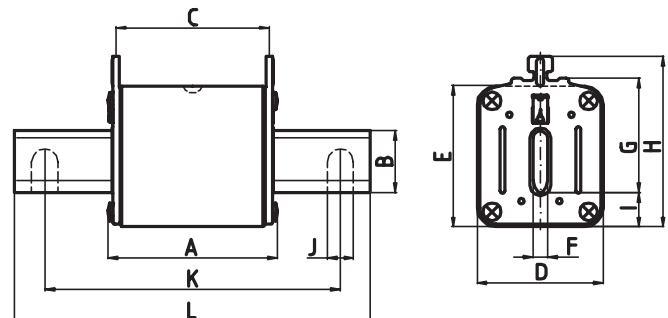
**gTF** GENERAL APPLICATION

Size **3** Rated voltage **AC 1500 V** Metal Removal Tags

Rated current	Part No.	Weight (kg/1)	Pack
6 A	20 246 02	1.35	1
10 A	20 246 02	1.35	1
16 A	20 246 02	1.35	1
20 A	20 246 02	1.35	1
25 A	20 246 02	1.35	1
36 A	20 246 02	1.35	1
50 A	20 246 02	1.35	1
63 A	20 246 02	1.35	1
80 A	20 246 02	1.35	1
100 A	20 246 02	1.35	1
125 A	20 246 02	1.35	1
160 A	20 246 02	1.35	1
200 A	20 246 02	1.35	1
250 A	20 246 02	1.35	1
315 A	20 246 02	1.35	1

### 20 246 02

A	5.12" (130 mm)
B	1.26" (32 mm)
C	4.72" (120 mm)
D	2.40" (61 mm)
E	2.72" (69 mm)
F	0.24" (6 mm)
G	2.36" (60 mm)
H	3.20" (81 mm)
I	0.47" (12 mm)
L	8.07" (205 mm)





<b>Size</b> <b>000</b>	<b>Rated voltage</b> <b>AC 500 V</b>	<b>Operating class</b> <b>gG</b>	<b>Rated breaking capacity</b> <b>120 kA</b>	<b>Standard</b> <b>IEC 60269-2-1</b>
---------------------------	---	-------------------------------------	---	---

Rated current	Part No.	Power loss W	Pre-arcing I <sup>2</sup> t-value A <sup>2</sup> s	Total I <sup>2</sup> t-value @ 254 V A <sup>2</sup> s	Total I <sup>2</sup> t-value @ 440 V A <sup>2</sup> s
6 A	20 000 13/20 438 13	1.4	36	75	130
10 A	20 000 13/20 438 13	1.2	230	320	560
16 A	20 000 13/20 438 13	1.6	420	490	810
20 A	20 000 13/20 438 13	1.8	760	910	1,480
25 A	20 000 13/20 438 13	2.3	1,440	1,780	2,890
32 A	20 000 13/20 438 13	3.1	2,600	3,360	5,630
35 A	20 000 13/20 438 13	3.8	3,100	4,770	7,610
40 A	20 000 13/20 438 13	4.0	4,700	6,750	11,300
50 A	20 000 13/20 438 13	4.0	5,900	8,340	13,600
63 A	20 000 13/20 438 13	4.5	10,300	16,200	26,400
80 A	20 000 13/20 438 13	5.4	17,300	27,200	45,500
100 A	20 000 13/20 438 13	6.5	28,900	45,500	88,600

<b>Size</b> <b>00</b>	<b>Rated voltage</b> <b>AC 500 V</b>	<b>Operating class</b> <b>gG</b>	<b>Rated breaking capacity</b> <b>120 kA</b>	<b>Standard</b> <b>IEC 60269-2-1</b>
--------------------------	---	-------------------------------------	---	---

Rated current	Part No.	Power loss W	Pre-arcing I <sup>2</sup> t-value A <sup>2</sup> s	Total I <sup>2</sup> t-value @ 254 V A <sup>2</sup> s	Total I <sup>2</sup> t-value @ 440 V A <sup>2</sup> s
125 A	20 001 13/20 439 13	8.2	44,400	78,600	127,500
160 A	20 001 13/20 439 13	11.2	78,500	139,600	226,600

<b>Size</b> <b>0</b>	<b>Rated voltage</b> <b>AC 500 V</b>	<b>Operating class</b> <b>gG</b>	<b>Rated breaking capacity</b> <b>120 kA</b>	<b>Standard</b> <b>IEC 60269-2-1</b>
-------------------------	---	-------------------------------------	---	---

Rated current	Part No.	Power loss W	Pre-arcing I <sup>2</sup> t-value A <sup>2</sup> s	Total I <sup>2</sup> t-value @ 254 V A <sup>2</sup> s	Total I <sup>2</sup> t-value @ 440 V A <sup>2</sup> s
6 A	20 002 13	1.6	36	75	130
10 A	20 002 13	1.3	230	320	560
16 A	20 002 13	2.0	420	490	810
20 A	20 002 13	2.3	760	910	1,480
25 A	20 002 13	2.8	1,440	1,780	2,890
32 A	20 002 13	3.5	2,600	3,360	5,630
35 A	20 002 13	4.1	3,100	4,770	7,610
40 A	20 002 13	4.1	4,700	6,750	11,300
50 A	20 002 13	5.3	5,900	8,340	13,600
63 A	20 002 13	6.0	10,300	16,200	26,400
80 A	20 002 13	6.9	17,300	27,200	45,500
100 A	20 002 13	8.0	28,900	45,500	88,600
125 A	20 002 13	10.3	44,400	78,600	127,500
160 A	20 002 13	13.5	78,500	139,600	226,600

**Size 1**      **Rated voltage AC 500 V**      **Operating class gG**      **Rated breaking capacity 120 kA**      **Standard IEC 60269-2-1**

Rated current	Part No.	Power loss W	Pre-arcing I <sup>2</sup> t-value A <sup>2</sup> s	Total I <sup>2</sup> t-value @ 254 V A <sup>2</sup> s	Total I <sup>2</sup> t-value @ 440 V A <sup>2</sup> s
16 A	20 003 13/20 441 13	1.9	420	490	810
20 A	20 003 13/20 441 13	2.2	760	910	1,480
25 A	20 003 13/20 441 13	2.6	1,440	1,780	2,890
32 A	20 003 13/20 441 13	3.5	2,600	3,360	5,630
35 A	20 003 13/20 441 13	3.9	3,100	4,770	7,610
40 A	20 003 13/20 441 13	4.3	4,700	6,750	11,300
50 A	20 003 13/20 441 13	5.1	5,900	8,340	13,600
63 A	20 003 13/20 441 13	5.8	10,300	16,200	26,400
80 A	20 003 13/20 441 13	6.5	17,300	27,200	45,500
100 A	20 003 13/20 441 13	7.8	28,900	45,500	88,600
125 A	20 003 13/20 441 13	10.0	44,400	78,600	127,500
160 A	20 003 13/20 441 13	12.8	78,500	139,600	226,600
200 A	20 003 13/20 441 13	15.0	157,600	248,200	390,900
224 A	20 003 13/20 441 13	16.2	194,800	297,600	483,400
250 A	20 003 13/20 441 13	17.9	240,800	368,000	616,000

**Size 2**      **Rated voltage AC 500 V**      **Operating class gG**      **Rated breaking capacity 120 kA**      **Standard IEC 60269-2-1**

Rated current	Part No.	Power loss W	Pre-arcing I <sup>2</sup> t-value A <sup>2</sup> s	Total I <sup>2</sup> t-value @ 254 V A <sup>2</sup> s	Total I <sup>2</sup> t-value @ 440 V A <sup>2</sup> s
35 A	20 004 13/20 442 13	3.9	3,100	4,770	7,610
40 A	20 004 13/20 442 13	4.3	4,700	6,750	11,300
50 A	20 004 13/20 442 13	5.1	5,900	8,340	13,600
63 A	20 004 13/20 442 13	5.8	10,300	16,200	26,400
80 A	20 004 13/20 442 13	6.5	17,300	27,200	45,500
100 A	20 004 13/20 442 13	7.8	28,900	45,500	88,600
125 A	20 004 13/20 442 13	10.0	44,400	78,600	127,500
160 A	20 004 13/20 442 13	12.8	78,500	139,600	226,600
200 A	20 004 13/20 442 13	15.5	157,600	248,200	390,900
224 A	20 004 13/20 442 13	16.4	194,800	297,600	483,400
250 A	20 004 13/20 442 13	18.0	240,800	368,000	616,000
315 A	20 004 13/20 442 13	21.5	513,000	716,000	1,164,000
355 A	20 004 13/20 442 13	23.7	616,000	859,000	1,483,000
400 A	20 004 13/20 442 13	29.5	859,000	1,236,000	2,008,000

**Size 3**      **Rated voltage AC 500 V**      **Operating class gG**      **Rated breaking capacity 120 kA**      **Standard IEC 60269-2-1**

Rated current	Part No.	Power loss W	Pre-arcing I <sup>2</sup> t-value A <sup>2</sup> s	Total I <sup>2</sup> t-value @ 254 V A <sup>2</sup> s	Total I <sup>2</sup> t-value @ 440 V A <sup>2</sup> s
315 A	20 005 13/20 443 13	21.5	513,000	716,000	1,164,000
355 A	20 005 13/20 443 13	23.7	616,000	859,000	1,483,000
400 A	20 005 13/20 443 13	29.5	859,000	1,236,000	2,008,000
500 A	20 005 13/20 443 13	38.0	1,130,000	1,670,000	2,800,000
630 A	20 005 13/20 443 13	46.0	1,950,000	2,980,000	4,840,000

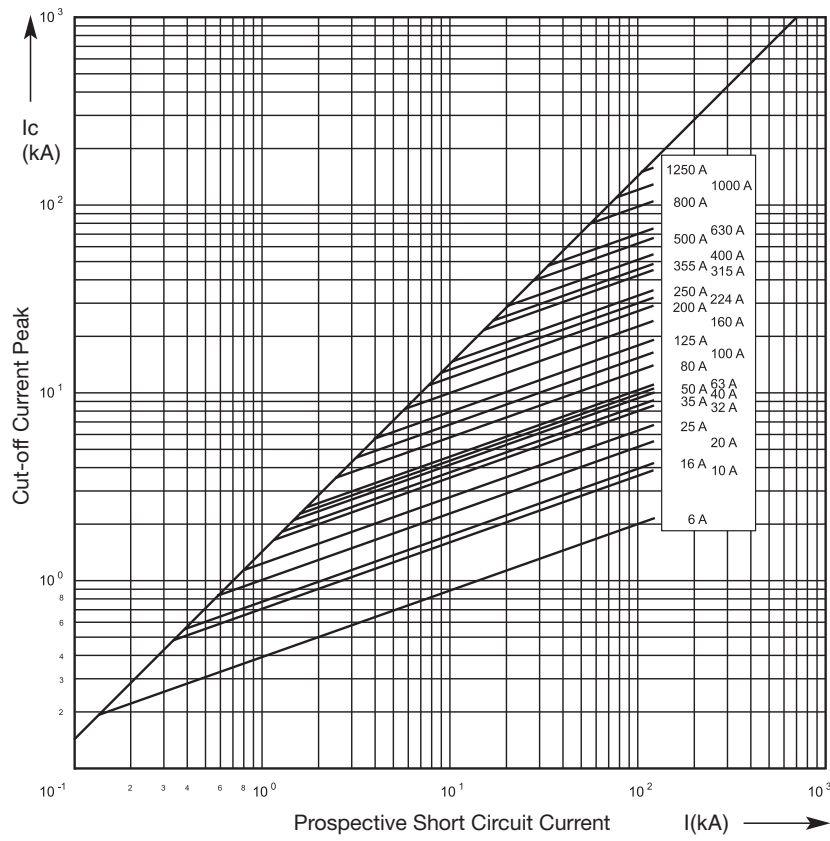
<b>Size</b> <b>4</b>	<b>Rated voltage</b> <b>AC 500 V</b>	<b>Operating class</b> <b>gG</b>	<b>Rated breaking capacity</b> <b>120 kA</b>	<b>Standard</b> <b>IEC 60269-2-1</b>
-------------------------	---	-------------------------------------	---	---

Rated current	Part No.	Power loss W	Pre-arcing I <sup>2</sup> t-value A <sup>2</sup> s	Total I <sup>2</sup> t-value @ 254 V A <sup>2</sup> s	Total I <sup>2</sup> t-value @ 440 V A <sup>2</sup> s
400 A	20 006 13	26	859,000	1,236,000	2,008,000
500 A	20 006 13	38	1,130,000	1,670,000	2,800,000
630 A	20 006 13	49	1,950,000	2,980,000	4,840,000
800 A	20 006 13	66	3,700,000	5,450,000	8,900,000
1000 A	20 006 13	78	5,800,000	8,900,000	14,400,000
1250 A	20 006 13	95	11,000,000	16,200,000	27,200,000
1600 A	20 228 13	138	14,000,000	20,700,000	33,600,000

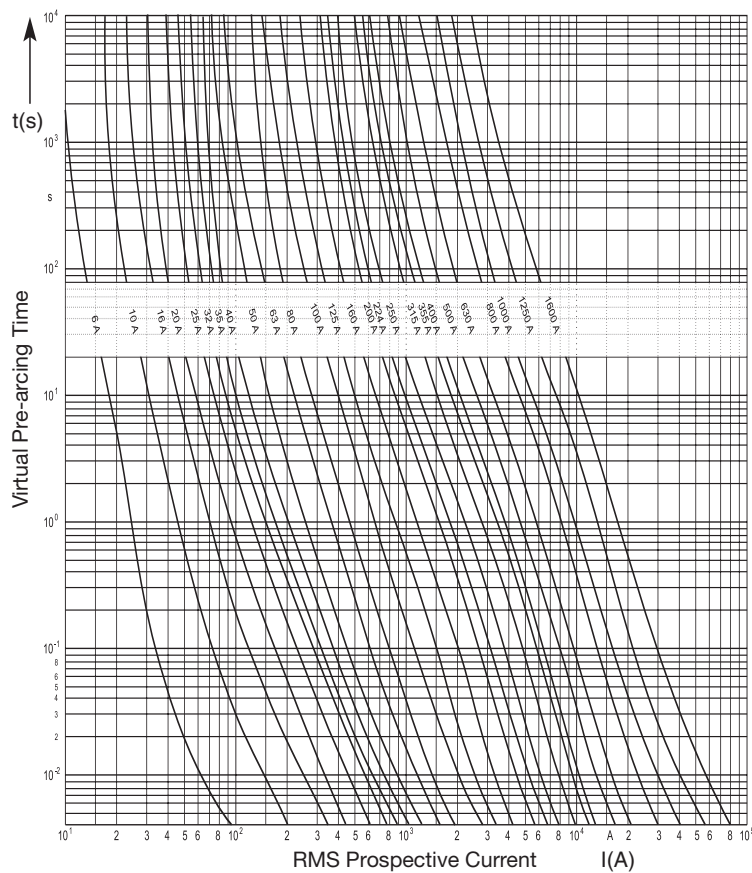
<b>Size</b> <b>4a</b>	<b>Rated voltage</b> <b>AC 500 V</b>	<b>Operating class</b> <b>gG</b>	<b>Rated breaking capacity</b> <b>120 kA</b>	<b>Standard</b> <b>IEC 60269-2-1</b>
--------------------------	---	-------------------------------------	---	---

Rated current	Part No.	Power loss W	Pre-arcing I <sup>2</sup> t-value A <sup>2</sup> s	Total I <sup>2</sup> t-value @ 254 V A <sup>2</sup> s	Total I <sup>2</sup> t-value @ 440 V A <sup>2</sup> s
400 A	20 120 13	34	859,000	1,236,000	2,008,000
500 A	20 120 13	41	1,130,000	1,670,000	2,800,000
630 A	20 120 13	49	1,950,000	2,980,000	4,840,000
800 A	20 120 13	70	3,700,000	5,450,000	8,900,000
1000 A	20 120 13	83	5,800,000	8,900,000	14,400,000
1250 A	20 120 13	104	11,000,000	16,200,000	27,200,000
1600 A	20 120 13	138	14,000,000	20,700,000	33,600,000

Cut-off-characteristics



Time / Current Characteristics



<b>Size 000</b>	<b>Rated voltage AC 690 V</b>	<b>Operating class gG</b>	<b>Rated breaking capacity 120 kA</b>	<b>Standard IEC 60269-2-1</b>
---------------------	-----------------------------------	-------------------------------	---	-----------------------------------

Rated current	Part No.	Power loss W	Pre-arcing I <sup>2</sup> t-value A <sup>2</sup> s	Total I <sup>2</sup> t-value @ 254 V A <sup>2</sup> s	Total I <sup>2</sup> t-value @ 440 V A <sup>2</sup> s	Total I <sup>2</sup> t-value @ 500 V A <sup>2</sup> s
16 A	20 477 13/20 452 13	1.9	420	490	810	920
20 A	20 477 13/20 452 13	2.35	760	910	1,480	1,670
25 A	20 477 13/20 452 13	2.75	1,440	1,780	2,890	2,890
32 A	20 477 13/20 452 13	3.6	2,600	3,360	5,630	5,630
35 A	20 477 13/20 452 13	4	3,100	4,770	7,610	7,610
40 A	20 477 13/20 452 13	4.4	4,700	6,750	11,300	12,800
50 A	20 477 13/20 452 13	5	5,900	8,340	13,600	15,300

<b>Size 00</b>	<b>Rated voltage AC 690 V</b>	<b>Operating class gG</b>	<b>Rated breaking capacity 120 kA</b>	<b>Standard IEC 60269-2-1</b>
--------------------	-----------------------------------	-------------------------------	---	-----------------------------------

Rated current	Part No.	Power loss W	Pre-arcing I <sup>2</sup> t-value A <sup>2</sup> s	Total I <sup>2</sup> t-value @ 254 V A <sup>2</sup> s	Total I <sup>2</sup> t-value @ 440 V A <sup>2</sup> s	Total I <sup>2</sup> t-value @ 500 V A <sup>2</sup> s
63 A	20 209 13/20 453 13	5.6	10,300	16,200	26,400	30,700
80 A	20 209 13/20 453 13	6.3	17,300	27,200	45,500	51,400
100 A	20 209 13/20 453 13	7.3	28,900	45,500	88,600	97,000
125 A	20 209 13/20 453 13	10.5	44,400	78,600	127,500	157,600

<b>Size 0</b>	<b>Rated voltage AC 690 V</b>	<b>Operating class gG</b>	<b>Rated breaking capacity 120 kA</b>	<b>Standard IEC 60269-2-1</b>
-------------------	-----------------------------------	-------------------------------	---	-----------------------------------

Rated current	Part No.	Power loss W	Pre-arcing I <sup>2</sup> t-value A <sup>2</sup> s	Total I <sup>2</sup> t-value @ 254 V A <sup>2</sup> s	Total I <sup>2</sup> t-value @ 440 V A <sup>2</sup> s	Total I <sup>2</sup> t-value @ 500 V A <sup>2</sup> s
16 A	20 210 13	2.1	420	490	810	920
20 A	20 210 13	2.6	760	910	1,480	1,670
25 A	20 210 13	3.0	1,440	1,780	2,890	2,890
32 A	20 210 13	3.7	2,600	3,360	5,630	5,630
35 A	20 210 13	4.3	3,100	4,770	7,610	7,610
40 A	20 210 13	5.0	4,700	6,750	11,300	12,800
50 A	20 210 13	5.6	5,900	8,340	13,600	15,300
63 A	20 210 13	6.5	10,300	16,200	26,400	30,700
80 A	20 210 13	7.6	17,300	27,200	45,500	51,400
100 A	20 210 13	8.9	28,900	45,500	88,600	97,000
125 A	20 210 13	11.4	44,400	78,600	127,500	157,600

**Size 1**      **Rated voltage AC 690 V**      **Operating class gG**      **Rated breaking capacity 120 kA**      **Standard IEC 60269-2-1**

Rated current	Part No.	Power loss W	Pre-arcing I <sup>2</sup> t-value A <sup>2</sup> s	Total I <sup>2</sup> t-value @ 254 V A <sup>2</sup> s	Total I <sup>2</sup> t-value @ 440 V A <sup>2</sup> s	Total I <sup>2</sup> t-value @ 500 V A <sup>2</sup> s
16 A	20 211 13/20 455 13	2.0	420	490	810	920
20 A	20 211 13/20 455 13	2.4	760	910	1,480	1,670
25 A	20 211 13/20 455 13	2.8	1,440	1,780	2,890	2,890
32 A	20 211 13/20 455 13	3.8	2,600	3,360	5,630	5,630
35 A	20 211 13/20 455 13	4.2	3,100	4,770	7,610	7,610
40 A	20 211 13/20 455 13	4.7	4,700	6,750	11,300	12,800
50 A	20 211 13/20 455 13	5.5	5,900	8,340	13,600	15,300
63 A	20 211 13/20 455 13	6.3	10,300	16,200	26,400	30,700
80 A	20 211 13/20 455 13	7.3	17,300	27,200	45,500	51,400
100 A	20 211 13/20 455 13	8.6	28,900	45,500	88,600	97,000
125 A	20 211 13/20 455 13	11.0	44,400	78,600	127,500	157,600
160 A	20 211 13/20 455 13	14.0	78,500	139,600	226,600	280,200
200 A	20 211 13/20 455 13	16.5	157,600	248,200	390,900	483,400
250 A	20 211 13/20 455 13	20.1	240,800	368,000	616,000	761,000

**Size 2**      **Rated voltage AC 690 V**      **Operating class gG**      **Rated breaking capacity 120 kA**      **Standard IEC 60269-2-1**

Rated current	Part No.	Power loss W	Pre-arcing I <sup>2</sup> t-value A <sup>2</sup> s	Total I <sup>2</sup> t-value @ 254 V A <sup>2</sup> s	Total I <sup>2</sup> t-value @ 440 V A <sup>2</sup> s	Total I <sup>2</sup> t-value @ 500 V A <sup>2</sup> s
35 A	20 212 13/20 456 13	4.2	3,100	4,770	7,610	7,610
40 A	20 212 13/20 456 13	4.7	4,700	6,750	11,300	12,800
50 A	20 212 13/20 456 13	5.5	5,900	8,340	13,600	15,300
63 A	20 212 13/20 456 13	6.3	10,300	16,200	26,400	30,700
80 A	20 212 13/20 456 13	7.3	17,300	27,200	45,500	51,400
100 A	20 212 13/20 456 13	8.6	28,900	45,500	88,600	97,000
125 A	20 212 13/20 456 13	11.0	44,400	78,600	127,500	157,600
160 A	20 212 13/20 456 13	14.0	78,500	139,600	226,600	280,200
200 A	20 212 13/20 456 13	16.5	157,600	248,200	390,900	483,400
224 A	20 212 13/20 456 13	18.1	194,800	297,600	483,400	615,000
250 A	20 212 13/20 456 13	20.2	240,800	368,000	616,000	761,000
315 A	20 212 13/20 456 13	24.1	513,000	716,000	1,164,000	1,438,000
355 A	20 212 13	28.6	616,000	859,000	1,483,000	1,725,000
400 A	20 212 13	32.0	859,000	1,236,000	2,008,000	2,558,000

**Size 3**      **Rated voltage AC 690 V**      **Operating class gG**      **Rated breaking capacity 120 kA**      **Standard IEC 60269-2-1**

Rated current	Part No.	Power loss W	Pre-arcing I <sup>2</sup> t-value A <sup>2</sup> s	Total I <sup>2</sup> t-value @ 254 V A <sup>2</sup> s	Total I <sup>2</sup> t-value @ 440 V A <sup>2</sup> s	Total I <sup>2</sup> t-value @ 500 V A <sup>2</sup> s
315 A	20 213 13	24.1	513,000	716,000	1,164,000	1,438,000
355 A	20 213 13	28.5	616,000	859,000	1,483,000	1,725,000
400 A	20 213 13	31.8	859,000	1,236,000	2,008,000	2,558,000
500 A	20 213 13	42.0	1,113,000	1,670,000	2,800,000	3,360,000

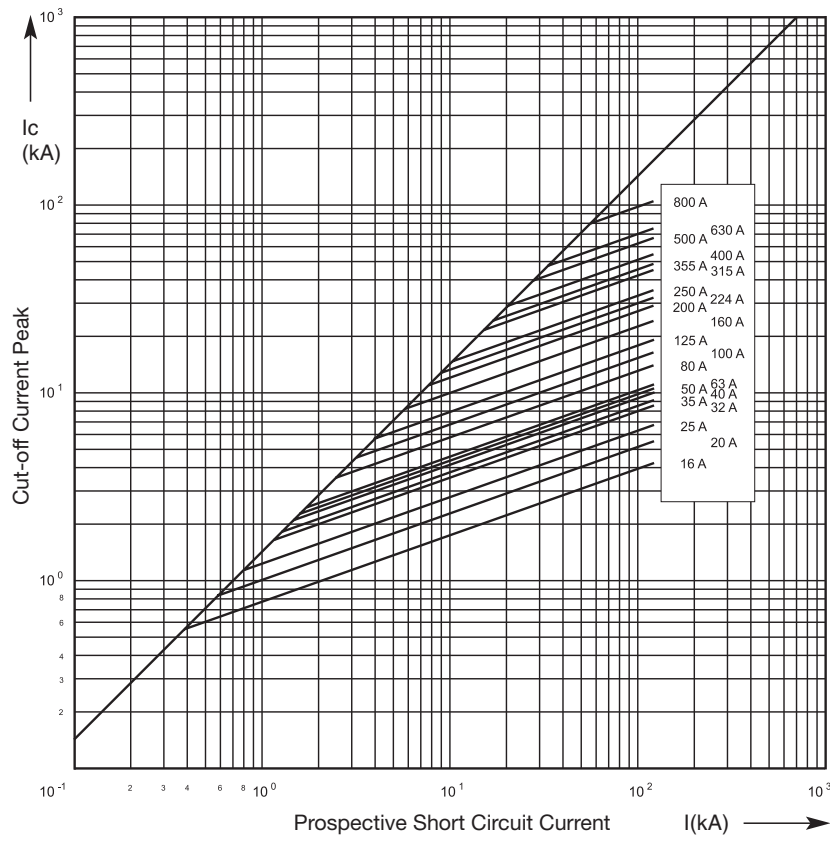
<b>Size</b> <b>4</b>	<b>Rated voltage</b> <b>AC 690 V</b>	<b>Operating class</b> <b>gG</b>	<b>Rated breaking capacity</b> <b>120 kA</b>	<b>Standard</b> <b>IEC 60269-2-1</b>
-------------------------	---	-------------------------------------	---	---

<b>Rated current</b>	<b>Part No.</b>	<b>Power loss</b> <b>W</b>	<b>Pre-arcing I<sup>2</sup>t-value</b> <b>A<sup>2</sup>s</b>	<b>Total I<sup>2</sup>t-value @ 254 V</b> <b>A<sup>2</sup>s</b>	<b>Total I<sup>2</sup>t-value @ 440 V</b> <b>A<sup>2</sup>s</b>	<b>Total I<sup>2</sup>t-value @ 500 V</b> <b>A<sup>2</sup>s</b>
400 A	20 225 13	32	859,000	1,236,000	2,008,000	2,558,000
500 A	20 225 13	42	1,113,000	1,670,000	2,800,000	3,360,000
630 A	20 225 13	51	1,950,000	2,980,000	4,840,000	6,000,000
800 A	20 225 13	65	3,700,000	5,450,000	8,900,000	11,300,000

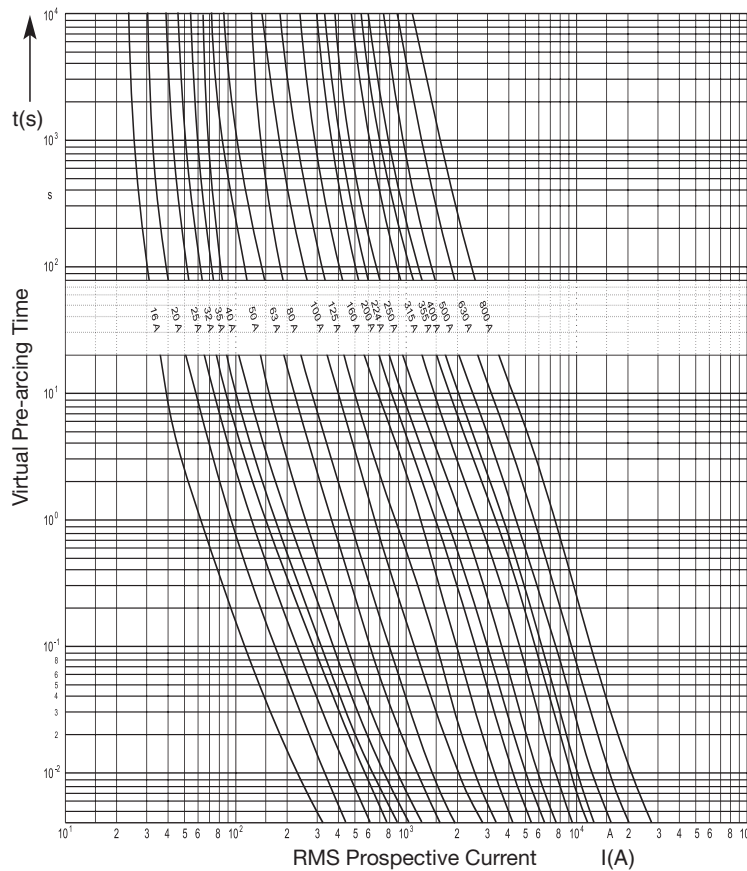
<b>Size</b> <b>4a</b>	<b>Rated voltage</b> <b>AC 690 V</b>	<b>Operating class</b> <b>gG</b>	<b>Rated breaking capacity</b> <b>120 kA</b>	<b>Standard</b> <b>IEC 60269-2-1</b>
--------------------------	---	-------------------------------------	---	---

<b>Rated current</b>	<b>Part No.</b>	<b>Power loss</b> <b>W</b>	<b>Pre-arcing I<sup>2</sup>t-value</b> <b>A<sup>2</sup>s</b>	<b>Total I<sup>2</sup>t-value @ 254 V</b> <b>A<sup>2</sup>s</b>	<b>Total I<sup>2</sup>t-value @ 440 V</b> <b>A<sup>2</sup>s</b>	<b>Total I<sup>2</sup>t-value @ 500 V</b> <b>A<sup>2</sup>s</b>
400 A	20 227 13	36	859,000	1,236,000	2,008,000	2,558,000
500 A	20 227 13	44	1,113,000	1,670,000	2,800,000	3,360,000
630 A	20 227 13	56	1,950,000	2,980,000	4,840,000	6,000,000
800 A	20 227 13	70	3,700,000	5,450,000	8,900,000	11,300,000

Cut-off-characteristics



Time / Current Characteristics





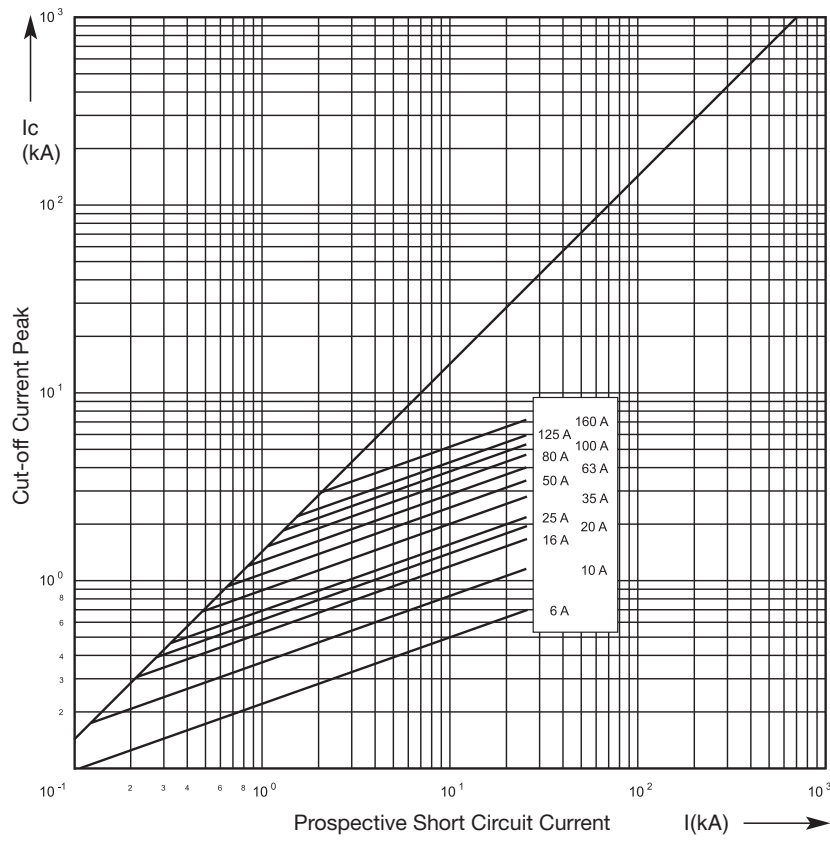
<b>Size</b> <b>000</b>	<b>Rated voltage</b> <b>AC 1000 V</b>	<b>Operating class</b> <b>gB</b>	<b>Rated breaking capacity</b> <b>25 kA</b>
---------------------------	--	-------------------------------------	--

Rated current	Part No.	Pre-arcing I <sup>2</sup> t-value A <sup>2</sup> s	Total I <sup>2</sup> t-value @ 760 V A <sup>2</sup> s
6 A	20 386 03	6	18
10 A	20 386 03	31	93
16 A	20 386 03	83	250
20 A	20 386 03	145	435
25 A	20 386 03	210	630
35 A	20 386 03	440	1,320
50 A	20 386 03	870	2,610
63 A	20 386 03	1,350	4,050
80 A	20 386 03	2,300	6,900
100 A	20 386 03	3,300	9,900

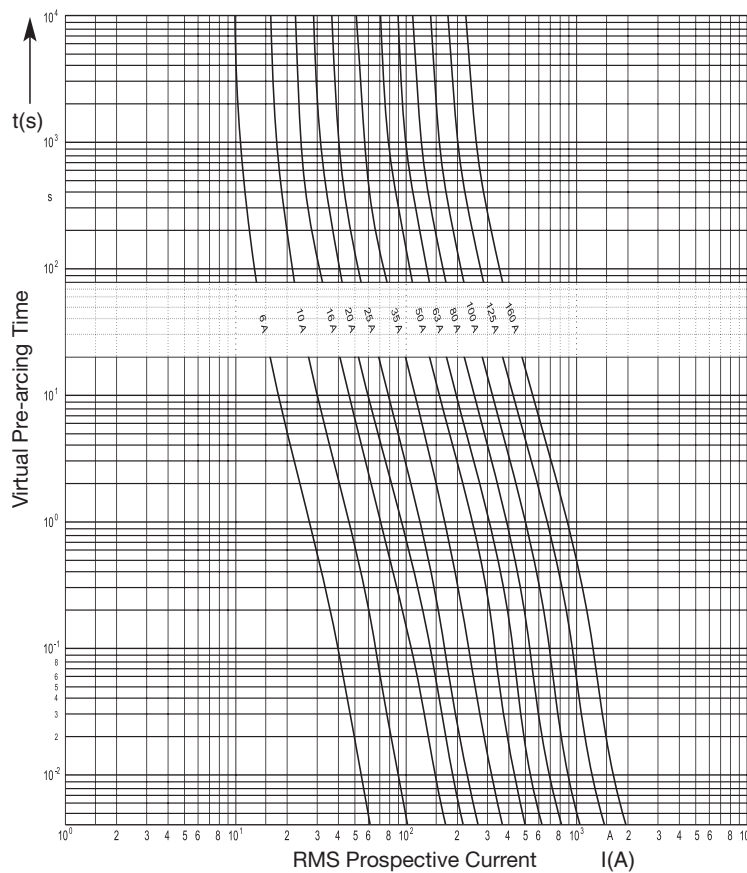
<b>Size</b> <b>00</b>	<b>Rated voltage</b> <b>AC 1000 V</b>	<b>Operating class</b> <b>gB</b>	<b>Rated breaking capacity</b> <b>25 kA</b>
--------------------------	--	-------------------------------------	--

Rated current	Part No.	Pre-arcing I <sup>2</sup> t-value A <sup>2</sup> s	Total I <sup>2</sup> t-value @ 760 V A <sup>2</sup> s
6 A	20 389 03	6	18
10 A	20 389 03	31	93
16 A	20 389 03	83	250
20 A	20 389 03	145	435
25 A	20 389 03	210	630
35 A	20 389 03	440	1,320
50 A	20 389 03	870	2,610
63 A	20 389 03	1,350	4,050
80 A	20 389 03	2,300	6,900
100 A	20 389 03	3,300	9,900
125 A	20 389 03	4,700	14,100
160 A	20 389 03	8,300	24,900

Cut-off-characteristics



Time / Current Characteristics



<b>Size</b> <b>000</b>	<b>Rated voltage</b> <b>AC 690 V</b>	<b>Operating class</b> <b>aM</b>	<b>Rated breaking capacity</b> <b>120 kA</b>	<b>Standard</b> <b>IEC 60269-2</b>
---------------------------	---	-------------------------------------	---	---------------------------------------

Rated current	Part No.	Power loss W	Pre-arcing I <sup>2</sup> t-value A <sup>2</sup> s	Total I <sup>2</sup> t-value @ 254 V A <sup>2</sup> s	Total I <sup>2</sup> t-value @ 440 V A <sup>2</sup> s	Total I <sup>2</sup> t-value @ 500 V A <sup>2</sup> s
16 A	20 477 08	0.8	476	780	950	1,280
20 A	20 477 08	1.0	921	1,500	1,850	2,500
25 A	20 477 08	1.4	1,441	2,400	2,880	3,900
35 A	20 477 08	1.8	2,820	4,700	5,640	7,600
50 A	20 477 08	2.4	7,290	12,000	14,600	19,700

<b>Size</b> <b>00</b>	<b>Rated voltage</b> <b>AC 690 V</b>	<b>Operating class</b> <b>aM</b>	<b>Rated breaking capacity</b> <b>120 kA</b>	<b>Standard</b> <b>IEC 60269-2</b>
--------------------------	---	-------------------------------------	---	---------------------------------------

Rated current	Part No.	Power loss W	Pre-arcing I <sup>2</sup> t-value A <sup>2</sup> s	Total I <sup>2</sup> t-value @ 254 V A <sup>2</sup> s	Total I <sup>2</sup> t-value @ 440 V A <sup>2</sup> s	Total I <sup>2</sup> t-value @ 500 V A <sup>2</sup> s
63 A	20 209 08	3.2	10,400	17,200	20,800	28,100
80 A	20 209 08	4.2	17,800	29,400	35,600	48,100
100 A	20 209 08	5.2	29,100	48,000	58,200	78,600
125 A	20 209 08	6.6	46,700	77,000	93,400	126,000

<b>Size</b> <b>0</b>	<b>Rated voltage</b> <b>AC 690 V</b>	<b>Operating class</b> <b>aM</b>	<b>Rated breaking capacity</b> <b>120 kA</b>	<b>Standard</b> <b>IEC 60269-2</b>
-------------------------	---	-------------------------------------	---	---------------------------------------

Rated current	Part No.	Power loss W	Pre-arcing I <sup>2</sup> t-value A <sup>2</sup> s	Total I <sup>2</sup> t-value @ 254 V A <sup>2</sup> s	Total I <sup>2</sup> t-value @ 440 V A <sup>2</sup> s	Total I <sup>2</sup> t-value @ 500 V A <sup>2</sup> s
16 A	20 210 08	1.1	476	780	950	1,280
20 A	20 210 08	1.2	921	1,500	1,850	2,500
25 A	20 210 08	1.5	1,441	2,400	2,880	3,900
35 A	20 210 08	2.3	2,820	4,700	5,640	7,600
50 A	20 210 08	2.6	7,290	12,000	14,600	19,700
63 A	20 210 08	4.0	10,400	17,200	20,800	28,100
80 A	20 210 08	5.1	17,800	29,400	35,600	48,100
100 A	20 210 08	6.4	29,100	48,000	58,200	78,600
125 A	20 210 08	8.1	46,700	77,000	93,400	126,000
160 A	20 210 08	10.7	74,600	124,000	149,000	202,000

**Size 1**      **Rated voltage AC 690 V**      **Operating class aM**      **Rated breaking capacity 120 kA**      **Standard IEC 60269-2**

Rated current	Part No.	Power loss	Pre-arcing I <sup>2</sup> t-value	Total I <sup>2</sup> t-value @ 254 V	Total I <sup>2</sup> t-value @ 440 V	Total I <sup>2</sup> t-value @ 500 V
		W	A <sup>2</sup> s	A <sup>2</sup> s	A <sup>2</sup> s	A <sup>2</sup> s
16 A	20 211 08	1.0	476	780	950	1,280
20 A	20 211 08	1.1	921	1,500	1,850	2,500
25 A	20 211 08	1.4	1,441	2,400	2,880	3,900
35 A	20 211 08	2.1	2,820	4,700	5,640	7,600
50 A	20 211 08	2.4	7,290	12,000	14,600	19,700
63 A	20 211 08	3.8	10,400	17,200	20,800	28,100
80 A	20 211 08	4.8	17,800	29,400	35,600	48,100
100 A	20 211 08	6.1	29,100	48,000	58,200	78,600
125 A	20 211 08	7.8	46,700	77,000	93,400	126,000
160 A	20 211 08	10.4	74,600	124,000	149,000	202,000
200 A	20 211 08	13.7	111,000	183,000	222,000	300,000
224 A	20 211 08	16.0	132,000	218,000	264,000	357,000
250 A	20 211 08	18.2	167,000	276,000	334,000	451,000

**Size 2**      **Rated voltage AC 690 V**      **Operating class aM**      **Rated breaking capacity 120 kA**      **Standard IEC 60269-2**

Rated current	Part No.	Power loss	Pre-arcing I <sup>2</sup> t-value	Total I <sup>2</sup> t-value @ 254 V	Total I <sup>2</sup> t-value @ 440 V	Total I <sup>2</sup> t-value @ 500 V
		W	A <sup>2</sup> s	A <sup>2</sup> s	A <sup>2</sup> s	A <sup>2</sup> s
35 A	20 212 08	2.3	2,820	4,700	5,640	7,600
50 A	20 212 08	3.1	7,290	12,000	14,600	19,700
63 A	20 212 08	4.2	10,400	17,200	20,800	28,100
80 A	20 212 08	5.3	17,800	29,400	35,600	48,100
100 A	20 212 08	6.7	29,100	48,000	58,200	78,600
125 A	20 212 08	8.5	46,700	77,000	93,400	126,000
160 A	20 212 08	11.4	74,600	124,000	149,000	202,000
200 A	20 212 08	15.1	111,000	183,000	222,000	300,000
224 A	20 212 08	17.6	132,000	218,000	264,000	357,000
250 A	20 212 08	20.0	167,000	276,000	334,000	451,000
315 A	20 212 08	23.9	298,000	492,000	596,000	805,000
355 A	20 212 08	25.0	446,000	740,000	892,000	1,210,000
400 A	20 212 08	27.3	623,000	1,030,000	1,246,000	1,680,000

**Size 3**      **Rated voltage AC 690 V**      **Operating class aM**      **Rated breaking capacity 120 kA**      **Standard IEC 60269-2**

Rated current	Part No.	Power loss	Pre-arcing I <sup>2</sup> t-value	Total I <sup>2</sup> t-value @ 254 V	Total I <sup>2</sup> t-value @ 440 V	Total I <sup>2</sup> t-value @ 500 V
		W	A <sup>2</sup> s	A <sup>2</sup> s	A <sup>2</sup> s	A <sup>2</sup> s
315 A	20 213 08	24.5	298,000	492,000	596,000	805,000
400 A	20 213 08	28.0	623,000	1,030,000	1,246,000	1,680,000
500 A	20 213 08	34.5	829,000	1,370,000	1,658,000	2,240,000
630 A	20 213 08	39.7	1,470,000	2,245,000	2,940,000	3,970,000

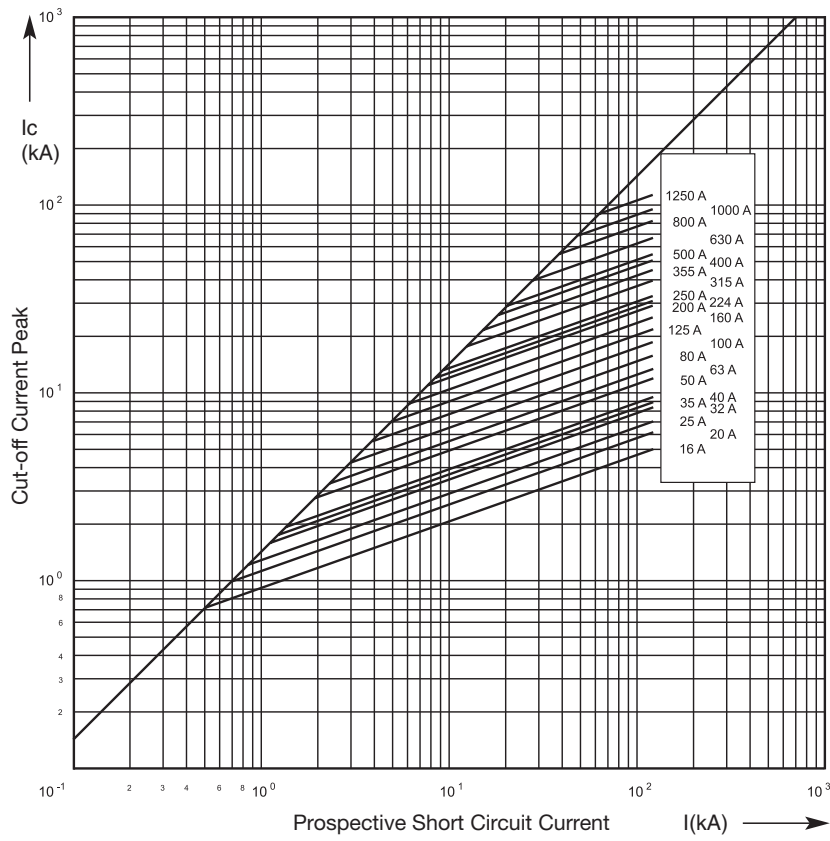
<b>Size</b> <b>4</b>	<b>Rated voltage</b> <b>AC 690 V</b>	<b>Operating class</b> <b>aM</b>	<b>Rated breaking capacity</b> <b>120 kA</b>	<b>Standard</b> <b>IEC 60269-2</b>
-------------------------	---	-------------------------------------	---	---------------------------------------

Rated current	Part No.	Power loss W	Pre-arcing I <sup>2</sup> t-value A <sup>2</sup> s	Total I <sup>2</sup> t-value @ 254 V A <sup>2</sup> s	Total I <sup>2</sup> t-value @ 440 V A <sup>2</sup> s	Total I <sup>2</sup> t-value @ 500 V A <sup>2</sup> s
400 A	20 225 08	31	623,000	1,030,000	1,246,000	1,680,000
500 A	20 225 08	40	829,000	1,370,000	1,658,000	2,240,000
630 A	20 225 08	48	1,470,000	2,245,000	2,940,000	3,970,000
800 A	20 225 08	58	2,780,000	4,590,000	5,560,000	7,510,000
1000 A	20 225 08	71	4,510,000	7,460,000	9,020,000	12,200,000

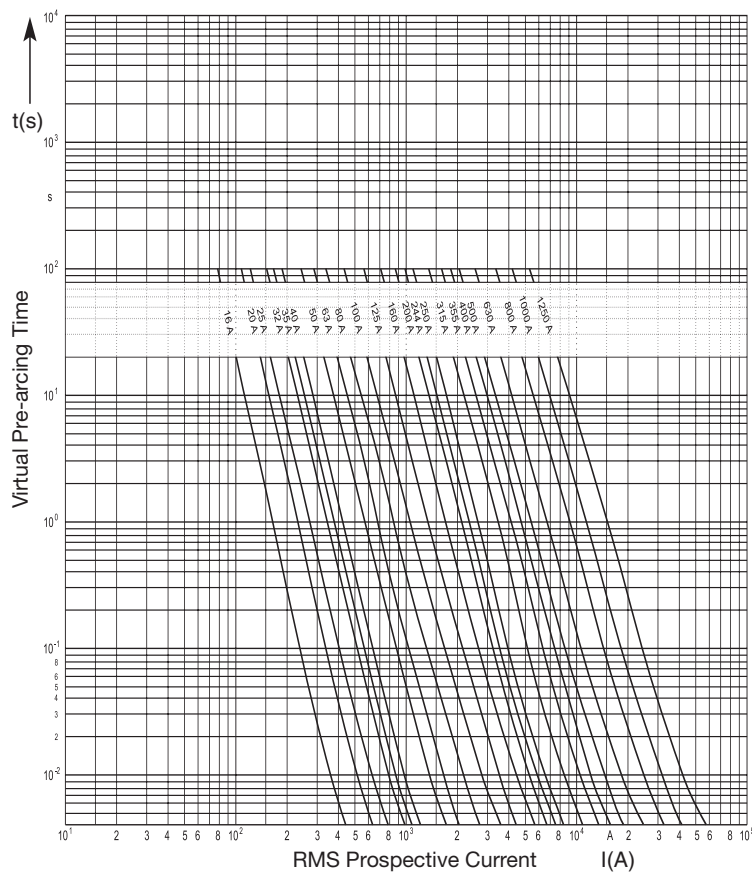
<b>Size</b> <b>4a</b>	<b>Rated voltage</b> <b>AC 690 V</b>	<b>Operating class</b> <b>aM</b>	<b>Rated breaking capacity</b> <b>120 kA</b>	<b>Standard</b> <b>IEC 60269-2</b>
--------------------------	---	-------------------------------------	---	---------------------------------------

Rated current	Part No.	Power loss W	Pre-arcing I <sup>2</sup> t-value A <sup>2</sup> s	Total I <sup>2</sup> t-value @ 254 V A <sup>2</sup> s	Total I <sup>2</sup> t-value @ 440 V A <sup>2</sup> s	Total I <sup>2</sup> t-value @ 500 V A <sup>2</sup> s
400 A	20 227 08	34	623,000	1,030,000	1,246,000	1,680,000
500 A	20 227 08	44	829,000	1,370,000	1,658,000	2,240,000
630 A	20 227 08	53	1,470,000	2,245,000	2,940,000	3,970,000
800 A	20 227 08	64	2,780,000	4,590,000	5,560,000	7,510,000
1000 A	20 227 08	78	4,510,000	7,460,000	9,020,000	12,200,000

Cut-off-characteristics



Time / Current Characteristics

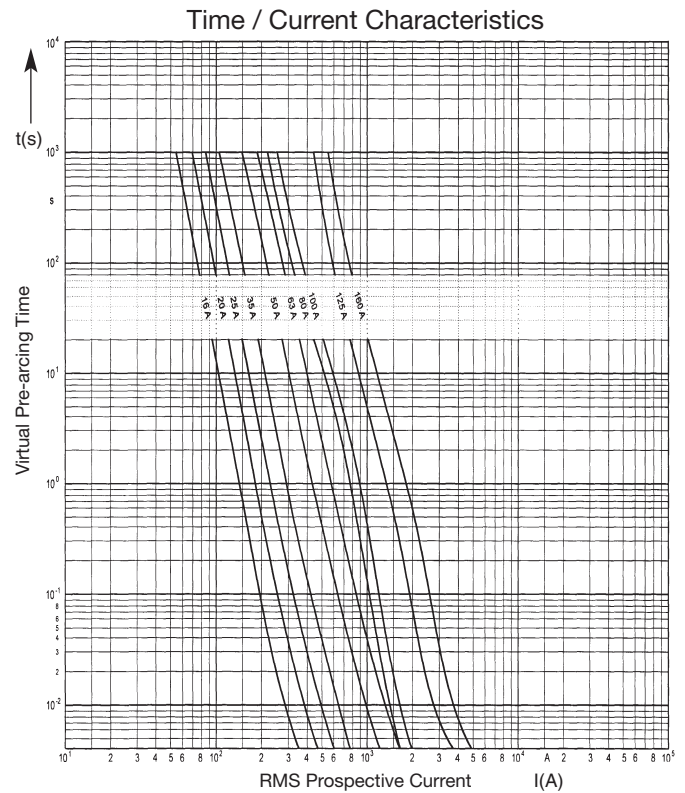
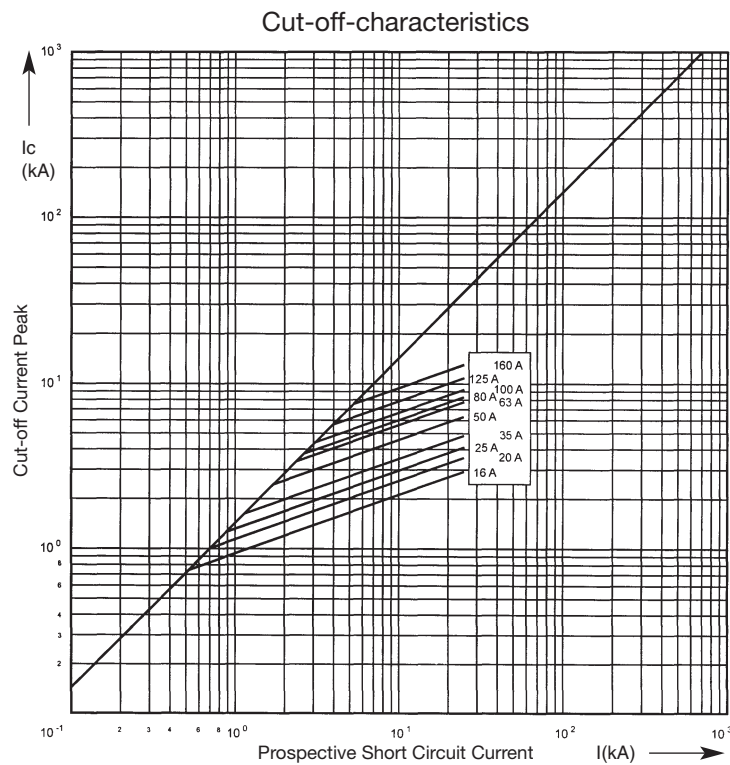


<b>Size</b> <b>000</b>	<b>Rated voltage</b> <b>AC 1000 V</b>	<b>Operating class</b> <b>aM</b>	<b>Rated breaking capacity</b>	<b>Standard</b> <b>IEC 60269-2</b>
---------------------------	--	-------------------------------------	--------------------------------	---------------------------------------

Rated current	Part No.	Pre-arcing I <sup>2</sup> t-value A <sup>2</sup> s	Total I <sup>2</sup> t-value @ 760 V A <sup>2</sup> s
16 A	20 386 08	520	2,100
20 A	20 386 08	930	3,700
25 A	20 386 08	1,450	5,800
35 A	20 386 08	2,450	9,800
50 A	20 386 08	5,500	22,000
63 A	20 386 08	10,500	42,000
80 A	20 386 08	13,000	52,000
100 A	20 386 08	19,000	76,000

<b>Size</b> <b>00</b>	<b>Rated voltage</b> <b>AC 1000 V</b>	<b>Operating class</b> <b>aM</b>	<b>Rated breaking capacity</b>	<b>Standard</b> <b>IEC 60269-2</b>
--------------------------	--	-------------------------------------	--------------------------------	---------------------------------------

Rated current	Part No.	Pre-arcing I <sup>2</sup> t-value A <sup>2</sup> s	Total I <sup>2</sup> t-value @ 760 V A <sup>2</sup> s
125 A	20 389 08	30,000	120,000
160 A	20 389 08	53,000	212,000



Size <b>2</b>	Rated voltage <b>AC 400 V</b>	Operating class <b>gTr</b>	Rated breaking capacity <b>100 kA</b>	Standard <b>VDE 0636/2011</b>
------------------	----------------------------------	-------------------------------	--	----------------------------------

Rated current	Rated transformer capacity kVA	Part No.	Power loss W	Pre-arcing I <sup>2</sup> t-value A <sup>2</sup> s	Total I <sup>2</sup> t-value @ 254 V A <sup>2</sup> s	Total I <sup>2</sup> t-value @ 400 V A <sup>2</sup> s
72 A	50	20 004 15	8.5	6,950	10,950	15,800
108 A	75	20 004 15	11.0	18,900	30,700	44,000
144 A	100	20 004 15	13.0	35,700	58,000	84,000
180 A	125	20 004 15	15.0	76,000	124,000	173,000
231 A	160	20 004 15	17.5	139,600	227,000	326,000
289 A	200	20 004 15	21.5	226,600	368,000	514,000
361 A	250	20 004 15	26.5	415,400	695,000	970,000

Size <b>3</b>	Rated voltage <b>AC 400 V</b>	Operating class <b>gTr</b>	Rated breaking capacity <b>100 kA</b>	Standard <b>VDE 0636/2011</b>
------------------	----------------------------------	-------------------------------	--	----------------------------------

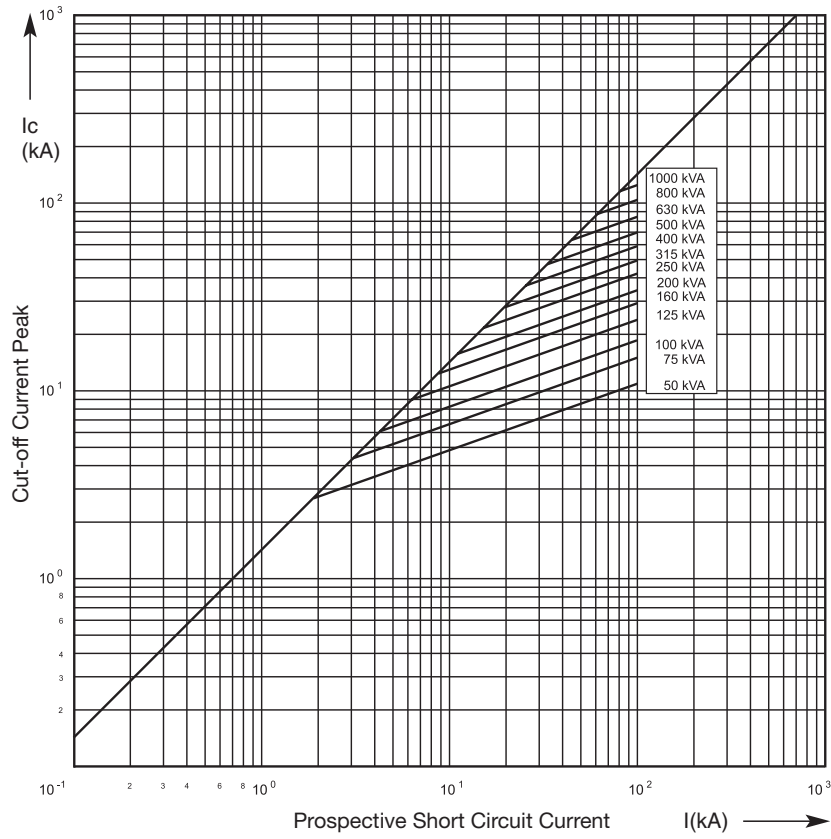
Rated current	Rated transformer capacity kVA	Part No.	Power loss W	Pre-arcing I <sup>2</sup> t-value A <sup>2</sup> s	Total I <sup>2</sup> t-value @ 254 V A <sup>2</sup> s	Total I <sup>2</sup> t-value @ 400 V A <sup>2</sup> s
72 A	50	20 005 15	8.5	6,950	10,950	15,800
108 A	75	20 005 15	11.0	18,900	30,700	44,000
144 A	100	20 005 15	13.0	35,700	58,000	84,000
180 A	125	20 005 15	15.0	76,000	124,000	173,000
231 A	160	20 005 15	16.8	139,600	227,000	326,000
289 A	200	20 005 15	20.7	226,600	368,000	514,000
361 A	250	20 005 15	25.5	415,400	695,000	970,000
455 A	315	20 005 15	31.0	738,600	1,200,000	1,674,000
577 A	400	20 005 15	36.0	1,247,000	2,133,000	2,976,000
722 A	500	20 005 15	49.0	2,199,000	3,570,000	4,982,000
909 A	630	20 005 15	69.0	3,910,000	6,348,000	9,000,000

Size <b>4a</b>	Rated voltage <b>AC 400 V</b>	Operating class <b>gTr</b>	Rated breaking capacity <b>100 kA</b>	Standard <b>VDE 0636/2011</b>
-------------------	----------------------------------	-------------------------------	--	----------------------------------

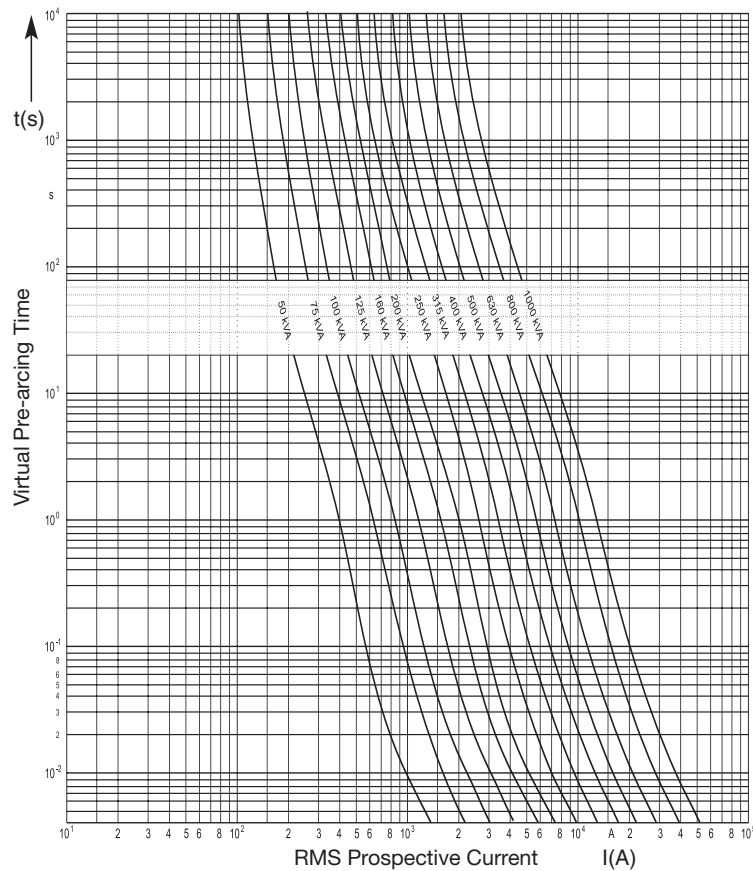
Rated current	Rated transformer capacity kVA	Part No.	Power loss W	Pre-arcing I <sup>2</sup> t-value A <sup>2</sup> s	Total I <sup>2</sup> t-value @ 254 V A <sup>2</sup> s	Total I <sup>2</sup> t-value @ 400 V A <sup>2</sup> s
72 A	50	20 120 15	8.5	6,950	10,950	15,800
108 A	75	20 120 15	11.0	18,900	30,700	44,000
144 A	100	20 120 15	13.0	35,700	58,000	84,000
180 A	125	20 120 15	15.0	76,000	124,000	173,000
231 A	160	20 120 15	17.5	139,600	227,000	326,000
289 A	200	20 120 15	21.5	226,600	368,000	514,000
361 A	250	20 120 15	27.0	415,400	695,000	970,000
455 A	315	20 120 15	33.0	738,600	1,200,000	1,674,000
577 A	400	20 120 15	38.0	1,247,000	2,133,000	2,976,000
722 A	500	20 120 15	51.0	2,199,000	3,570,000	4,982,000
909 A	630	20 120 15	72.0	3,910,000	6,348,000	9,000,000
1155 A	800	20 120 15	86.0	7,613,000	12,362,000	16,737,000
1443 A	1000	20 120 15	110.0	13,135,000	21,330,000	29,770,000



Cut-off-characteristics



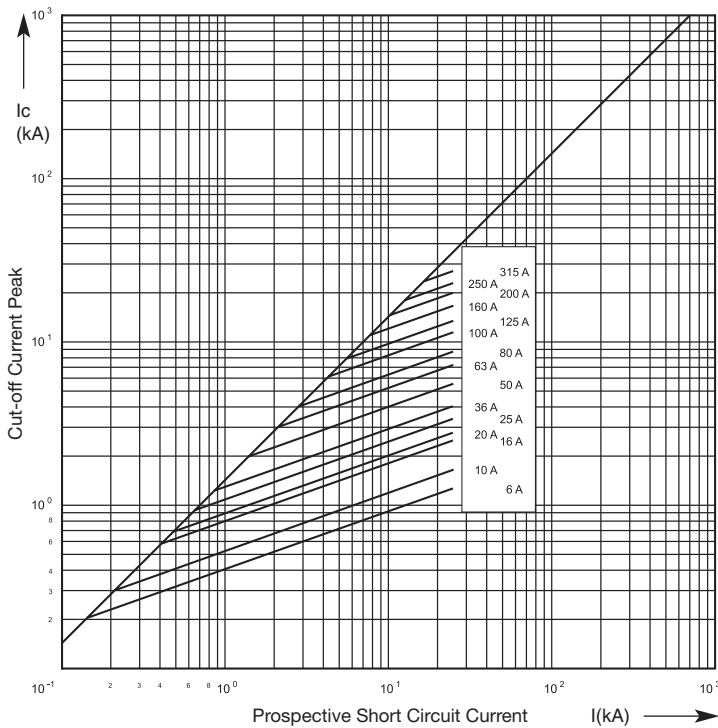
Time / Current Characteristics



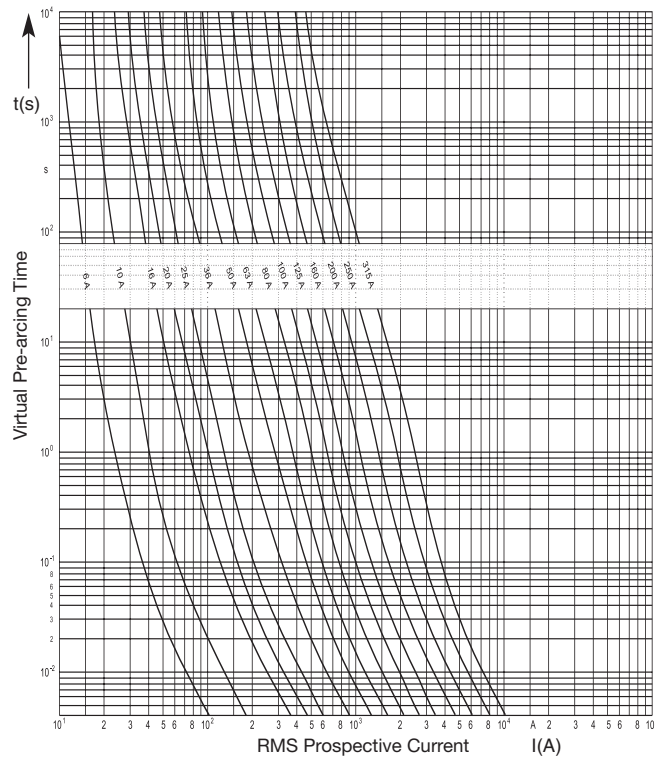
**Size 3**      **Rated voltage AC 1500 V**      **Operating class gTF**      **Rated breaking capacity 25 kA**

Rated current	Part No.	Pre-arcing I <sup>2</sup> t-value A <sup>2</sup> s	Total I <sup>2</sup> t-value @ 760 V A <sup>2</sup> s	Total I <sup>2</sup> t-value @ 1200 V A <sup>2</sup> s
6 A	20 246 02	40	160	240
10 A	20 246 02	90	360	540
16 A	20 246 02	320	1,300	1,900
20 A	20 246 02	460	1,900	2,800
25 A	20 246 02	850	3,400	5,100
36 A	20 246 02	1,440	5,760	8,600
50 A	20 246 02	3,800	15,200	22,700
63 A	20 246 02	9,000	36,000	53,600
80 A	20 246 02	15,200	60,800	90,500
100 A	20 246 02	36,000	144,000	215,000
125 A	20 246 02	61,000	244,000	362,000
160 A	20 246 02	117,000	468,000	695,000
200 A	20 246 02	208,000	832,000	1,234,000
250 A	20 246 02	324,000	1,296,000	1,928,000
315 A	20 246 02	548,000	2,192,000	3,258,000

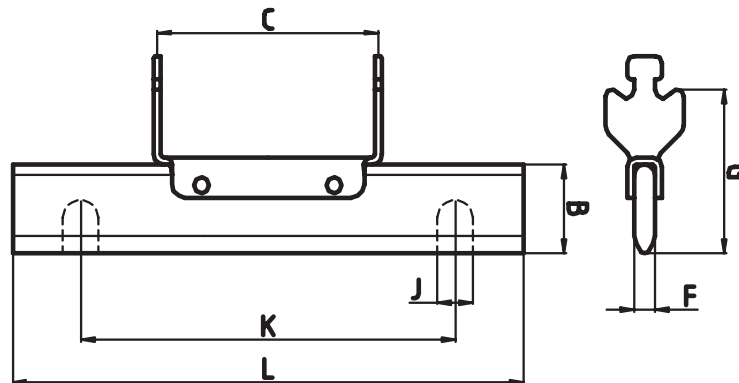
Cut-off-characteristics



Time / Current Characteristics



**Knife Links**      **Sizes**      **Rated voltage**      **Standard**  
**00 - 4a**      **AC 500/660/690 V**      **DIN 43620**



**Size 00**  
Part No.  
24 001 02  
24 080 02<sup>1</sup>

<b>B</b>	<b>0.60"</b> (15 mm)
<b>C</b>	<b>1.90"</b> (48 mm)
<b>F</b>	<b>0.24"</b> (6 mm)
<b>G</b>	<b>1.38"</b> (35 mm)
<b>J</b>	-
<b>K</b>	-
<b>L</b>	<b>3.07"</b> (78 mm)

**Size 0**  
Part No.  
24 002 02  
24 176 02<sup>1</sup>

<b>B</b>	<b>0.60"</b> (15 mm)
<b>C</b>	<b>2.56"</b> (65 mm)
<b>F</b>	<b>0.24"</b> (6 mm)
<b>G</b>	<b>1.46"</b> (37 mm)
<b>J</b>	-
<b>K</b>	-
<b>L</b>	<b>4.92"</b> (125 mm)

**Size 1**  
Part No.  
24 003 02  
24 158 02<sup>1</sup>

<b>B</b>	<b>0.80"</b> (20 mm)
<b>C</b>	<b>2.56"</b> (65 mm)
<b>F</b>	<b>0.24"</b> (6 mm)
<b>G</b>	<b>1.65"</b> (42 mm)
<b>J</b>	-
<b>K</b>	-
<b>L</b>	<b>5.30"</b> (135 mm)

**Size 2**  
Part No.  
24 004 02  
24 159 02<sup>1</sup>

<b>B</b>	<b>0.60"</b> (15 mm)
<b>C</b>	<b>1.90"</b> (48 mm)
<b>F</b>	<b>0.24"</b> (6 mm)
<b>G</b>	<b>1.38"</b> (35 mm)
<b>J</b>	-
<b>K</b>	-
<b>L</b>	<b>3.07"</b> (78 mm)

**Size 3**  
Part No.  
24 005 02  
24 160 02<sup>1</sup>

<b>A</b>	<b>1.02"</b> (26 mm)
<b>B</b>	<b>2.56"</b> (65 mm)
<b>C</b>	<b>0.24"</b> (6 mm)
<b>D</b>	<b>2.13"</b> (54 mm)
<b>G</b>	-
<b>I</b>	-
<b>K</b>	<b>5.90"</b> (150 mm)

**Size 4**  
Part No.  
24 006 02

<b>B</b>	<b>1.97"</b> (50 mm)
<b>C</b>	<b>2.56"</b> (65 mm)
<b>F</b>	<b>0.30"</b> (8 mm)
<b>G</b>	<b>3.35"</b> (85 mm)
<b>J</b>	<b>0.63"</b> (16 mm)
<b>K</b>	<b>5.90"</b> (150 mm)
<b>L</b>	<b>7.87"</b> (200 mm)

**Size 4a**  
Part No.  
24 006 07

<b>B</b>	<b>1.97"</b> (50 mm)
<b>C</b>	<b>3.43"</b> (87 mm)
<b>F</b>	<b>0.24"</b> (6 mm)
<b>G</b>	<b>3.35"</b> (85 mm)
<b>J</b>	-
<b>K</b>	-
<b>L</b>	<b>7.87"</b> (200 mm)

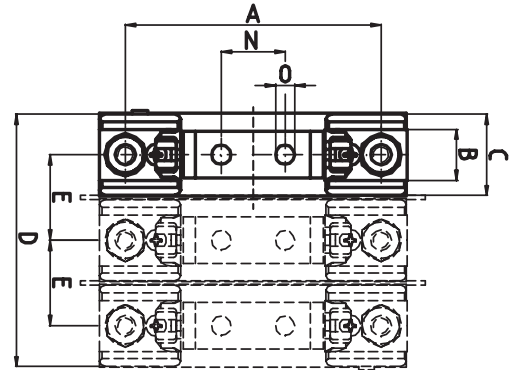
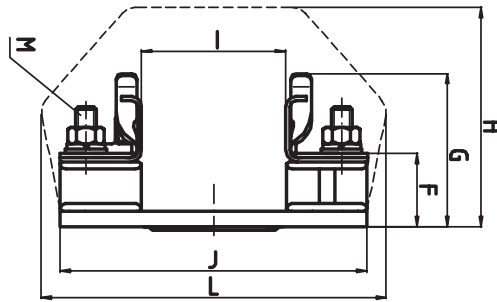
<sup>1</sup> Insulated removal tags

<b>Fuse Bases</b> <b>1 pole</b>	<b>Size</b> <b>000 + 00</b>	<b>Rated voltage</b> <b>AC 500/660/690 V</b>	<b>Standard</b> <b>DIN 43620</b>
------------------------------------	--------------------------------	---	-------------------------------------

Rated current	Part No.	Weight (kg/1)	Pack
160 A	21 001 01	0.26	3

**Part No.**  
**21 001 01**

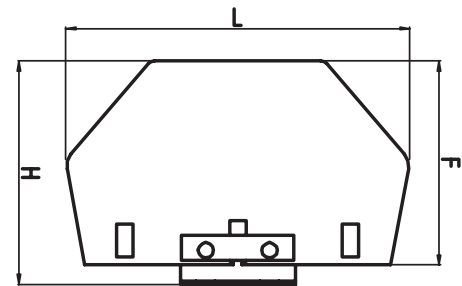
- A** 3.94" (100 mm)
- B** 0.80" (20 mm)
- C** 1.26" (32 mm)
- D** 3.90" (99 mm)
- E** 1.32" (33.5 mm)
- F** 1.14" (29 mm)
- G** 2.32" (59 mm)
- H** 3.40" (86 mm)
- I** 2.24" (57 mm)
- J** 4.72" (120 mm)
- L** 5.30" (135 mm)
- M** M 8
- N** 0.98" (25 mm)
- O** 0.30" (7.5 mm)



<b>External Wall</b>	<b>Size</b> <b>000 + 00</b>	<b>Standard</b> <b>DIN 43620</b>
----------------------	--------------------------------	-------------------------------------

**Part No.**  
**25 001 01**

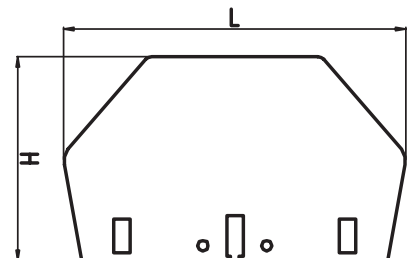
- F** 3.15" (80 mm)
- H** 3.40" (86 mm)
- L** 5.30" (135 mm)



<b>Partition Wall</b>	<b>Size</b> <b>000 + 00</b>	<b>Standard</b> <b>DIN 43620</b>
-----------------------	--------------------------------	-------------------------------------

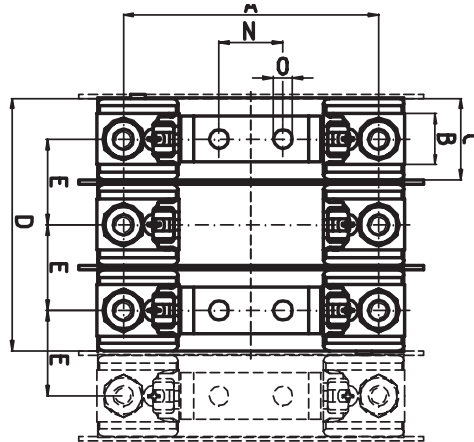
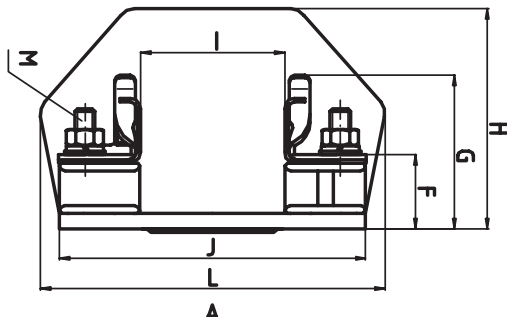
**Part No.**  
**25 001 03-2**

- H** 3.15" (80 mm)
- L** 5.30" (135 mm)



<b>Fuse Bases</b> <b>3 pole</b>	<b>Size</b> <b>000 + 00</b>	<b>Rated voltage</b> <b>AC 500/660/690 V</b>	<b>Standard</b> <b>DIN 43620</b>
------------------------------------	--------------------------------	---	-------------------------------------

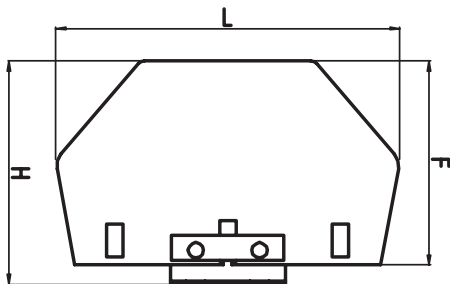
Rated current	Part No.	Weight (kg/1)	Pack
160 A	21 001 03	0.81	1



**Part No.**  
**21 001 03**

<b>A</b>	<b>3.94" (100 mm)</b>
<b>B</b>	<b>0.80" (20 mm)</b>
<b>C</b>	<b>1.26" (32 mm)</b>
<b>D</b>	<b>3.90" (99 mm)</b>
<b>E</b>	<b>1.32" (33.5 mm)</b>
<b>F</b>	<b>1.14" (29 mm)</b>
<b>G</b>	<b>2.32" (59 mm)</b>
<b>H</b>	<b>3.40" (86 mm)</b>
<b>I</b>	<b>2.24" (57 mm)</b>
<b>J</b>	<b>4.72" (120 mm)</b>
<b>L</b>	<b>5.30" (135 mm)</b>
<b>M</b>	<b>M 8</b>
<b>N</b>	<b>0.98" (25 mm)</b>
<b>O</b>	<b>0.30" (7.5 mm)</b>

<b>External Wall</b>	<b>Size</b> <b>000 + 00</b>	<b>Standard</b> <b>DIN 43620</b>
----------------------	--------------------------------	-------------------------------------



**Part No.**  
**25 001 01**

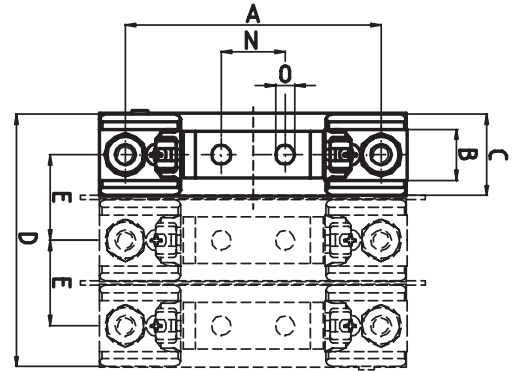
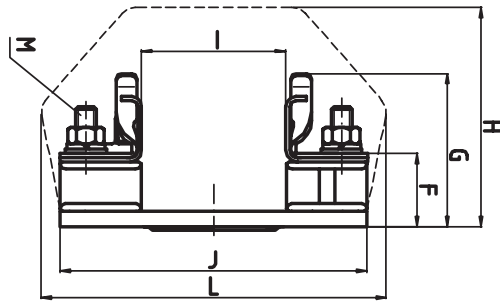
<b>F</b>	<b>3.15" (80 mm)</b>
<b>H</b>	<b>3.40" (86 mm)</b>
<b>L</b>	<b>5.30" (135 mm)</b>

<b>Fuse Bases</b> <b>1 pole</b>	<b>Size</b> <b>0</b>	<b>Rated voltage</b> <b>AC 500/660/690 V</b>	<b>Standard</b> <b>DIN 43620</b>
------------------------------------	-------------------------	---	-------------------------------------

Rated current	Part No.	Weight (kg/1)	Pack
160 A	21 002 04	0.44	1

**Part No.**  
**21 002 04**

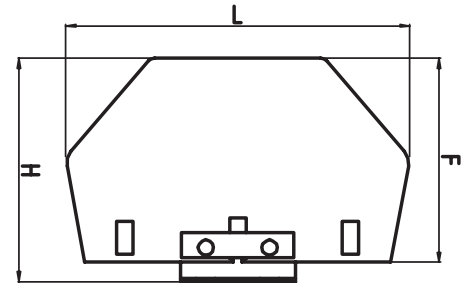
<b>A</b>	5.98" (152 mm)
<b>B</b>	0.79" (20 mm)
<b>C</b>	1.26" (32 mm)
<b>D</b>	1.14" (29 mm)
<b>G</b>	2.32" (59 mm)
<b>I</b>	2.87" (73 mm)
<b>J</b>	5.35" (136 mm)
<b>L</b>	6.81" (173 mm)
<b>M</b>	M 8
<b>N</b>	0.98" (25 mm)
<b>O</b>	0.30" (7.5 mm)



<b>External Wall</b>	<b>Size</b> <b>0</b>	<b>Standard</b> <b>DIN 43620</b>
----------------------	-------------------------	-------------------------------------

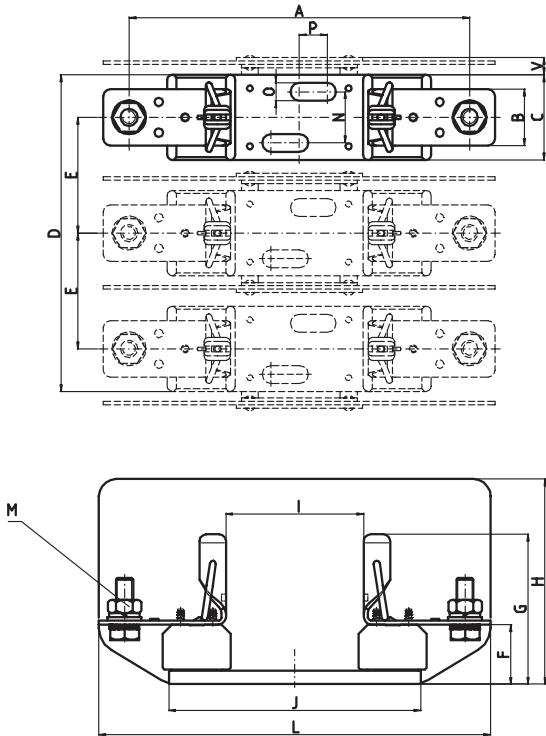
**Part No.**  
**25 006 01**

<b>F</b>	4.16" (106 mm)
<b>H</b>	4.52" (115 mm)
<b>L</b>	7.85" (200 mm)



**Fuse Bases**      **Size**      **Rated voltage**      **Standard**  
**1 pole**      **1 - 3**      **AC 500/660/690 V**      **DIN 43620**

Rated current	Part No.	Weight (kg/1)	Pack
250 A	21 003 01	0.72	1
400 A	21 004 01	0.88	1
630 A	21 005 01	1.16	1



**Size 1**  
**Part No.**  
**21 003 01**

A	6.90" (175 mm)
B	1.30" (33 mm)
C	1.97" (50 mm)
D	7.00" (178 mm)
E	2.52" (64 mm)
F	1.38" (35 mm)
G	3.30" (84 mm)
H	4.20" (107 mm)
I	3.15" (80 mm)
J	5.83" (148 mm)
L	7.87" (200 mm)
M	M 10
N	1.18" (30 mm)
O	0.40" (10 mm)
P	0.65" (16.5 mm)
V	0.40" (10 mm)

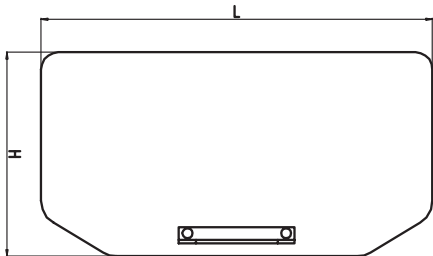
**Size 2**  
**Part No.**  
**21 004 01**

A	7.87" (200 mm)
B	1.30" (33 mm)
C	1.97" (50 mm)
D	7.32" (186 mm)
E	2.68" (68 mm)
F	1.38" (35 mm)
G	3.58" (91 mm)
H	4.72" (120 mm)
I	3.15" (80 mm)
J	5.83" (148 mm)
L	9.06" (230 mm)
M	M 10
N	1.18" (30 mm)
O	0.40" (10 mm)
P	0.65" (16.5 mm)
V	0.40" (10 mm)

**Size 1**  
**Part No.**  
**21 005 01**

A	8.27" (210 mm)
B	1.30" (33 mm)
C	2.17" (55 mm)
D	8.86" (225 mm)
E	3.35" (85 mm)
F	1.38" (35 mm)
G	3.78" (96 mm)
H	5.00" (127 mm)
I	3.15" (80 mm)
J	5.83" (148 mm)
L	9.84" (250 mm)
M	M 10
N	1.18" (30 mm)
O	0.40" (10 mm)
P	0.65" (16.5 mm)
V	0.40" (10 mm)

**External Wall**      **Size**      **Standard**  
**1 - 3**      **DIN 43620**



**Size 1**  
**Part No.**  
**25 003 01**

H	4.20" (107 mm)
L	7.87" (200 mm)

**Size 2**  
**Part No.**  
**25 004 01**

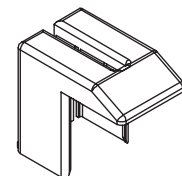
H	4.72" (120 mm)
L	9.06" (230 mm)

**Size 1**  
**Part No.**  
**25 005 01**

H	5.00" (127 mm)
L	9.84" (250 mm)

**Contact Insulating Covers**      **Size**  
**for NH Fuse Base**      **1 - 3**

Size	Part No.	for Fuse base	Weight (kg/1)	Pack
1	21 003 01.26	21 003 01	0.020	10
2	21 004 01.26	21 004 01	0.025	10
3	21 005 01.26	21 005 01	0.030	10



<b>Fuse Bases</b> <b>3 pole</b>	<b>Size</b> <b>1 + 2</b>	<b>Rated voltage</b> <b>AC 500/660/690 V</b>	<b>Standard</b> <b>DIN 43620</b>
------------------------------------	-----------------------------	---	-------------------------------------

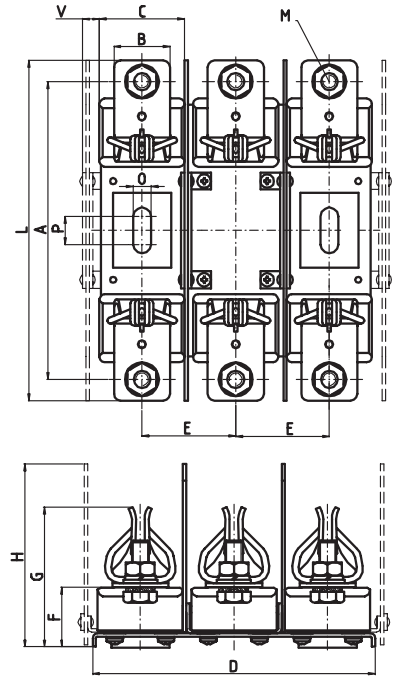
Rated current	Part No.	Weight (kg/1)	Pack
250 A	21 003 03	2.36	1
400 A	21 004 03		1

**Size 1**  
**Part No.**  
**21 003 03**

A	6.90" (175 mm)
B	1.30" (33 mm)
C	1.97" (50 mm)
D	6.54" (166 mm)
E	2.52" (64 mm)
F	1.38" (35 mm)
G	3.30" (84 mm)
H	4.20" (107 mm)
L	7.87" (200 mm)
M	M 10
O	0.40" (10 mm)
P	0.65" (16.5 mm)
V	0.40" (10 mm)

**Size 2**  
**Part No.**  
**21 004 03**

A	7.87" (200 mm)
B	1.30" (33 mm)
C	1.97" (50 mm)
D	7.00" (178 mm)
E	2.68" (68 mm)
F	1.38" (35 mm)
G	3.58" (91 mm)
H	4.72" (120 mm)
L	9.06" (230 mm)
M	M 10
O	0.40" (10 mm)
P	0.65" (16.5 mm)
V	0.40" (10 mm)



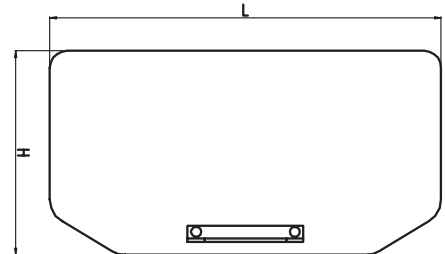
<b>External Wall</b>	<b>Size</b> <b>1 + 2</b>	<b>Standard</b> <b>DIN 43620</b>
----------------------	-----------------------------	-------------------------------------

**Size 1**  
**Part No.**  
**25 003 01**

H	4.20" (107 mm)
L	7.87" (200 mm)

**Size 2**  
**Part No.**  
**25 004 01**

H	4.72" (120 mm)
L	9.06" (230 mm)

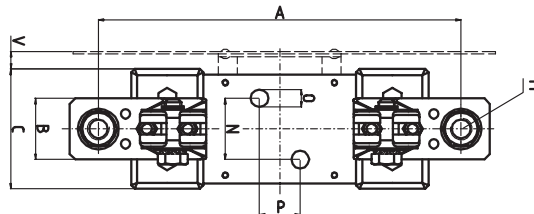
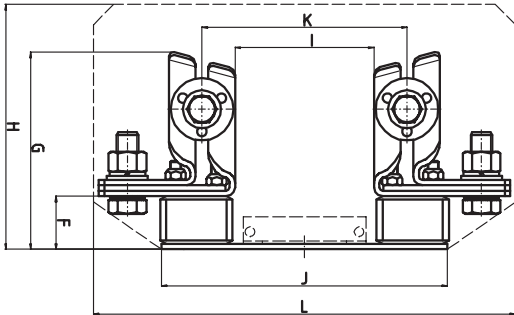




<b>Fuse Bases with binding screw contacts</b>	<b>Size 4</b>	<b>Rated voltage AC 500/660/690 V</b>	<b>Standard DIN 43620</b>
---	-------------------	---	-------------------------------

Rated current	Part No.	Weight (kg/1)	Pack
1250 A	21 006 01	3.65	1
1600 A	21 006 05	3.65	1

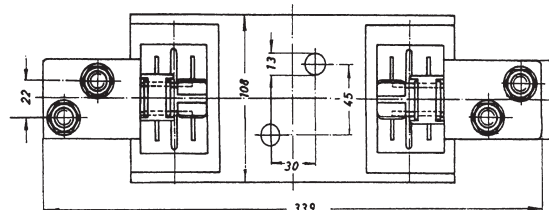
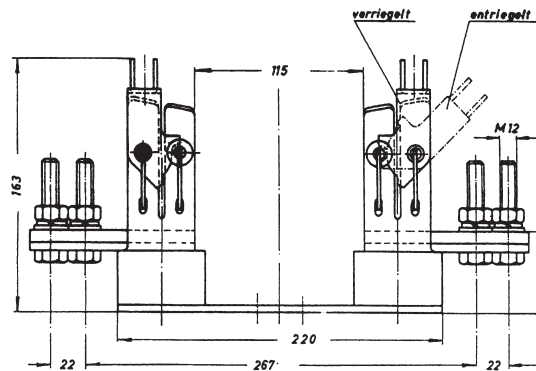
Fuse base, complete with assembled isolated plates Part No. 21 006 04



<b>A</b>	<b>10.24" (260 mm)</b>
<b>B</b>	<b>1.77" (45 mm)</b>
<b>C</b>	<b>3.46" (88 mm)</b>
<b>F</b>	<b>1.54" (39 mm)</b>
<b>G</b>	<b>5.70" (145 mm)</b>
<b>H</b>	<b>7.10" (180 mm)</b>
<b>I</b>	<b>4.02" (102 mm)</b>
<b>J</b>	<b>8.27" (210 mm)</b>
<b>K</b>	<b>5.90" (150 mm)</b>
<b>L</b>	<b>12.20" (310 mm)</b>
<b>M</b>	<b>M 16</b>
<b>N</b>	<b>1.77" (45 mm)</b>
<b>O</b>	<b>0.50" (13 mm)</b>
<b>P</b>	<b>1.18" (30 mm)</b>
<b>V</b>	<b>0.50" (13 mm)</b>

<b>Fuse Bases with binding screw contacts</b>	<b>Size 4a</b>	<b>Rated voltage AC 500/660/690 V</b>	<b>Standard DIN 43620</b>
---	--------------------	---	-------------------------------

Rated current	Part No.	Weight (kg/1)	Pack
1600 A	21 120 02	4.2	1



<b>Fuse Bases for NH Fuse Links</b>	<b>Size 000 + 00</b>	<b>Rated Voltage 1000 V</b>	<b>Standard DIN 43620</b>
---	--------------------------	---------------------------------	-------------------------------

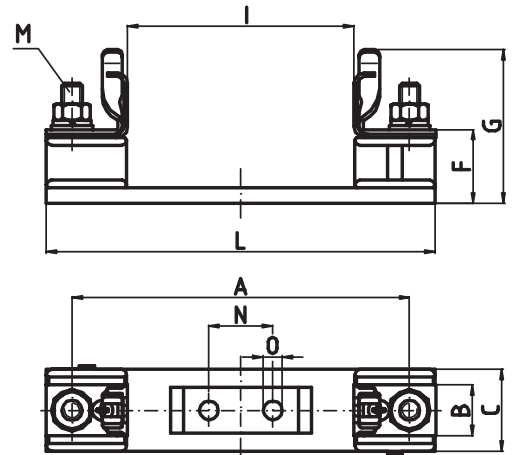
Rated current	Size	Part No. (kg/1)	Weight	Pack
100 A	000	21 386 01	0.28	1
160 A	00	21 389 01	0.29	1

**Part No.  
21 386 01**

A	5.20" (132 mm)
B	0.80" (20 mm)
C	1.26" (32 mm)
F	1.14" (29 mm)
G	2.32" (59 mm)
I	3.50" (89 mm)
L	5.98" (152 mm)
M	M 8
N	0.98" (25 mm)
O	0.30" (7.5 mm)

**Part No.  
21 389 01**

A	5.47" (139 mm)
B	0.80" (20 mm)
C	1.26" (32 mm)
F	1.14" (29 mm)
G	2.32" (59 mm)
I	3.78" (96 mm)
L	6.26" (159 mm)
M	M 8
N	0.98" (25 mm)
O	0.30" (7.5 mm)

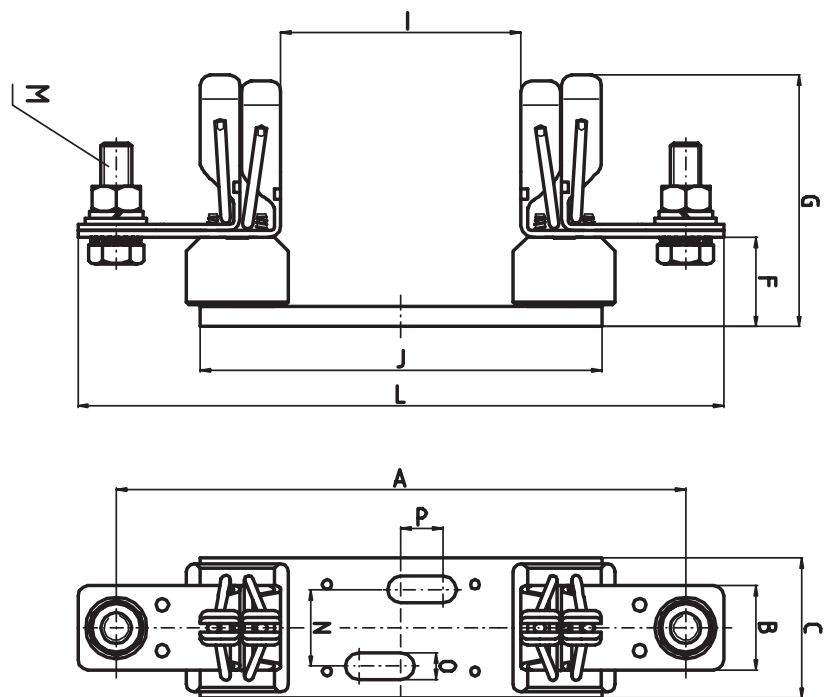


<b>Fuse Bases for NH Fuse Links</b>	<b>Size 3</b>	<b>Rated Voltage 1200/1500 V</b>	<b>Standard DIN 43620</b>
---	-------------------	--------------------------------------	-------------------------------

Rated current	Part No.	Weight (kg/1)	Pack
630 A	21 031 01	1.3	1

**Part No.  
21 031 01**

A	10.50" (267 mm)
B	1.30" (33 mm)
C	2.17" (55 mm)
F	1.46" (37 mm)
G	3.86" (98 mm)
I	5.40" (137 mm)
J	8.07" (205 mm)
L	11.65" (296 mm)
M	M 12
N	1.18" (30 mm)
O	0.40" (10.5 mm)
P	0.65" (16.5 mm)



**Grip Handle**                      Size                      Rated Voltage  
**00 - 3**                      **500 - 690 V**

Grip Handle	Part No.	Weight (kg/1)	Pack
Standard	22 001 02	0.24	1
Protected by Leather Glove	22 001 05	0.63	1

**Grip Handle**                      Size                      Rated Voltage  
**4 + 4a**                      **500 - 690 V**

Distance Removal Tags	Part No.	Weight (kg/1)	Pack
3.43" (87 mm)	22 120 01	0.54	1

**Grip Handle**                      Size                      Rated Voltage  
**3**                      **1500 V**

Distance Removal Tags	Part No.	Weight (kg/1)	Pack
4.72" (120 mm)	22 031 01	0.33	5

