

## Type 2 surge arrester - VAL-MS 230/3+1 - 2838209

Please be informed that the data shown in this PDF Document is generated from our Online Catalog. Please find the complete data in the user's documentation. Our General Terms of Use for Downloads are valid (<http://phoenixcontact.com/download>)



Surge arrester consisting of base element and ground connectors, for mounting on NS 35/7.5, nominal voltage: 230 V AC, 3 + 1 circuit

### Why buy this product

- With or without floating remote indication contact
- Mechanical coding of all slots
- Optical, mechanical status indication for the individual arresters
- Disconnect device on each individual plug
- Multi-channel type 2 arresters
- Type 2 consistent plug-in surge arresters



### Key Commercial Data

Packing unit	1 pc
GTIN	 4 017918 172824
Weight per Piece (excluding packing)	343.6 g
Custom tariff number	85363030
Country of origin	Germany

### Technical data

#### Dimensions

Height	90 mm
Width	71 mm
Depth	58 mm
Horizontal pitch	4 Div.

#### Ambient conditions

Degree of protection	IP20 (only when all terminal points are used)
Ambient temperature (operation)	-40 °C ... 80 °C

# Type 2 surge arrester - VAL-MS 230/3+1 - 2838209

## Technical data

### Ambient conditions

Ambient temperature (storage/transport)	-40 °C ... 80 °C
Altitude	≤ 2000 m (amsl (above mean sea level))
Permissible humidity (operation)	5 % ... 95 %
Shock (operation)	25g
Vibration (operation)	5g

### General

Standards/specifications	IEC 61643-11 2011
	EN 61643-11 2012
IEC test classification	II
	T2
EN type	T2
IEC power supply system	TN-S
	TT
Number of ports	One
SPD design	Combination type
Mode of protection	L-N
	L-PE
	N-PE
Mounting type	DIN rail: 35 mm
Color	black
Housing material	PA 6.6
	PBT
Pollution degree	2
Flammability rating according to UL 94	V-0
Type	DIN rail module, two-section, divisible
Number of positions	4
Surge protection fault message	optical

### Protective circuit

Nominal voltage $U_N$	240/415 V AC (TN-S)
	240/415 V AC (TT)
Nominal frequency $f_N$	50 Hz (60 Hz)
Maximum continuous operating voltage $U_C$ (L-N)	275 V AC
Maximum continuous voltage $U_C$ (N-PE)	260 V AC
Rated load current $I_L$	80 A
Residual current $I_{PE}$	≤ 5 μA
Standby power consumption $P_C$	≤ 360 mVA
Nominal discharge current $I_n$ (8/20) μs (L-N)	20 kA
Nominal discharge current $I_n$ (8/20) μs (L-PE)	20 kA
Nominal discharge current $I_n$ (8/20) μs (N-PE)	20 kA

# Type 2 surge arrester - VAL-MS 230/3+1 - 2838209

## Technical data

### Protective circuit

Maximum discharge current $I_{max}$ (8/20) $\mu$ s (L-N)	40 kA
Maximum discharge current $I_{max}$ (8/20) $\mu$ s (L-PE)	40 kA
Maximum discharge current $I_{max}$ (8/20) $\mu$ s (N-PE)	40 kA
Follow current interrupt rating $I_{fi}$ (N-PE)	100 A (260 V)
Short-circuit current rating $I_{SCCR}$	25 kA
Voltage protection level $U_p$ (L-N)	$\leq 1.35$ kV
Voltage protection level $U_p$ (L-PE)	$\leq 1.6$ kV
Voltage protection level $U_p$ (N-PE)	$\leq 1.5$ kV
Residual voltage $U_{res}$ (L-N)	$\leq 1.35$ kV (at $I_n$ )
	$\leq 1.1$ kV (at 10 kA)
	$\leq 1$ kV (at 5 kA)
	$\leq 0.9$ kV (at 3 kA)
Residual voltage $U_{res}$ (L-PE)	$\leq 1.6$ kV (at $I_n$ )
	$\leq 1.2$ kV (at 10 kA)
	$\leq 1$ kV (at 5 kA)
	$\leq 0.9$ kV (at 3 kA)
Residual voltage $U_{res}$ (N-PE)	$\leq 0.4$ kV (at $I_n$ )
	$\leq 0.25$ kV (at 10 kA)
	$\leq 0.15$ kV (at 5 kA)
	$\leq 0.1$ kV (at 3 kA)
Front of wave sparkover voltage at 6 kV (1.2/50) $\mu$ s (N-PE)	$\leq 1.5$ kV
TOV behavior at $U_T$ (L-N)	335 V AC (5 s / withstand mode)
	440 V AC (120 min / safe failure mode)
TOV behavior at $U_T$ (N-PE)	1200 V AC (200 ms / withstand mode)
Response time $t_A$ (L-N)	$\leq 25$ ns
Response time $t_A$ (N-PE)	$\leq 100$ ns
Max. backup fuse with branch wiring	125 A AC (gG)
Max. backup fuse with V-type through wiring	80 A AC (gG)

### Connection data

Connection method	Screw connection
Conductor cross section flexible min.	1.5 mm <sup>2</sup>
Conductor cross section flexible max.	25 mm <sup>2</sup>
Conductor cross section solid min.	1.5 mm <sup>2</sup>
Conductor cross section solid max.	35 mm <sup>2</sup>
AWG conductor cross section	15 ... 2
	10 ... 2 (UL)
Screw thread	M5
Tightening torque	4.5 Nm
	30 lb <sub>f</sub> -in. (UL)

# Type 2 surge arrester - VAL-MS 230/3+1 - 2838209

## Technical data

### Connection data

Stripping length	16 mm
------------------	-------

### UL specifications

SPD Type	4 (for Type 2 applications)
Maximum continuous operating voltage MCOV (L-N)	275 V AC
Maximum continuous operating voltage MCOV (N-G)	260 V AC
Nom. voltage	230/400 V AC
Mode of protection	L-L
	L-N
	L-G
	N-G
Power distribution system	3Y
Nominal frequency	50/60 Hz
Voltage protection rating VPR (L-L)	1.8 kV
Voltage protection rating VPR (L-N)	1 kV
Voltage protection rating VPR (L-G)	1.5 kV
Voltage protection rating VPR (N-G)	0.9 kV
Nominal discharge current I <sub>n</sub> (L-L)	20 kA
Nominal discharge current I <sub>n</sub> (L-N)	20 kA
Nominal discharge current I <sub>n</sub> (L-G)	20 kA
Nominal discharge current I <sub>n</sub> (N-G)	20 kA

## Classifications

### eCl@ss

eCl@ss 4.0	27140201
eCl@ss 4.1	27130801
eCl@ss 5.0	27130801
eCl@ss 5.1	27130801
eCl@ss 6.0	27130805
eCl@ss 7.0	27130805
eCl@ss 8.0	27130805

### ETIM

ETIM 2.0	EC000941
ETIM 3.0	EC000941
ETIM 4.0	EC000941
ETIM 5.0	EC000941

### UNSPSC

UNSPSC 6.01	30212010
-------------	----------

# Type 2 surge arrester - VAL-MS 230/3+1 - 2838209

## Classifications

### UNSPSC

UNSPSC 7.0901	39121610
UNSPSC 11	39121610
UNSPSC 12.01	39121610
UNSPSC 13.2	39121620

## Approvals

### Approvals

#### Approvals

IECEE CB Scheme / UL Recognized / KEMA-KEUR / ÖVE / cUL Recognized / GL / CCA / EAC / EAC / CSA / cULus Recognized

#### Ex Approvals

#### Approvals submitted

### Approval details

IECEE CB Scheme

UL Recognized

KEMA-KEUR

ÖVE

cUL Recognized

GL

## Type 2 surge arrester - VAL-MS 230/3+1 - 2838209


### Approvals

CCA

EAC

EAC

CSA

cULus Recognized 

### Accessories

#### Spare parts

Type 2 surge protection plug - VAL-MS 230 ST - 2798844



Surge protection connector type 2 with high-capacity varistor for VAL-MS base element, thermal monitoring, visual fault warning. Design: 230 V AC

Type 2 surge protection plug - F-MS 12 ST - 2817990

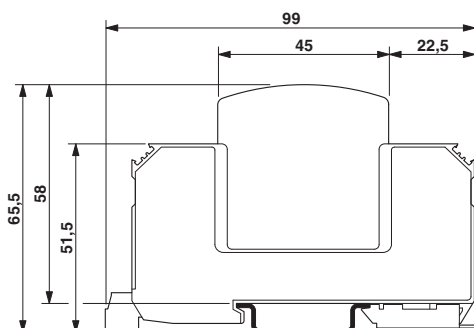


Surge protection plug type 2, with N-PE total current spark gap for base element.

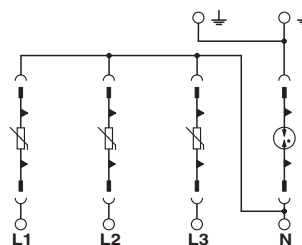
### Drawings

## Type 2 surge arrester - VAL-MS 230/3+1 - 2838209

Dimensional drawing



Circuit diagram



The illustration shows the dimensional drawing for a version with remote indicator contact