



## SURGE COUNTER Model: DSC05

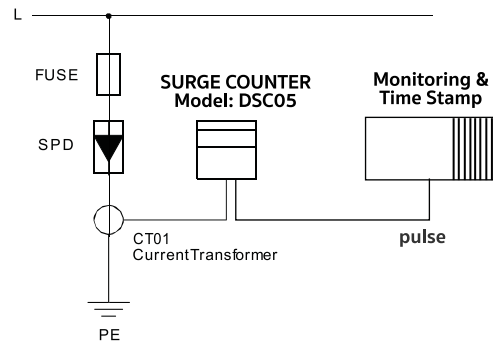
The surge counter DSC05XXXX can check fuse status for 3 phases, Alarm, base surge status, surge increase status and buzzer. It can count the switching surge and lightning surge from 250A to 100kA. The display come up with 4 digit. Separated sensor core from measuring unit helps installation

Electromagnetic  
Sensor

Compiler  
and counter

### Features

- Fast Response
- Low Triggering Level
- Segment 4 digit
- Check Fuse and base surge to Alarm fail
- Easy installation
- Pulse Surge Output, Status Fuse and Base surge



### Specification

Module	DSC05-250	DSC05-500	DSC05-750	DSC05-1000
$I_{init}$	250A	500A	750A	1000A
Design	Two modules, One 7-segment 4 digit.			
Trigger level	Initial current $I_{init} \pm 10\%$ (8/20us standard current waveform)			
Max. counting discharge	100kA			
Power	230V AC			
Dimension Counter	135 x 110 x 50 mm. (W x H x D)			
Dimension Sensor	50.50 x 60 x 24 mm. (W x H x D)			
Material	Metal			
Resetting method	Tact switch at device for resetting count number to 0			
Sensor Cable	20 AWG twisted Length 1 m. (Between counter and sensor)			
Operating Temp	0 – 60 °C			

