

Surge protection device - C-SAT-BOX - 2880561

Please be informed that the data shown in this PDF Document is generated from our Online Catalog. Please find the complete data in the user's documentation. Our General Terms of Use for Downloads are valid (<http://phoenixcontact.com/download>)



Surge protection for antenna distributors in satellite systems. IN and OUT via F connectors, 5 channels for signals from SAT systems and terrestrial antennas, ground connection on the outside of the housing.

Why buy this product

- Wall mounting supported
- Protection for antenna inputs in satellite receiver technology
- Analog and digital SAT signals
- Terrestrial antenna signals
- Use before antenna distributor or multi-switch

Key Commercial Data

Packing unit	1 STK
GTIN	 4 046356 048941
GTIN	4046356048941
Weight per Piece (excluding packing)	221.300 g
Custom tariff number	85363010
Country of origin	Germany

Technical data

Dimensions

Height	32 mm
Width	145 mm
Depth	72 mm

Ambient conditions

Ambient temperature (operation)	-25 °C ... 55 °C
Ambient temperature (storage/transport)	-40 °C ... 80 °C
Altitude	≤ 4000 m (amsl (above mean sea level))
Degree of protection	IP40

Surge protection device - C-SAT-BOX - 2880561

Technical data

General

Housing material	Zinc die-cast
Color	silver
Standards for clearances and creepage distances	IEC 60664-1
	DIN VDE 0110-1
Overvoltage category	II
Degree of pollution	2
Mounting type	Screw mounting
Type	Housing for surface mounting
Number of positions	5
Direction of action	Line-Shield/Earth Ground

Protective circuit

IEC test classification	B2
	C1
	C2
	C3
	D1
Nominal voltage U_N	14 V DC (vertical)
	18 V DC (horizontal)
Maximum continuous voltage U_C	20 V DC
Rated current	400 mA (25 °C)
Operating effective current I_C at U_C	$\leq 2 \mu A$
Residual current I_{PE}	$\leq 2 \mu A$
Nominal discharge current I_n (8/20) μs (Core-Shield)	2.5 kA
Total discharge current I_{total} (8/20) μs	10 kA
Max. discharge current I_{max} (8/20) μs maximum (Core-Shield)	2.5 kA
Nominal pulse current I_{an} (10/1000) μs (Core-Shield)	100 A
Nominal pulse current I_{an} (10/700) μs (Core-Shield)	100 A
Output voltage limitation at 1 kV/ μs (Core-Shield) static	$\leq 80 V$
Voltage protection level U_p (core-shield)	$\leq 500 V$ (C2 - 4 kV / 2 kA)
	$\leq 120 V$ (C3 - 100 A)
Response time t_A (core-GND)	$\leq 1 ns$
Input attenuation aE, asym.	$\leq 1 dB$ ()
	$\leq 3 dB$ ()
Near-end crosstalk attenuation	$\geq 35 dB$ ()
Cut-off frequency f_g (3 dB), asym. (shield) in 75 Ohm system	$> 2.5 GHz$
Frequency range	47 MHz ... 2.5 GHz
Inductivity in series	typ. 5 μH (f = 10 kHz)
Resistance in series	3.3 Ω $\pm 20 \%$
Surge protection fault message	none
	C1 - 1 kV/500 A

Surge protection device - C-SAT-BOX - 2880561

Technical data

Protective circuit

	C2 - 4 kV/2 kA
	C3 - 100 A
	D1 - 500 A
Impulse durability (shield-ground)	C2 - 10 kA
	D1 - 5 kA

Connection data

Connection method	F connector
Connection method IN	F connector, female
Connection method OUT	F connector, female

Connection, equipotential bonding

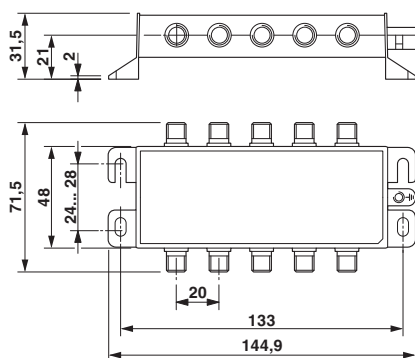
Connection method	Screw connection
-------------------	------------------

Standards and Regulations

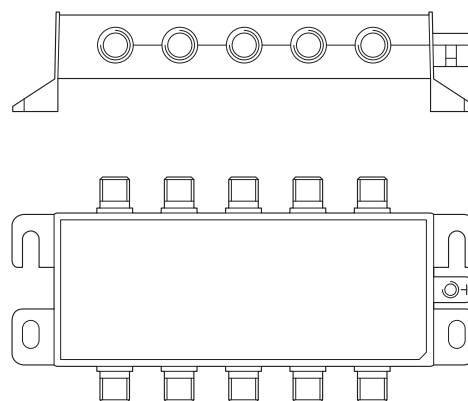
Standards/specifications	IEC 61643-21 2000 + A1:2008 + A2:2012
	EN 61643-21 2013
	CLASS-A

Drawings

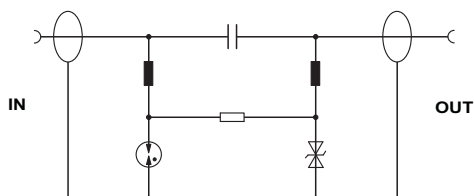
Dimensional drawing



Product drawing

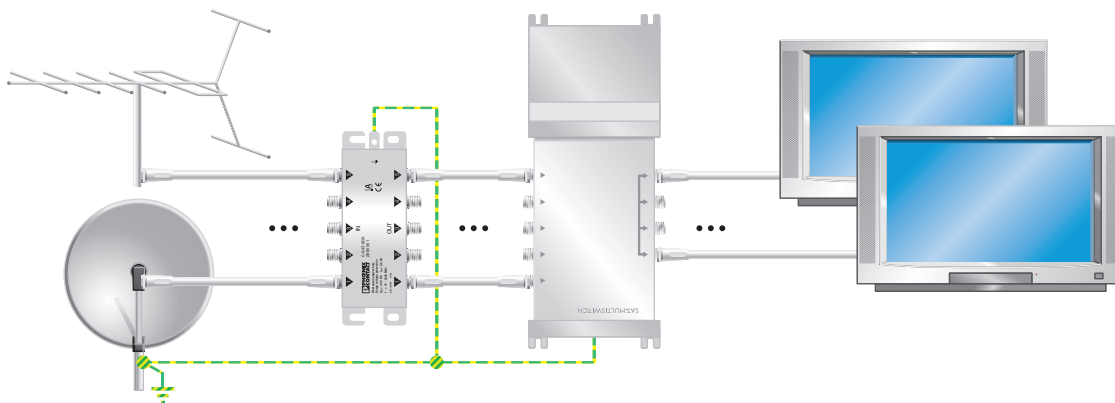


Circuit diagram



Surge protection device - C-SAT-BOX - 2880561

Application drawing



Classifications

eCl@ss

eCl@ss 4.0	27140201
eCl@ss 4.1	27130801
eCl@ss 5.0	27130801
eCl@ss 5.1	27130801
eCl@ss 6.0	27130807
eCl@ss 7.0	27130807
eCl@ss 8.0	27130807
eCl@ss 9.0	27130807

ETIM

ETIM 2.0	EC000943
ETIM 3.0	EC000943
ETIM 4.0	EC000943
ETIM 5.0	EC000943
ETIM 6.0	EC000943

UNSPSC

UNSPSC 6.01	30212010
UNSPSC 7.0901	39121610
UNSPSC 11	39121610
UNSPSC 12.01	39121610
UNSPSC 13.2	39121620

Approvals

Approvals

Surge protection device - C-SAT-BOX - 2880561


Approvals

Approvals

EAC

Ex Approvals

Approval details

EAC		RU C- DE.A*30.B01561
-----	---	-------------------------

Accessories

Accessories

Coaxial adapter

Adapter - ADAPTER KOAX TYP F - 2880972



F-connector-to-adapter, plug-to-plug, can be plugged without thread.

Coaxial cable

Cable - KBL-SAT/20 - 2880985



Connecting cable 20 cm with F connector, male connector.
