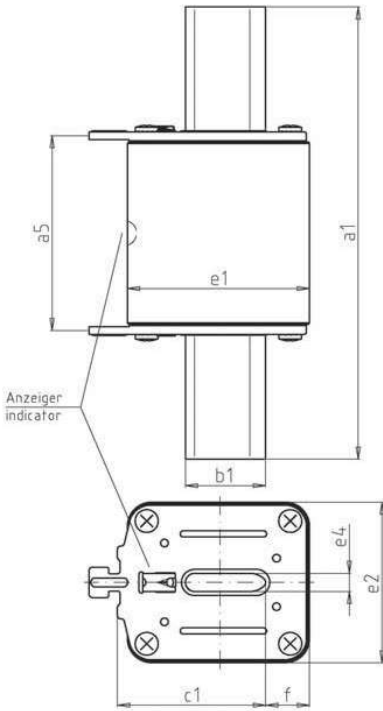


690 V



NH 1 / NH 2 / NH 3



Spannungsführende Griffflaschen / Non insulated removal tags

Verpackung / Packing 3 Stück / 3 pieces

Betriebsklasse / Class
aM

IEC 60269-2
VDE 0636 Teil 2

| Bemes- sungs- spannung Rated Voltage | Artikel Article | Größe Size | Bemes- sungs- strom Rated Current | Länge Length | | | | | | | | | |
|--|--------------------|---------------|---|-----------------|----------------|----------------|----------------|----------------|----------------|----|----------------|----|----|
| | | | | a ₅ | a ₁ | b ₁ | e ₄ | e ₁ | e ₂ | f | c ₁ | h | i |
| V | | | I _n / A | mm | mm | mm | mm | mm | mm | mm | mm | mm | mm |
| 690 | 20 211 08 | NH 1 | 16 - 250 | 65 | 135 | 20 | 6 | 51,5 | 42 | 14 | 40 | - | - |
| | 20 212 08 | NH 2 | 35 - 250 | 65 | 150 | 20 | 6 | 51,5 | 42 | 14 | 48 | - | - |
| | | | 315 | 65 | 150 | 26 | 6 | 59 | 53 | 14 | 48 | - | - |
| | 20 213 08 | NH 3 | 250 - 315 | 65 | 150 | 26 | 6 | 59 | 53,5 | 14 | 60 | - | - |
| | | | 355 - 400 | 65 | 150 | 26 | 6 | 73,5 | 65 | 14 | 60 | - | - |

| Bemessungs- strom Rated Current | Artikel Nr. / Leistungsabgabe Article No. / Power Loss | | | | | | Gewicht Weight | Bemessungs- ausschalt- vermögen Rated Breaking Capacity | Schmelz- integral Pre- Arcing- i ² t-Value | Ausschaltintegral Total i ² t-Value | | | |
|--|---|-----|---------------|------|---------------|----|-------------------|---|---|---|------------------|------------------|--|
| | NH 1 | | NH 2 | | NH 3 | | | | | @ AC 254 V | @ AC 440 V | @ AC 500 V | |
| I _n / A | | W | W | W | W | W | kg/1 | kA | A ² s | A ² s | A ² s | A ² s | |
| 16 | 20 211 08.16 | 1,0 | - | - | - | - | 0,28 | 120 | 476 | 780 | 950 | 1.280 | |
| 20 | 20 211 08.20 | 1,1 | - | - | - | - | 0,28 | 120 | 921 | 1.500 | 1.850 | 2.500 | |
| 25 | 20 211 08.25 | 1,4 | - | - | - | - | 0,28 | 120 | 1.441 | 2.400 | 2.880 | 3.900 | |
| 32 | 20 211 08.32 | 1,9 | - | - | - | - | 0,28 | 120 | 2.430 | 4.000 | 4.860 | 6.600 | |
| 35 | 20 211 08.35 | 2,1 | 20 212 08.35 | 2,29 | - | - | 0,41/0,48 | 120 | 2.820 | 4.700 | 5.640 | 7.600 | |
| 40 | 20 211 08.40 | 2,4 | 20 212 08.40 | 2,65 | - | - | 0,41/0,48 | 120 | 3.680 | 6.100 | 7.360 | 10.000 | |
| 50 | 20 211 08.50 | 2,8 | 20 212 08.50 | 3,04 | - | - | 0,41/0,48 | 120 | 7.290 | 12.000 | 14.600 | 19.700 | |
| 63 | 20 211 08.63 | 3,8 | 20 212 08.63 | 4,14 | - | - | 0,41/0,48 | 120 | 10.400 | 17.200 | 20.800 | 28.100 | |
| 80 | 20 211 08.80 | 4,8 | 20 212 08.80 | 5,28 | - | - | 0,41/0,48 | 120 | 17.800 | 29.400 | 35.600 | 48.100 | |
| 100 | 20 211 08.100 | 6,0 | 20 212 08.100 | 6,65 | - | - | 0,41/0,48 | 120 | 29.100 | 48.000 | 58.200 | 78.600 | |
| 125 | 20 211 08.125 | 7,8 | 20 212 08.125 | 8,54 | - | - | 0,41/0,48 | 120 | 46.700 | 77.000 | 93.400 | 126.000 | |
| 160 | 20 211 08.160 | 10 | 20 212 08.160 | 11 | - | - | 0,41/0,48 | 120 | 74.600 | 124.000 | 149.000 | 202.000 | |
| 200 | 20 211 08.200 | 14 | 20 212 08.200 | 15 | - | - | 0,41/0,48 | 120 | 111.000 | 183.000 | 222.000 | 300.000 | |
| 224 | 20 211 08.224 | 16 | 20 212 08.224 | 18 | - | - | 0,41/0,48 | 120 | 132.000 | 218.000 | 264.000 | 357.000 | |
| 250 | 20 211 08.250 | 18 | 20 212 08.250 | 20 | 20 213 08.250 | 22 | 0,41/0,48/0,86 | 120 | 167.000 | 276.000 | 334.000 | 451.000 | |
| 315 | - | - | 20 212 08.315 | 24 | 20 213 08.315 | 25 | 0,86/1,10 | 120 | 298.000 | 492.000 | 596.000 | 805.000 | |
| 355 | - | - | - | - | 20 213 08.355 | 26 | 1,10 | 120 | 446.000 | 740.000 | 892.000 | 1.210.000 | |
| 400 | - | - | - | - | 20 213 08.400 | 28 | 1,10 | 120 | 623.000 | 1.030.000 | 1.246.000 | 1.680.000 | |

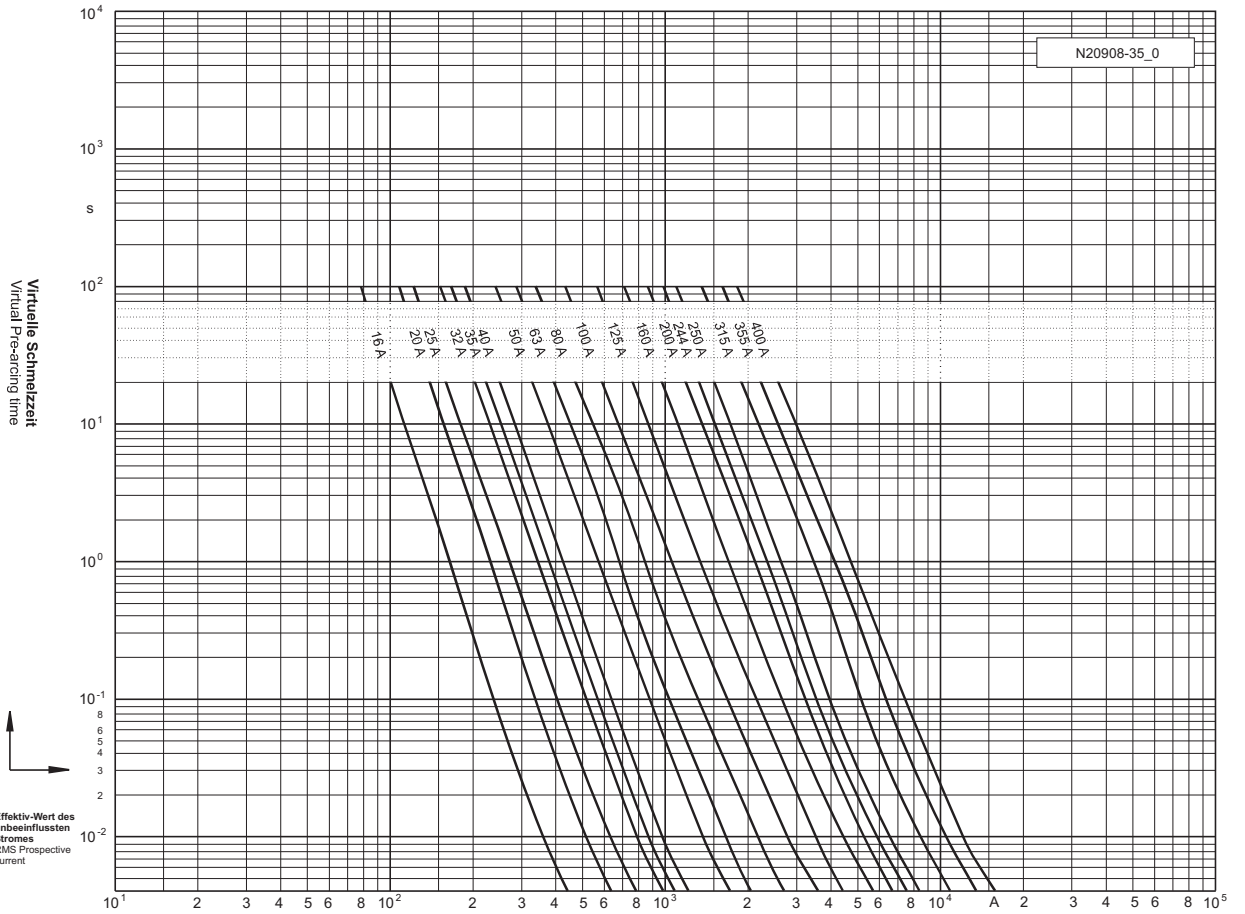
690 V



NH 1 / NH 2 / NH 3

aM

Zeit/Strom-
Kennlinien
Time-current
characteristics



Durchlass-Strom
Cut-off current

