

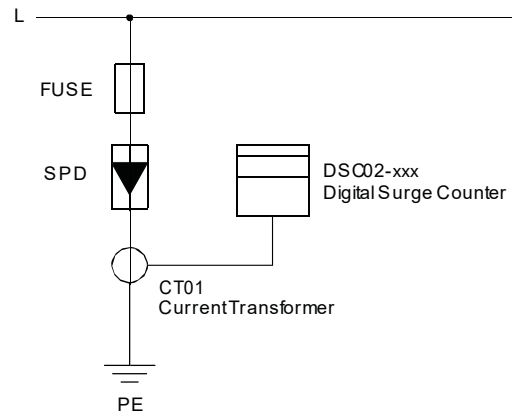
## Model : DSC02 Series

The Surge Counter DSC02-xxx is DIN rail Mounted designed to count the switching surge and lightning surge from 250A to 100kA. The display come up with 8 digits LCD with reset button. Separated sensor core from measuring unit helps installation easier



## Features

- » Fast Response
- » Low Triggering Level
- » LCD 8 digits
- » Easy Installation
- » Energy Saving
- » Pulse Output



## Specification

Model	DSC02-250	DSC02-500	DSC02-750	DSC02-1000
$I_{init}$	250A	500A	750A	1000A

Design	Two modules , One LCD 8 digits display module. The module is compacted in light weight Polycarbonate case.
Trigger level	Initial current $I_{init} \pm 20\%$ (8/20 $\mu$ s standard current waveform)
Max. counting discharge	100kA
Power	3V with CR2450 (Battery life > 3 year)
Display	Electronic counter LCD 8 digits
Output type	PNP Pull-up Drive 24 V
Resetting method	Tact switch at device for resetting count number to 0
Degree of Protection	IP 20
Mounting	35 mm. DIN rails
Dimension Counter	53.3 x 90 x 60 mm. (W x H x D)
Surge Sensor	Current Transformer (CT)
Dimension Sensor	50 x 65 x 55 mm. (W x H x D)
Sensor Hole	$\varnothing$ 18 mm. (Maximum 70 sq.mm.)
Sensor Cable	20 AWG twisted Length 0.5 m. (Between counter and sensor)
Operating Temp	-10 to 55 °C