



SURGE COUNTER Model: DSC05

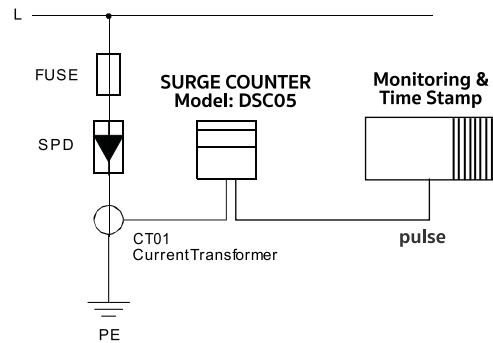
The surge counter DSC05XXXX can check fuse status for 3 phases, Alarm, base surge status, surge increase status and buzzer. It can count the switching surge and lightning surge from 250A to 100kA. The display come up with 4 digit. Separated sensor core from measuring unit helps installation

Electromagnetic
Sensor

Compiler
and counter

Features

- Fast Response
- Low Triggering Level
- Segment 4 digit
- Check Fuse and base surgeto Alarm fail
- Easy installation
- Pulse Surge Output, Status Fuse and Base surge



Specification

Module	DSC05-250	DSC05-500	DSC05-750	DSC05-1000
I_{init}	250A	500A	750A	1000A
Design	Two modules, One 7-segment 4 digit.			
Trigger level	Initial current $I_{init} \pm 10\%$ (8/20us standard current waveform)			
Max. counting discharge	100kA			
Power	230V AC			
Dimension Counter	135 x 110 x 50 mm. (W x H x D)			
Dimension Sensor	50.50 x 60 x 24 mm. (W x H x D)			
Material	Metal			
Resetting method	Tact switch at device for resetting count number to 0			
Sensor Cable	20 AWG twisted Length 1 m. (Between counter and sensor)			
Operating Temp	0 – 60 °C			



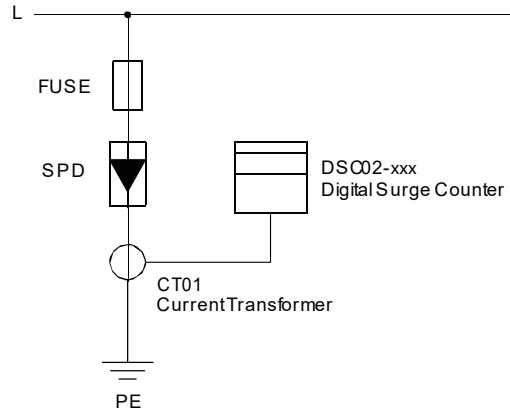
Model : DSC02 Series

The Surge Counter DSC02-xxx is DIN rail Mounted designed to count the switching surge and lightning surge from 250A to 100kA. The display come up with 8 digits LCD with reset button. Separated sensor core from measuring unit helps installation easier



Features

- » Fast Response
- » Low Triggering Level
- » LCD 8 digits
- » Easy Installation
- » Energy Saving
- » Pulse Output



Specification

Model	DSC02-250	DSC02-500	DSC02-750	DSC02-1000
I_{init}	250A	500A	750A	1000A

Design	Two modules , One LCD 8 digits display module. The module is compacted in light weight Polycarbonate case.
Trigger level	Initial current $I_{init} \pm 20\%$ (8/20 μ s standard current waveform)
Max. counting discharge	100kA
Power	3V with CR2450 (Battery life > 3 year)
Display	Electronic counter LCD 8 digits
Output type	PNP Pull-up Drive 24 V
Resetting method	Tact switch at device for resetting count number to 0
Degree of Protection	IP 20
Mounting	35 mm. DIN rails
Dimension Counter	53.3 x 90 x 60 mm. (W x H x D)
Surge Sensor	Current Transformer (CT)
Dimension Sensor	50 x 65 x 55 mm. (W x H x D)
Sensor Hole	\varnothing 18 mm. (Maximum 70 sq.mm.)
Sensor Cable	20 AWG twisted Length 0.5 m. (Between counter and sensor)
Operating Temp	-10 to 55 °C