



Network Speed Dome Camera
Intelligent High Network Speed Dome Camera



HP-39P20

Network Speed Dome Camera



Sensor



Min.
Illumination



BLC



WDR



AGC



Day&Night



AWB



Sync



IP66



Specification

SPECIFICATION

PRODUCT MODEL	HP-39P20-AT
Image Sensor	1/2.8" Progressive Scan CMOS
Resolution	1080P(1920X1080)
Mini Illumination	0.05 Lux (Colour) (F1.6,AGC ON), 0.01 Lux (B/W) (F1.6,AGC ON)
Lens	f=4.7~94 mm
IRIS	F1.6~F3.5
Angle of View	61.4°(wide) ~ 2.9°(tele)
Min Object Distance	10mm~1500mm
Optical Zoom	20x
Digital Zoom	12x
Electronic Shutter	1/1~1/10,000s
Day/Night	ICR (Auto/Day/Night)
Focus	Auto/Manual/Semi-auto
BLC	on/off
White balance	MWB/AWB1/AWB2/Incandescent Camp/ Outdoor/Indoor/Fluorescent Lamp
SNR	>52dB
Gain Control	Auto/Manual
WDR	Support
Mirror Image	Level, Tilt, Centre
Noise Reduction	3D

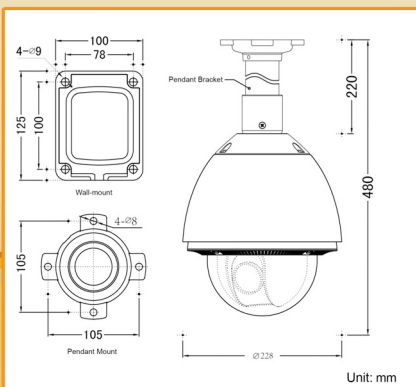
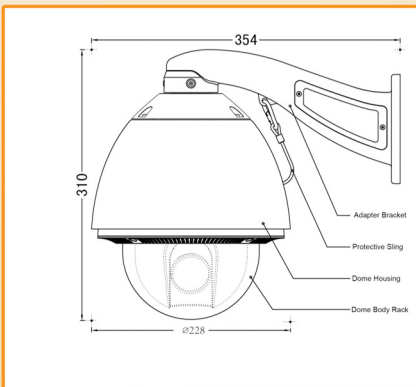
NETWORK PARAMETER

Solution	Ambarella A5S
Video Coding	*H.264 Main Profile MJPEG/JPEG Baseline*
Dual-stream	Support
Image Resolution	*Main stream : 1920x1080 1080P * 704x576 D1 *
Second stream	
Audio Coding	G.711ulaw/G.711alaw/G.726
ONVIF Protocol	Support
NETWORK PROTOCAL	TCP/IP、HTTP、DHCP、DNS、DDNS、RTP、RTSP、PPPoE 、SMTP、NTP、UPnP、SNMP、FTP、802.1x、QoS、HTTPs、 IPv6 (SIP,SRTP,optional)
Port	*1xaudio input, 1xaudio output, 1xalarm input, 1xalarm output, 1xnetwork port 1xanalog output, 1xpower supply input*

DOME PARAMETER

Pan Range	360°
Tilt Range	-10°~90° auto flip
Manual Speed Horizontal	: 0.01°/s - 6000°/s, Vertical: 0.01°/s - 120°/s
Preset Speed Pan	: 600°/s, Tilt: 120°/s
Preset	256
Auto Cruising	8 groups (32 Preset/group)
Auto Scan	8 groups (setup left and right boundary)
Pattern Scanning	4 groups
Auto-tracking	-
Bracket	Wall mount/ Pendant mount
Junction Box	-
OSD Menu	English/Chinese
Timing function	Support
Alarm	7 inputs/ 2 outputs (Optional)
Power Supply	DC12V±10%
Power consumption	≤50W
Working Temp	-35°c +60°c
Working Humidity	<95%, no condensing
Protection Level	IP66
Weight	5.8kg

NETWORK PTZ SPEEDDOME CAMERA



Unit: mm