

LED Floodlight, AL-FD2 series



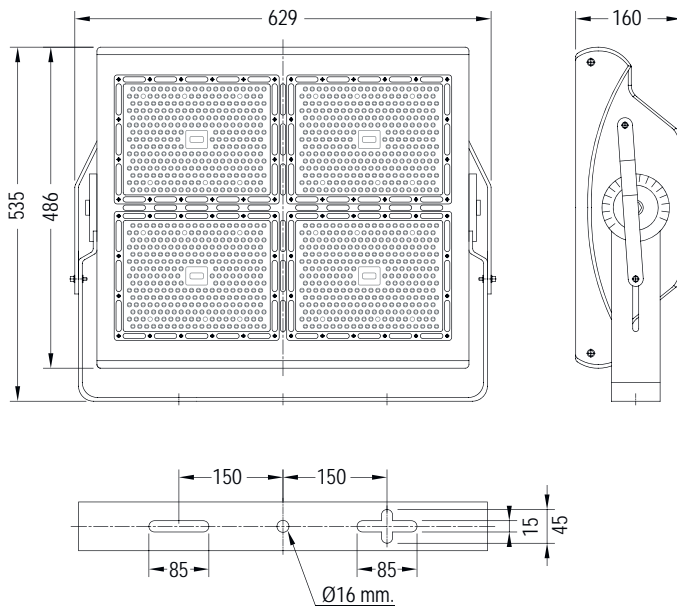
Indoor/Outdoor use, IP65

Feature

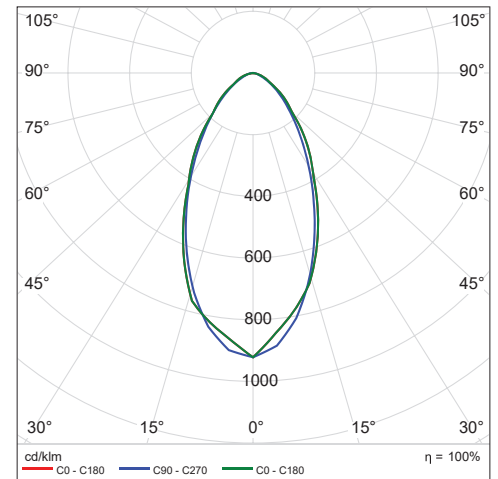
- LED floodlight is an ideal place for people who need a lot of light But eat the same low electricity bills in department stores, department stores, goods, petrol stations, stadiums, parking lots.
- The housing is made of aluminum injection molding. Good heat dissipation and light weight.
- Colour rendering index (CRI) more than 70
- Water and dust protection standards IP65
- Passed the radio disturbance limits TIS1955-2551
- Long lifespan of up to 50,000 hours (L70)
- Light colors 730, 740, 757 and 765



Dimension in mm.



Luminous Intensity Distribution



Cat. No.	AL-FD2-500W/□	AL-FD2-600W/□	AL-FD2-700W/□	AL-FD2-800W/□	AL-FD2-900W/□	AL-FD2-1000W/□
Input voltage	110-240V.ac 50/60Hz.					
LED power	500W.	600W.	700W.	800W.	900W.	1,000W.
Power factor	>0.95					
Lumen output	67,000 lm	80,000 lm	93,000 lm	107,000 lm	120,600 lm	127,000 lm
Luminous efficient	130 lm/W	130 lm/W	134 lm/W	134 lm/W	134 lm/W	134 lm/W
Colour temperature	3,000K ; 4,000K ; 5,700K or 6,500K					
THDi	<15%					
Chip	Cree, Nichia					
LED quantity	800 pcs.	800 pcs.	800 pcs.	1,040 pcs.	1,040 pcs.	1,040 pcs.
CRI	RA > 70					
Beam angle	60 degree					
Life time	>50,000 Hrs. (70% lumen maintenance)					
Ambient temperature	-25°C to +60°C					
Driver	Mean well (meet 6kV surge immunity level, 10kV external surge is option)					
Housing material	Aluminium					
Standard	TIS1955-2551					
Warranty	3 years					

Replace □ Colour temperature ; 730 : 3,000K 740 : 4,000K 757 : 5,700K 765 : 6,500K