

LED Floodlight, AL-FD1 series

Indoor/Outdoor use, IP65

Feature

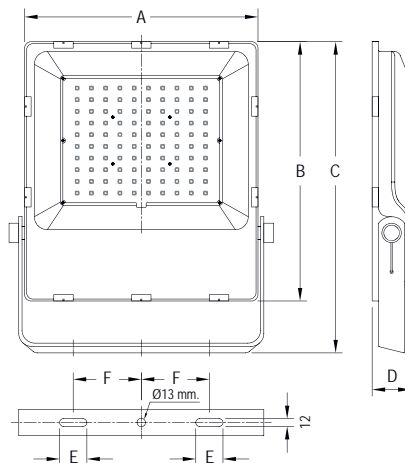
- LED floodlight is an ideal place for people who need a lot of light But eat the same low electricity bills in department stores, department stores, goods, petrol stations, stadiums, parking lots.
- The housing is made of aluminum injection molding. Good heat dissipation and light weight.
- Colour rendering index (CRI) more than 70
- Water and dust protection standards IP65
- Passed the radio disturbance limits TIS1955-2551
- Long lifespan of up to 50,000 hours (L70)
- Light colors 730, 740, 757 and 765

Dimension in mm.

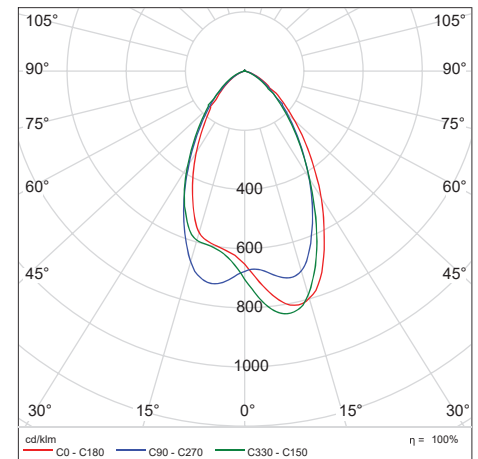
LED Power	Dimension in mm.						Weight (kgs.)
	A	B	C	D	E	F	
30W.	167	200	227	40	37	58	2.24
50W.	221	264	315	51	37	58	2.24
80W.	244	305	350	55	42	61	3.16
100W.	295	344	404	59	42	61	4.05
150W.	330	365	433	61	42	105	5.18
160W.	330	365	433	61	42	105	5.18
200W.	360	401	471	64	42	105	6.00
240W.	360	401	471	64	42	105	6.05



Innovative G-buckle technology, prevent glass off, free of screw fixing, elegant appearance, easy for assembling.



Luminous Intensity Distribution



Cat. No.	AL-FD1-30W/□	AL-FD1-50W/□	AL-FD1-80W/□	AL-FD1-100W/□	AL-FD1-150W/□	AL-FD1-160W/□	AL-FD1-200W/□	AL-FD1-240W/□
Input voltage	110-240V.ac 50/60Hz.							
LED power	30W.	50W.	80W.	100W.	150W.	160W.	200W.	240W.
Power factor	>0.95							
Lumen output	3,800 lm	6,900 lm	9,222 lm	12,100 lm	18,600 lm	19,500 lm	25,000 lm	27,840 lm
Luminous efficient	126 lm/W	130 lm/W	116 lm/W	120 lm/W	120 lm/W	120 lm/W	120 lm/W	116 lm/W
Colour temperature	3,000K ; 4,000K ; 5,700K or 6,500K							
THDi	<15%							
Chip	Cree							
LED quantity	30 pcs	50 pcs.	80 pcs.	100 pcs.	150 pcs.	150 pcs.	240 pcs.	240 pcs.
CRI	RA > 70							
Beam angle	60, 120 degree							
Life time	>50,000 Hrs. (70% lumen maintenance)							
Ambeint temperature	-25°C to +60°C							
Driver	Mean well (meet 6kV surge immunity level, 10kV external surge is option)							
Housing material	Aluminium							
Standard	TIS1955-2551							
Warranty	3 years							

Replace □ Colour temperature ; 730 : 3,000K 740 : 4,000K 757 : 5,700K 765 : 6,500K