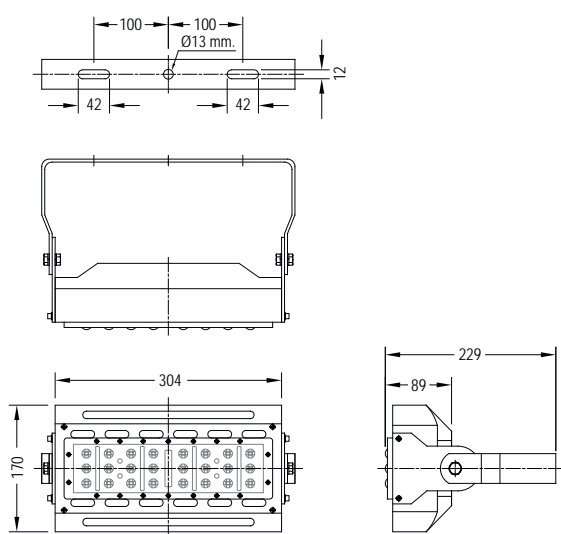


Feature

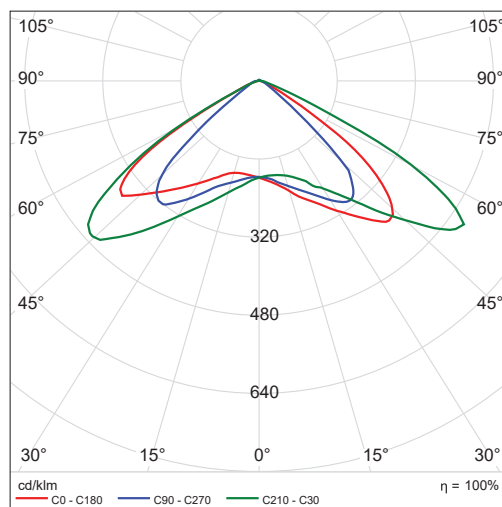
- The tunnel lights are different optics and lenses allow the beam angle to be altered to suit requirements, ideal for tunnel lighting as well as a general-purpose weatherproof floodlight.
- The housing is made of sheet steel and light weight.
- Colour rendering index (CRI) more than 70
- Water and dust protection standards IP65
- Passed the radio disturbance limits TIS1955-2551
- Long lifespan of up to 50,000 hours (L70)
- Light colors 730, 740, 757 and 765



Dimension in mm.



Luminous Intensity Distribution



Cat. No.	AL-TL-30W/ □	AL-TL-40W/ □	AL-TL-50W/ □
Input voltage	110-240V.ac 50/60Hz.		
LED power	30W.	40W.	50W.
Power factor	>0.95		
Lumen output	3,800 lm	4,890 lm	5,930 lm
Luminous efficient	126 lm/W	122 lm/W	118 lm/W
Colour temperature	3,000K ; 4,000K ; 5,700K or 6,500K		
THDi	<15%		
Chip	Cree, Nichia		
LED quantity	112 pcs.	168 pcs.	168 pcs.
CRI	RA > 70		
Beam angle	60-90 degree		
Life time	>50,000 Hrs. (70% lumen maintenance)		
Ambeint temperature	-25°C to +60°C		
Driver	Mean well (meet 6kV surge immunity level, 10kV external surge is option)		
Housing material	Sheet steel		
Standard	TIS1955-2551		
Warranty	3 years		

Replace □ Colour temperature ; 730 : 3,000K 740 : 4,000K 757 : 5,700K 765 : 6,500K