

Application

- The VH ceiling saddles are designed for
- suspending the lighting fixtures from vertical conduit support.
 - support fluorescent lighting fixtures at dummy size that no need the wire connecting.
 - Furnished with a loop for conduit passage, maximum to 1 inch conduit size.

Specification

Body material : Marine grade copper-free aluminium alloy with polyester powder coated, RAL 7032 (Grey)

Ordering Requirements

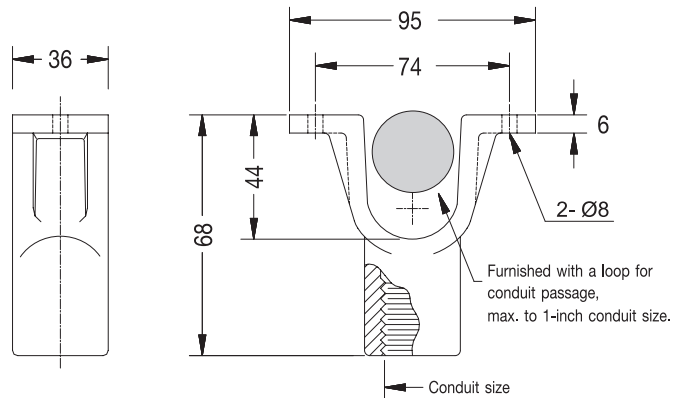
Cat. No.	Conduit size	Approx. Weight (kgs.)
VH 1	Ø1/2" NPT	0.141
VH 2	Ø3/4" NPT	0.218

Technical Data

Protection	Corrosion resistant
Maximum supporting	40 kgs. of fixture weight



Dimension



A
B
C
D
E
F
G
H