

Application

The TBE1 terminal boxes are designed for taps, splices or connecting of conductors for control and instrument. These boxes are suitable for explosive atmospheres zone 1, 2 and zone 21, 22.

Specification

Housing material : Marine grade copper-free aluminium alloy with polyester powder coated, RAL 7032 (Grey)
 Sealing (O-ring) : Silicone -40°C to +175°C
 Lid screws : Stainless steel, SUS 304

Electrical Rating

Rated voltage : up to 630V.
 Rated current : up to 41A.
 (depending on type of terminal used)

Option

please specify

- Terminal sizes and number of poles.

Technical Data

Hazardous Area	Gas	Dust
Zones	1 & 2	21 & 22
Equipment Group/Category	II 2G	II 2D
Symbol of Protection	Ex e II T6/T5	Ex tD A21 IP66 T85°C/ T100°C
Certificate	PTB 04 ATEX 1090	
Conformity to Standards	EN 60079-0:2006, EN 60079-7:2007, EN 61241-0:2006, EN 61241-1:2004	
Ambient Temperature	-20°C to +55°C	
Index of Protection	IP66	
Entries	NPT or Metric threads	
Mounting	Wall mount	



TBE1 1111



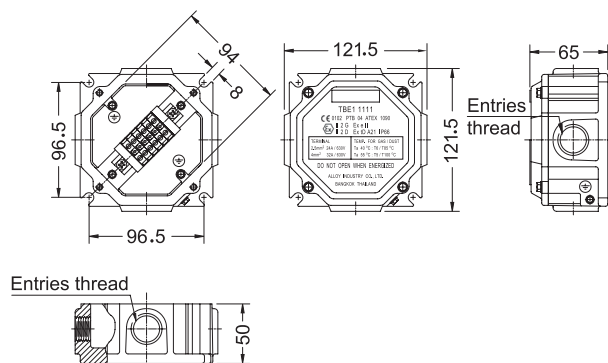
TBE1 1414

Ordering Requirements

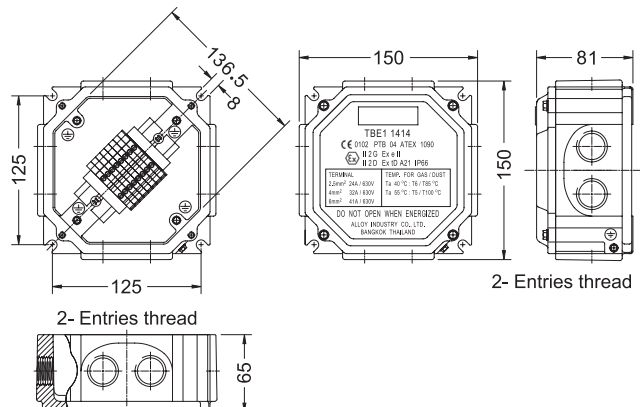
Cat. No.	Terminal Block, Ex e (Pin type)					Maximum Terminal Block (Poles)	Maximum entries thread size NPT (Metric)			Empty Weight (kgs.)	
	Brand	Model	Wire Size	Current	Voltage		Ø1/2" (M20x1.5)	Ø3/4" (M25x1.5)	Ø1" (M32x1.5)		
TBE1 1111	ABB Entelec	DR4/6.Ex	0.5-4mm. ²	30A.	275V.	6	1	1	-	0.87	
	Phoenix Contact	MUT 4	0.5-4mm. ²	32A.	352V.						
TBE1 1414	ABB Entelec	ZS4	0.5-4mm. ²	32A.	630V.	8	2	2	1	1.65	
		ZS6	0.5-6mm. ²	41A.							
	Phoenix Contact	UK 3 N	0.5-2.5mm. ²	23A.	690V.						9
		UK 5 N	0.5-4mm. ²	30A.							8
		UK 6 N	1.5-6mm. ²	41A.		7					

Dimension

TBE1 1111



TBE1 1414



Terminal Box Specification Sheet, Cat. No. TBE1 1111 (Certificate number PTB 04 ATEX 1090)

Increased Safety and Dust protection by enclosure

Zone 1 & 2 – 21 & 22



Project: _____ Date: _____
 Customer: _____ Owner: _____
 Contact person: _____
 Tel: _____ Fax: _____ E-mail: _____

Quantity (Set)	
----------------	--

Screw Clamp Terminal Block (TB) Specifications, Ex e type



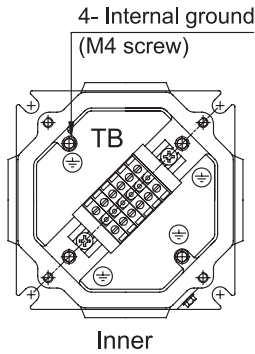
Brand: **ABB ENTRELEC** (Certificate number LCIE 02 ATEX 0017 U)

Model: DR4/6.Ex 0.5-4.0 mm.² wire size, 30A. 275V. Q'ty _____ Poles (6-Poles maximum)

Marker No. _____

Jumper Bar _____ Poles _____ Sets (for Marker No. _____)

_____ Poles _____ Sets (for Marker No. _____)



Brand: **PHOENIX CONTACT** (Certificate number SEV 13 ATEX 0178 U)

Model: MUT 4 0.5-4.0 mm.² wire size, 32A. 352V. Q'ty _____ Poles (6-Poles maximum)

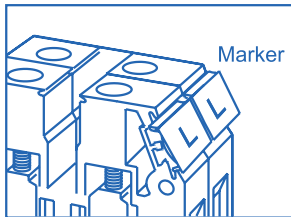
Marker No. _____

Jumper Bar _____ Poles _____ Sets (for Marker No. _____)

_____ Poles _____ Sets (for Marker No. _____)

Note: _____

Example



Brand: **ABB ENTRELEC** (Certificate number LCIE 02 ATEX 0017 U)

Model: DR4/6.Ex 0.5-4.0 mm.² wire size, 30A. 275V. Q'ty 6 Poles (6-Poles maximum)

Marker No. L, L, N, N, E, E

Jumper Bar 2 Poles 2 Sets (for Marker No. L, N)

Entries Threads

 Top view	Maximum entries Ø3/4" NPT or M25x1.5	<input type="checkbox"/> Top view 1-hole (center) <input type="checkbox"/> Bottom view 1-hole (center)
 Left view	 Front view	<input type="checkbox"/> Left view 1-hole (center)
 Right view	External ground	<input type="checkbox"/> Right view 1-hole (center)
 Bottom view		<input type="checkbox"/> Nameplate (NP) Letters _____ Material; Acrylic multipolymer (10 x 40mm.) Legend colour; Black letter, white background Maximum no. of letters; 8 letters



Terminal Box Specification Sheet, Cat. No. TBE11414 (Certificate number PTB 04 ATEX 1090)

Increased Safety and Dust protection by enclosure

Zone 1 & 2 – 21 & 22

Project: _____ Date: _____

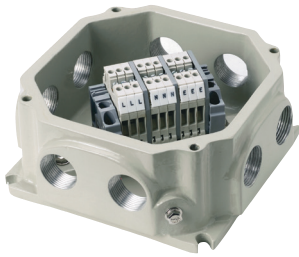
Customer: _____ Owner: _____

Contact person: _____

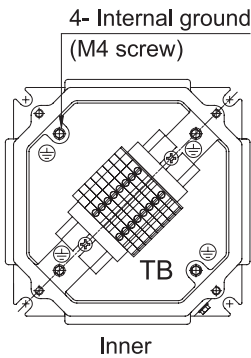
Tel: _____ Fax: _____ E-mail: _____

Quantity (Set)	
----------------	--

Screw Clamp Terminal Block (TB) Specifications, Ex e type



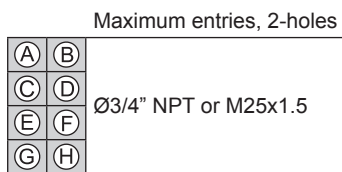
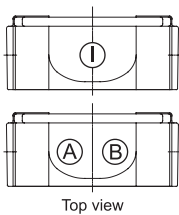
- Brand: **ABB ENTRELEC** (Certificate number LCIE 08 ATEX 0007 U)
- Model: ZS4 0.5-4.0 mm.² wire size, 32A. 630V. Q'ty _____ Poles (8-Poles maximum)
- Marker No. _____
- Jumper Bar _____ Poles _____ Sets (for Marker No. _____)
- Model: ZS6 0.5-6.0 mm.² wire size, 41A. 630V. Q'ty _____ Poles (8-Poles maximum)
- Marker No. _____
- Jumper Bar _____ Poles _____ Sets (for Marker No. _____)



- Brand: **PHOENIX CONTACT** (Certificate number KEMA 04 ATEX 2048 U)
- Model: UK 3 N 0.5-2.5 mm.² wire size, 23A. 690V. Q'ty _____ Poles (9-Poles maximum)
- Marker No. _____
- Jumper Bar _____ Poles _____ Sets (for Marker No. _____)
- Model: UK 5 N 0.5-4.0 mm.² wire size, 30A. 690V. Q'ty _____ Poles (8-Poles maximum)
- Marker No. _____
- Jumper Bar _____ Poles _____ Sets (for Marker No. _____)
- Model: UK 6 N 1.5-6.0 mm.² wire size, 41A. 690V. Q'ty _____ Poles (7-Poles maximum)
- Marker No. _____
- Jumper Bar _____ Poles _____ Sets (for Marker No. _____)

Note: _____

Entries Threads



Top view

2-holes

A	
B	

1-hole (center)

I	
---	--

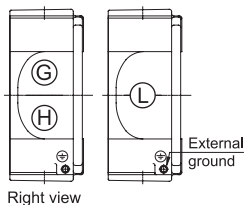
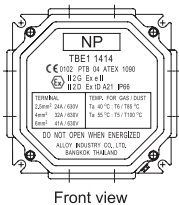
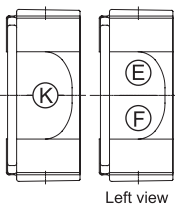
Bottom view

2-holes

C	
D	

1-hole (center)

J	
---	--



Left view

2-holes

E	
F	

1-hole (center)

K	
---	--

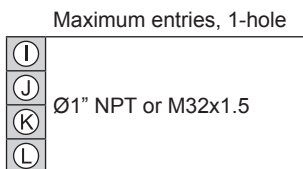
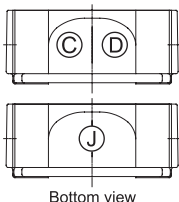
Right view

2-holes

G	
H	

1-hole (center)

L	
---	--



Nameplate (NP)

Letters	
---------	--

Material; Acrylic multipolymer (15 x 50mm.)
Legend colour; Black letter, white background
Maximum no. of letters; 12 letters