

Lighting: Fluorescent Lighting Fixture, DNGV Series



Flameproof and Dust protection by enclosure

Zone 1 & 2 – 21 & 22

Specification

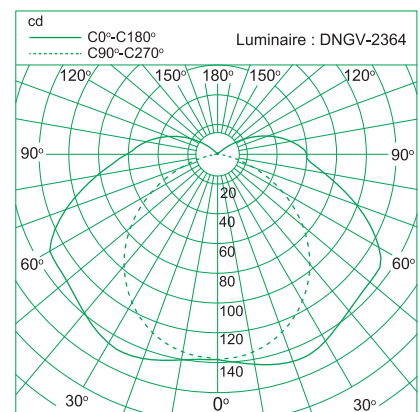
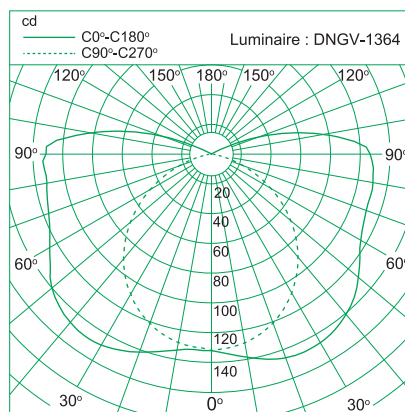
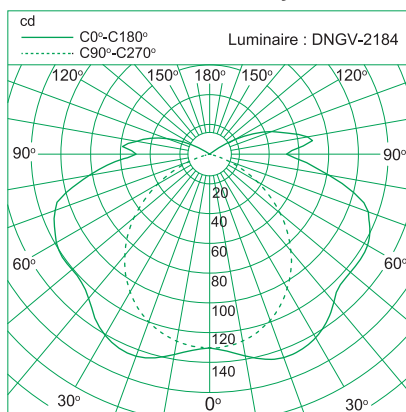
- Body material : Marine grade copper-free aluminium alloy with polyester powder coated, RAL 7032 (Grey)
- Tube : Borosilicate glass
- Internal reflector : Stainless steel
- Sealing gasket : Silicone

Technical Data

Hazardous Area	Gas	Dust
Zones	1 & 2	21 & 22
Equipment Group/Category	Ex d IIB 2G	Ex d IIB 2D
Symbol of Protection	Ex d IIB T4, T5 or T6	Ex tD A21 IP66 T135°C, T100°C or T85°C
Certificate	PTB 08 ATEX 1018 IECEx PTB 08.0014	
Conformity to Standards	EN 60079-0:2006, EN 60079-1:2004, EN 61241-0:2006, EN 61241-1:2004 IEC 60079-0:2004, IEC 60079-1:2003, IEC 61241-0:2004, IEC 61241-1:2004	
Ambient Temperature	-20°C to +50°C/ +55°C	
Index of Protection	IP66	
Entries	2- M20x1.5, 2- M25x1.5 or 2- Ø3/4" NPT (1-stopping plug)	
Mounting	Ceiling (standard), Pendant or Bracket	
Connection	L, N and E ; for 1-4mm. ² cable (Through wiring system with an extra terminal block for cable connection at both ends.)	
Rated Voltage	220/ 230/ 240V.ac ±5 50Hz. (P.F. ≥ 0.98)	



Polar Luminous Intensity Distribution



Complete photometrics, please contact us.



Lighting: Fluorescent Lighting Fixture, DNGV Series



Flameproof and Dust protection by enclosure

Zone 1 & 2 – 21 & 22

Catalogue Number Logic

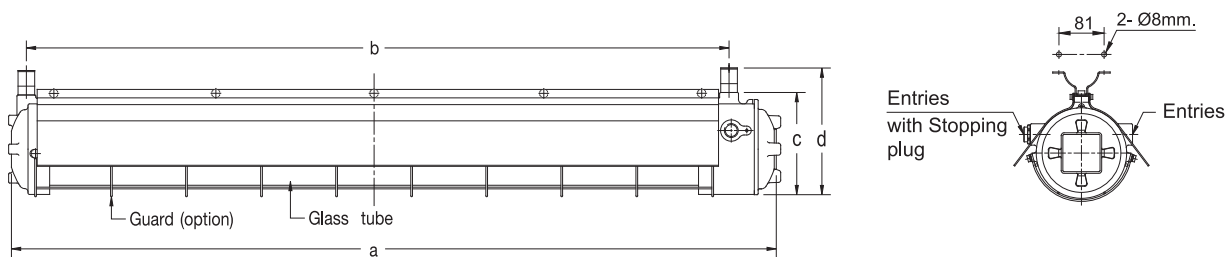
DNGV -	■ ■ ■ ■	■	■	-	□	-	□ □	□ □
Series	Lamp Watt (see ordering requirement table below)	Ballast Type none Electronic ballast M Electromagnetic ballast	Voltage none 220V.ac 3 220-230V.ac 4 220-240V.ac	Accessories G Protective guard R External reflector E Emergency unit	Entries M1 M20x1.5 M2 M25x1.5 N2 3/4" NPT	Mounting C Ceiling (standard) C1 Ceiling (for pipe), Fixed C2 Ceiling (for pipe), Swing P1 Pendant (for chain) P2 Pendant (for pipe) B Bracket		

Ordering Requirements and Dimension

Cat. No.	Lamp Watt	Voltage	Ballast	Temp. Class (for zone 1 & 2)		Max. Surface Temp.* (for zone 21 & 22)			Volume (dm ³)	Dimension in mm.				Approx. Weight (kgs.)
				Ta 40°C	Ta 55°C	Ta 40°C	Ta 55°C	Ta 40°C		Ta 55°C	a	b	c	
T8 Fluorescent Lamp														
DNGV-118M - □	1x 18W.	220V.ac	Electromagnetic "Philips"	T5	T4	T100°C	T135°C	17.09	759	657	184	228	9.10	
DNGV-218M - □	2x 18W.	50Hz.		T6	T5	T85°C	T100°C	19.25	1377	1275	184	228	15.09	
DNGV-136M - □	1x 36W.	220V.ac		T5	T4	T100°C	T135°C	17.09	759	657	184	228	9.10	
DNGV-236M - □	2x 36W.			50Hz.	T4	T4	T135°C	T135°C	19.25	1377	1275	184	228	15.55
DNGV-118M4 - □	1x 18W.	220-240V.ac	Electromagnetic "Vossloh-Schwabe"	T5	T4	T100°C	T135°C	17.09	759	657	184	228	9.10	
DNGV-218M4 - □	2x 18W.	50Hz.		T4	T4	T135°C	T135°C	19.25	1377	1275	184	228	15.09	
DNGV-136M4 - □	1x 36W.	220-240V.ac		T4	T4	T135°C	T135°C	17.09	759	657	184	228	9.10	
DNGV-236M4 - □	2x 36W.			50Hz.	T5	T4	T100°C	T135°C	19.25	1377	1275	184	228	15.55

Cat. No.	Lamp Watt	Voltage	Ballast	Temp. Class (for zone 1 & 2)			Max. Surface Temp.* (for zone 21 & 22)			Volume (dm ³)	Dimension in mm.				Approx. Weight (kgs.)
				Ta 40°C	Ta 50°C	Ta 55°C	Ta 40°C	Ta 50°C	Ta 55°C		a	b	c	d	
T5 Fluorescent Lamp															
DNGV-1144 - □	1x 14W.	220-240V.ac	Electronic "Vossloh-Schwabe" (ELXc)	T6	-	T6	T85°C	-	T85°C	17.09	759	657	184	228	12.09
DNGV-2144 - □	2x 14W.	50/60Hz.		T6	-	T6	T85°C	-	T85°C	19.25	1377	1275	184	228	12.28
DNGV-1284 - □	1x 28W.	220-230V.ac		T6	T6	-	T85°C	T85°C	-	17.09	759	657	184	228	15.45
DNGV-2284 - □	2x 28W.			50Hz.	T6	T6	-	T85°C	T85°C	-	19.25	1377	1275	184	228
DNGV-1143 - □	1x 14W.	220-230V.ac	Electronic "Philips" (EB-E)	T6	T6	-	T85°C	T85°C	-	17.09	759	657	184	228	12.09
DNGV-2143 - □	2x 14W.	50Hz.		T6	T6	-	T85°C	T85°C	-	19.25	1377	1275	184	228	12.28
DNGV-1283 - □	1x 28W.	220-230V.ac		T6	T6	-	T85°C	T85°C	-	17.09	759	657	184	228	15.45
DNGV-2283 - □	2x 28W.			50Hz.	T6	T6	-	T85°C	T85°C	-	19.25	1377	1275	184	228

Lighting source; cool white (6500K) are standard and/or warm white (3000K), please specify.



Remark *: The maximum surface temperatures are specified for dust free condition. The dust layer which may cover around the lighting fixture will cause to higher surface temperature.

Lighting: Fluorescent Lighting Fixture, DNGV Series



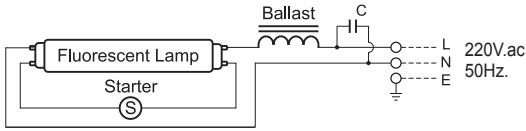
Flameproof and Dust protection by enclosure

Zone 1 & 2 – 21 & 22

Wiring Diagram

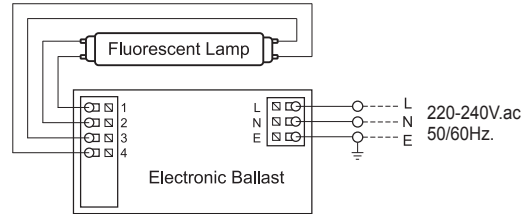
Electromagnetic ballast for fluorescent lamp;

1 x 14W., 1x 28W., 1x 18W. and 1x 36W.



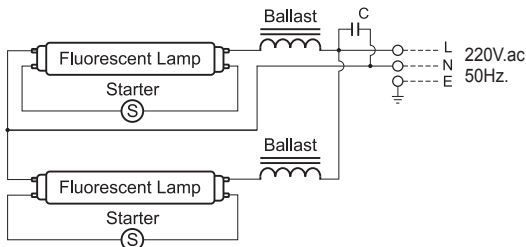
Electronic ballast for fluorescent lamp;

1x 14W., 1x 28W., 1x 18W. and 1x 36W.



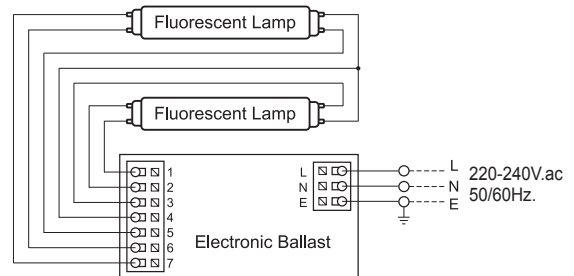
Electromagnetic ballast for fluorescent lamp;

2x 14W., 2x 28W., 2x 18W. and 2x 36W.



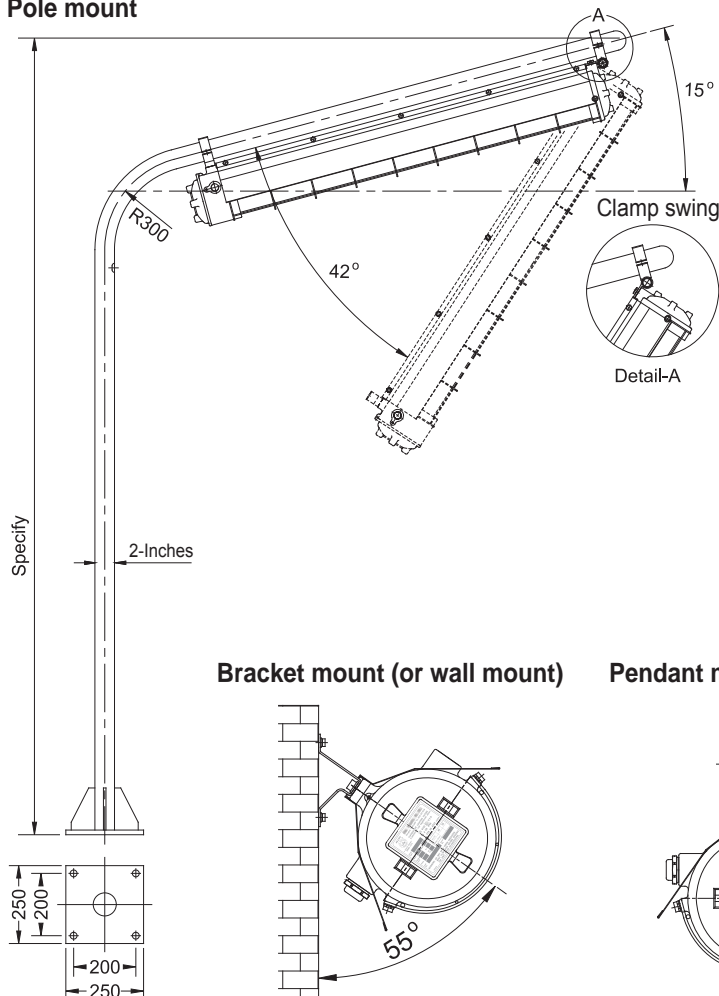
Electronic ballast for fluorescent lamp;

2x 14W., 2x 28W., 2x 18W. and 2x 36W.

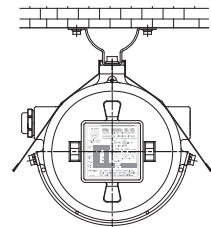


Installation Information

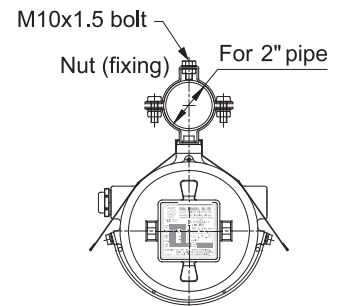
Pole mount



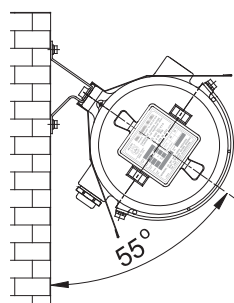
Ceiling mount (standard)



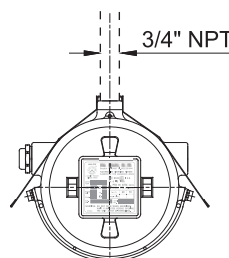
Ceiling mount (for pipe)



Bracket mount (or wall mount)



Pendant mount (for pipe)



Pendant mount (for chain)

