

Fixture Accessories: Fixture Hanger, EBH Series

Flameproof and Dust protection by enclosure

Zone 1 & 2 – 22



Application

The EBH fixture hangers are designed for suspension or pipe pendant mounting of the lighting fixtures. They are suitable for use in zone 1, 2 and zone 22 explosive atmospheres.

Specification

Body material : Marine grade copper-free aluminium alloy with polyester powder coated, RAL 7032 (Grey)

Technical Data

Hazardous Area	Gas	Dust
Zones	1 & 2	22
Equipment Group/Category	II 2G	II 3D
Symbol of Protection	Ex d IIB Gb	Ex tc IIIB Dc IP54
Conformity to Standards	EN IEC 60079-0:2018, EN 60079-1:2014, EN 60079-31:2014	
Ambient Temperature	-20°C to +75°C	
Index of Protection	IP54	

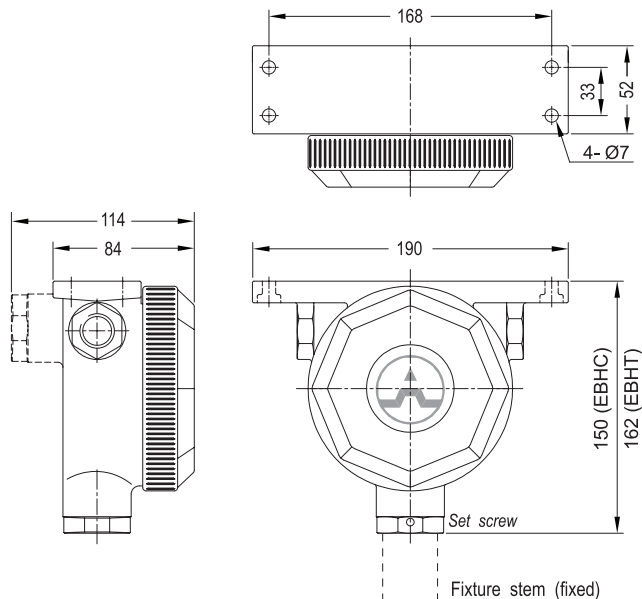
Catalogue Number Logic

EBH	■	■	■
Series	Type	Entries	Fixture stem
C	2-hubs straight	1 Ø1/2" NPT	1 Ø1/2" NPT
T	3-hubs	2 Ø3/4" NPT	2 Ø3/4" NPT

Ordering Requirements

Cat. No.	Diagram	Entries Thread	Fixture Stem Size	Volume (dm ³)	Approx. Weight (kgs.)
2- Hubs straight					
EBHC 11		Ø1/2" NPT	Ø1/2" NPT	0.52	1.505
EBHC 12			Ø3/4" NPT		
EBHC 21		Ø3/4" NPT	Ø1/2" NPT	0.52	1.465
EBHC 22			Ø3/4" NPT		
3- Hubs					
EBHT 11		Ø1/2" NPT	Ø1/2" NPT	0.52	1.603
EBHT 12			Ø3/4" NPT		
EBHT 21		Ø3/4" NPT	Ø1/2" NPT	0.52	1.603
EBHT 22			Ø3/4" NPT		

Dimension



EBHC



EBHT

