

### Application

The EAH fixture hangers are designed for suspension or pipe pendant mounting of the lighting fixtures. They are suitable for use in zone 1, 2 and zone 22 explosive atmospheres.

### Specification

Body material : Marine grade copper-free aluminium alloy with polyester powder coated, RAL 7032 (Grey)



### Technical Data

<b>Hazardous Area</b>	<b>Gas</b>	<b>Dust</b>
<b>Zones</b>	1 & 2	22
<b>Equipment Group/Category</b>	II 2G	II 3D
<b>Symbol of Protection</b>	Ex d IIB Gb	Ex tc IIIB Dc IP54
<b>Conformity to Standards</b>	EN IEC 60079-0:2018, EN 60079-1:2014, EN 60079-31:2014	
<b>Ambient Temperature</b>	-20°C to +75°C	
<b>Index of Protection</b>	IP54	

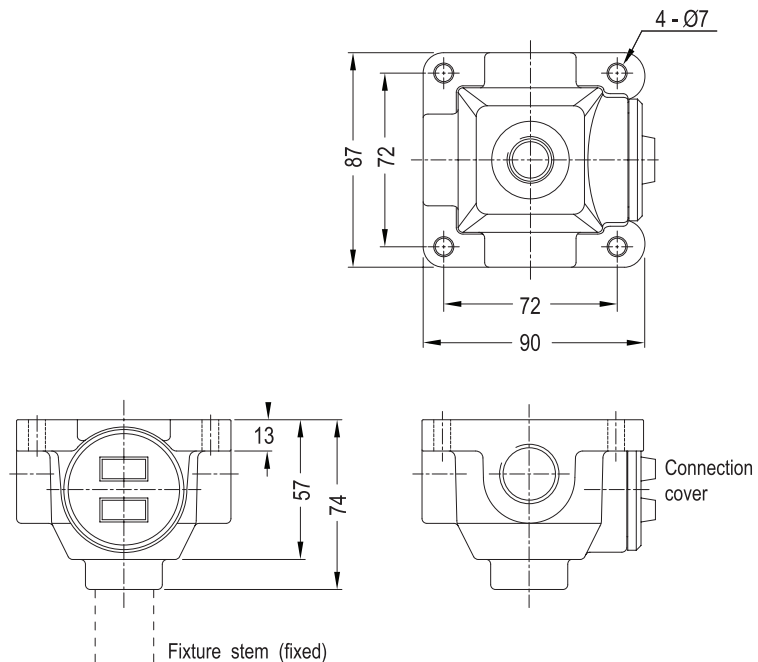
### Catalogue Number Logic

<b>EAH</b>	■	■	■
<b>Series</b>	<b>Type</b>	<b>Entries</b>	<b>Fixture stem</b>
C	2-hubs straight	1 Ø1/2" NPT	1 Ø1/2" NPT
T	3-hubs	2 Ø3/4" NPT	2 Ø3/4" NPT

### Ordering Requirements

Cat. No.	Diagram	Entries Thread	Fixture Stem Size	Volume (dm³)	Approx. Weight (kgs.)
<b>2- Hubs straight</b>					
EAHC 11		Ø1/2" NPT	Ø1/2" NPT	0.10	0.708
EAHC 12			Ø3/4" NPT	0.11	
EAHC 21		Ø3/4" NPT	Ø1/2" NPT	0.11	0.698
EAHC 22			Ø3/4" NPT	0.12	
<b>3- Hubs</b>					
EAHT 11		Ø1/2" NPT	Ø1/2" NPT	0.11	0.786
EAHT 12			Ø3/4" NPT	0.12	
EAHT 21		Ø3/4" NPT	Ø1/2" NPT	0.13	0.778
EAHT 22			Ø3/4" NPT	0.13	

### Dimension



**Note :** For entries by conduit, the sealing fitting and compound (flame arresting element) shall be used at the point of entries to lighting fixture.